



PTFE Seals

Design Guide





WARNING: These products can expose you to chemicals including carbon black (airborne and extracts), antimony trioxide, titanium dioxide, silica (crystalline), di(2-ethylhexyl)phthalate, ethylene thiourea, acrylonitrile, 1,3-butadiene, epichlorohydrin, toluenediisocyanate, tetrafluoroethylene, ethylbenzene, formaldehyde, furfuryl alcohol, glass fibers, methyl isobutyl ketone, nickel (metallic and compounds), lead and lead compounds which are known to the State of California to cause cancer; and 1,3-butadiene, epichlorohydrin, di(2-ethylhexyl)phthalate, di-isodecyl phthalate, ethylene thiourea, methyl isobutyl ketone, methanol, toluene, lead and lead compounds which are known to the State of California to cause birth defects and other reproductive harm. For more information go to www.P65Warnings.ca.gov

Parker Prädifa's PTFE sealing solutions are used in a variety of markets including fluidpower, aerospace, automotive, oil and gas, life sciences and renewable energies.

PTFE seals are suitable for use in harsh environments with temperatures ranging from cryogenic to 300 °C in combination with highly aggressive media. Mixing virgin PTFE powder with diverse fillers provides PTFE with specific properties.

For high-speed dynamic applications or extreme pressures, Parker's proprietary Polon® PTFE grades and special seal designs are used. Sealing elements or backup rings made from other engineering polymers such as PEEK, PAI or PI complement the product range for applications where combined pressure and temperature loads push the limits of PTFE-based seals. Continuous in-house research and development in the field of ultra-high-strength thermoplastic composite materials results in solutions for even the most demanding application requirements.

In-house machining technology enables the production of PTFE seals in diameters ranging from 0.5 mm to 4.5 meters. Clean-room manufacturing facilities are available as well for respective requirements, for instance in the medical device technology and life sciences sector.

This design manual is intended as a guide. In case of special operating conditions or requirements, please contact our consultancy service or your local sales representative.

Engineering your success!



PTFE powder, semi-finished shape and final machined product

Parker's safety programme

Warning - user responsibility

This document and other information from Parker Hannifin Corporation, its subsidiaries and authorized distributors provide product or system options for further investigation by users having technical expertise.

The user, through its own analysis and testing, is solely responsible for making the final selection of the system and components and assuring that all performance, endurance, maintenance, safety and warning requirements of the application are met. The user must analyze all aspects of the application, follow applicable industry standards, and follow the information concerning the product in the current product catalogue and in any materials provided by Parker or its subsidiaries or authorized distributors. To the extent that Parker or its subsidiaries or authorized distributors provide component or system options based upon data or specifications provided by the user, the user is responsible for determining that such data and specifications are suitable and sufficient for all applications and responsibly foreseeable uses of the components or systems.

Range of application

Our seals may only be used within the application parameters stated in our documents as regards compatibility with contact media, pressures, temperatures and time of storage. Application or use outside of the specified application parameters as well as the selection of different compounds by mistake may result in damage to life, the environment and/or equipment and facilities.

The information contained in our publications is based on know-how developed over decades of experience in the manufacturing and application of seals. Despite this experience, unknown factors arising out of the practical application of seals may considerably affect the overall applicability of this information in such a way that the recommendations provided herein are not to be considered generally binding.

The data for operating pressure, operating temperature, and surface speed stated in the columns represent maximum values and are interrelated. Under extreme working conditions it is recommended not to use all maximum values simultaneously.

For special requirements (pressure, temperature, speed, etc.) please contact our consultancy service, so that suitable materials and/or designs can be recommended.

Compatibility of seals and operating media / cleaning agents

Due to the great diversity of operational parameters affecting fluidic devices and their impact on seals, it is absolutely imperative that manufacturers of these devices approve seals for functional and operational suitability under field conditions.

Furthermore, in view of the consistent increase of newly available media used as hydraulic oils, lubricants, and cleaning agents, special attention is invited to the aspect of compatibility with sealing elastomers currently in use.

Additives contained in base media in order to enhance certain functional characteristics may affect compatibility characteristics of sealing materials.

For this reason, it is imperative that any product equipped with our seals be tested for compatibility with operational media or cleaning agents ap-

proved or specified by you either at your plant or by means of field tests prior to any field use.

We kindly ask you to comply with this notice since, as a manufacturer of seals, we are not in a position, as a matter of principle, to perform simulations of any and all conditions present in the final application nor of knowing the composition of the operational media and cleaning agents used.

Design modifications

We reserve the right to make design modifications without prior notification.

Prototypes and samples

Prototypes and samples are produced from experimental moulds. The subsequent series production may differ in terms of production techniques from the prototype production unless specific agreement to the contrary was reached beforehand.

Delivery and services

The delivery guarantee (availability of moulds) for individual dimensions of our range of products is limited to a period of 7 years.

Damaged moulds, including standard items, can only be replaced in case of sufficient demand. Most of the dimensions stated in this catalogue are normally (but not as a matter of course) available ex stock.

For the production of smaller quantities, special compounds, and in case of special production procedures, we reserve the right of charging a prorated share of set-up costs.

All deliveries and services are subject to our terms.

Quality systems

Our manufacturing sites are certified according to ISO 9001 and/or ISO/TS 16949 and/or EN9100.

Copyright

All rights reserved by Parker Hannifin Corporation. Extracts may only be taken with permission. Modification rights reserved.

Validity

This edition supersedes all prior documents.

1 When to use PTFE seals	7	NRI	64
1.1 Characteristics of PTFE	7	HRI	66
1.2 The effect of fillers	7	NRE	68
1.3 Processing and machining of PTFE parts	8	HRE	70
1.4 Comparison with other polymer materials	9	3.4 Non-standard FlexiSeal® types	72
2 PTFE product lines	11	3.4.1 Radial seals for rotary, reciprocating and static sealing	72
2.1 Master decision tree	11	3.4.1.1 Asymmetrical lip length	72
2.2 FlexiSeals®	12	3.4.1.2 Asymmetrical lip thickness	72
2.3 Slipper Seals®	13	3.4.1.3 Semi-exposed spring	72
2.4 Anti-extrusion rings	14	3.4.2 Radial wipers	72
2.5 Guiding tapes	14	3.4.3 Flanged radial seals for high-speed rotary sealing and cryogenic applications	73
2.6 Other PTFE products	15	3.4.4 Radial rotary seals to fit into standard grooves for elastomeric lip seals	73
2.6.1 PTFE chevron stacks	15	3.4.5 Double-cavity seals to suit large groove sections	73
2.6.2 FlexiCase® seals	15	3.4.6 Trapped anti-blowout seals	74
2.6.3 PTFE bearings	16	3.4.7 Conical seals	74
2.6.4 PTFE bellows	16	3.4.8 Closed seals for sanitary/food applications	74
2.6.5 Custom shapes	16	3.4.9 Double-acting seals	74
3 FlexiSeal®	17	3.4.10 Seals with canted coil spring	74
3.1 What is a FlexiSeal® and how does it work	17	3.4.11 Shaped seals	75
3.2 FlexiSeal® standard part number nomenclature	17	3.4.12 FlexiSeals® for standard O-ring grooves	75
3.3 How to select the FlexiSeal® type for your application	18	3.5 FlexiSeal® material selection	75
3.3.1 Static and intermittently dynamic applications	19	3.5.1 Jacket material	75
3.3.2 Dynamic rotating applications	20	3.5.2 Energizer material	77
3.3.3 Dynamic reciprocating applications	21	3.6 Technical information	78
3.3.4 Selecting the FlexiSeal® size for your application	21	3.6.1 Groove design and installation guidelines	78
NAA	24	3.6.1.1 Two-piece grooves or open groove configuration	78
NHA	26	3.6.1.1.1 Heel-first installation	79
FLO	28	3.6.1.1.2 Lips-first installation	79
FLS	30	3.6.1.2 Step-cut grooves or partially closed-groove configuration	79
JDO	32	3.6.1.2.1 Step-cut groove in rod mode	80
NLI	34	3.6.1.2.2 Step-cut groove in piston mode	80
SLI	36	3.6.1.3 Closed-groove configuration	80
NLO	38	3.6.1.3.1 Piston seal installation in closed-groove	81
SLO	40	3.6.1.3.2 Rod seal installation in closed-groove	82
NLA	42	3.6.1.4 Alternative grooves with snap ring retainer	82
BAI	44	3.6.2 Hardware surface finish and hardness	83
BHI	46	3.6.2.1 Mating surface finish recommendations	83
BAO	48	3.6.2.2 Mating surface hardness recommendations	83
BHO	50	3.6.3 Friction information	84
NAI	52	3.6.4 Pressure capability battling extrusion gaps	85
NHI	54	3.6.5 Shaft eccentricity and runout	86
NAE	56	3.6.6 Pressure-velocity guidelines for rotary FlexiSeals®	87
NHE	58	3.6.7 Spring design	87
NLF	60	3.6.7.1 Helical springs	88
NLG	62		

Contents

3.6.7.2 Cantilever springs	89	7 Appendices	189
3.6.7.3 Full contact cantilever springs	89	7.1 Conversion tables	189
3.6.7.4 Canted coil springs	89	7.2 Leak rate equivalents	190
3.6.8 Lip design	90	7.3 Application data sheet	191
3.6.8.1 Chamfered lip	90		
3.6.8.2 Wiper lip	90		
3.6.8.3 Beaded lip	90		
4 Slipper Seals®	91		
4.1 What is a Slipper Seal® and how does it work	91		
4.2 Slipper Seal® standard part number nomenclature	91		
4.3 How to select the Slipper Seal® type for your application	91		
4.4 Selecting the Slipper Seal® size for your application	92		
OC	96		
OD	98		
ON	104		
OM	110		
CR	113		
OA	117		
OG	121		
OE	126		
OT	131		
AT	138		
AD	142		
OR	148		
OQ	153		
4.5 Slipper Seal® material selection	158		
4.5.1 Dynamic element	158		
4.5.2 O-ring	159		
4.6 Installation guidelines	159		
4.6.1 Piston seals	159		
4.6.2 Rod seals	160		
5 Anti-extrusion rings	163		
5.1 Anti-extrusion rings for FlexiSeals®	163		
XA, XB, XC	166		
5.2 Anti-extrusion ring materials	167		
6 Guiding tapes	169		
F2	172		
F3	176		
FS	182		

1 When to use PTFE seals

1.1 Characteristics of PTFE

Seals made from PTFE (Polytetrafluoroethylene) are used where many other sealing materials (like elastomers, PUR, fabric materials, etc.) fail to meet the required temperature range, chemical resistance or friction and wear requirements.

PTFE was discovered by accident in 1938 by Dr. Roy J. Plunkett of Du Pont's Jackson laboratory in New Jersey, USA. While investigating gases related to fluorinated refrigerants, he found that one sample left overnight in a pressurized storage cylinder had polymerised spontaneously to a white, waxy solid. This solid proved to have a unique composition with remarkable properties. The molecular structure of PTFE is based on a linear chain of carbon atoms which are completely surrounded by fluorine atoms. The carbon-fluorine bonds are among the strongest occurring in organic compounds. As a result, PTFE has

- **Thermal stability across a wide temperature range:** PTFE's high melting point (342 °C) and morphological characteristics allow components made from the resin to be used continuously at service temperatures up to 260 °C. Above this temperature the components' physical properties tend to decrease, causing heat-aging and material degradation. PTFE is used at cryogenic temperatures to seal critical media such as liquid nitrogen (-196 °C), liquid hydrogen (-253 °C) and liquid helium (-269 °C). PTFE has the unique ability to resist material degradation, heat-aging and alteration in physical properties during temperature cycling.
- **Low friction/dry running capability:** PTFE has the lowest friction coefficient of any known solid. It has self-lubricating capabilities, offering continuous dry running ability in dynamic sealing applications.
- **Extreme chemical resistance:** The intrapolymer chain bond strengths of PTFE preclude reaction with most chemicals, thereby making them chemically inert at elevated temperatures and pressures with virtually all industrial chemicals and solvents. Only a few media are known to react with PTFE: alkali metals, fluorine and a few fluoro-chemicals such as chlorine trifluoride and oxygen difluoride. PTFE is suitable for contact with food and satisfies FDA requirements.

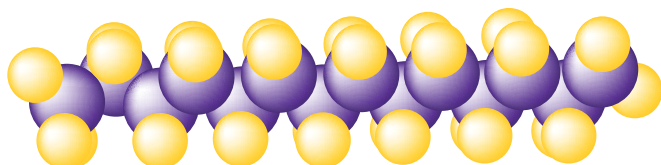


Fig. 1.1 Molecular structure of PTFE (-CF₂-CF₂-)

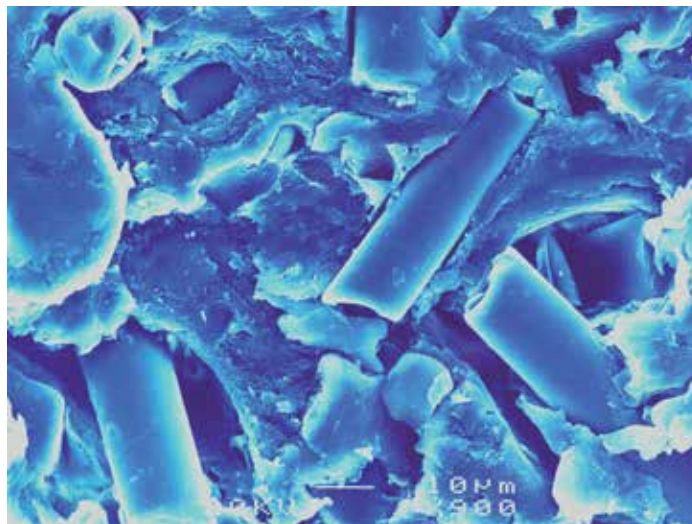


Fig. 1.2 Microscopic picture of fibre-filled PTFE

It is clear that from a sealing point of view, these unique characteristics give PTFE capabilities that exceed those of conventional elastomeric sealing materials.

Other outstanding properties are:

- **Reduced stick-slip**
- **Unlimited shelf life:** PTFE does not age over time and is not affected by ultraviolet light.
- **No explosive decompression:** PTFE is not susceptible to saturation of high-pressure gas that can expand violently and cause explosion of the material when the pressure is suddenly removed.
- **No swelling due to moisture absorption.**
- **Safe for use in vacuum conditions.**
- **Excellent electrical properties:** High dielectric strength, low dielectric constant and very high electrical resistance (depending on the fillers).

1.2 The effect of fillers

In spite of its remarkable properties pure, unfilled or virgin PTFE is inadequate for a number of more demanding engineering applications.

In particular, its cold flow or creep behaviour precluded the use of PTFE in mechanical applications. Even at room temperature, PTFE experiences a significant deformation over time when it is subjected to a continuous load.

Also, virgin PTFE has hardly any resilience and wears quickly despite its low coefficient of friction.

1 When to use PTFE seals

In the 1960's, the addition of fillers was found to improve a number of physical properties, particularly creep and wear rate. Most fillers are stable up to 400 °C, so they do not restrict use in high temperatures.

Listed below are some common filler elements and their effect on the physical properties of the PTFE compound.

Glass fibre

Glass fibre is a commonly used filler element with a positive impact on creep performance of PTFE, which is reduced at low and high temperatures. It also adds wear resistance and offers good compression strength. This additive is chemically inert except in the presence of hydrofluoric acid and strong bases. It has little effect on electrical properties.

Carbon and carbon-graphite

Carbon reduces creep, increases hardness and elevates the thermal conductivity of PTFE. Wear resistance of carbon filled compounds improves particularly in combination with graphite. Carbon is one of the most inert fillers except in oxidizing environments where glass performs better.

Carbon provides some electrical conductivity to PTFE. PTFE filled with carbon is typically used in pneumatic sealing applications. Compounds with carbon in combination with graphite are the preferred materials for non-lubricated applications.

Carbon fibre

The addition of carbon fiber to PTFE changes its properties in the same way as glass fibre does. It lowers creep, increases flex and compressive modulus and raises hardness. In general, less carbon fibre than glass fibre is needed to achieve the same effect. The coefficient of thermal expansion is lowered and thermal conductivity is higher for compounds of carbon fibre filled PTFE. Wear rate decreases when carbon fibre parts are lubricated with water. Carbon fibre is chemically inert and can be used in strong bases and hydrofluoric acid.

Graphite

Graphite is a crystalline modification of high-purity carbon. Graphite filled PTFE has one of the lowest coefficients of friction due to the low friction characteristics of graphite. It has excellent wear properties, particularly against soft mating surfaces and displays high load-carrying capability in high-speed contact applications. Graphite is chemically inert which enables its use in corrosive media.

Bronze

Bronze is a common metallic filler. Large quantities (40 to 60 % by weight) of bronze reduce deformation under load and raise the thermal and electrical conductivity of PTFE compounds. These two characteristics are beneficial to applications where a part is subjected to load at extreme temperatures.

Bronze filled PTFE offers excellent extrusion resistance characteristics. Bronze is an alloy of copper and tin and can be attacked by certain chemicals. Oxidation of the bronze can result in a disc-

colouration of the finished part without impacting on the quality of the product.

PTFE filled with bronze is widely used in hydraulic rod and piston seal applications.

Molybdenum disulfide (MoS₂)

Molybdenum disulfide increases the hardness and stiffness of PTFE while decreasing friction. It has little effect on its electrical properties.

Chemically, is largely non-reactive and dissolves only in strong oxidizing acids.

It is normally used in small weight percentages and in combination with other fillers such as glass fibre.

Aromatic polyester

Aromatic polyester as a filler element raises the high temperature resistance of PTFE and is excellent for use with soft, dynamic mating surfaces.

Not recommended for sealing applications involving steam above 120 °C.

Colour additives

It is possible to pigment PTFE by using inorganic colour additives that withstand the sintering temperature of PTFE. Pigments do not significantly change the properties of PTFE. Combinations of pigments and other fillers are possible.

Proprietary fillers and filler combinations

Parker is continuously striving to search for and develop unique blends and formulations to enhance sealing performance in the most extreme applications.

1.3 Processing and machining of PTFE parts

Generally, PTFE is processed into semi-finished shapes with compression or iso-static moulding techniques. The PTFE resin in the form of a powder (pure or blended with fillers) is compressed into a preform mould at ambient temperature. After removal from the mold, the preformed rod or tube is heated in an oven and sintered. During this process it gains its cohesive strength for end use. For high-volume parts production, PTFE shapes are formed into continuous lengths by means of ram-extrusion. A hydraulic ram moves back and forth, pushing and compressing PTFE powder through an extrusion profile while it is being heated and sintered at the same time.

From the semi-finished rod or tube, the finished PTFE seals are produced by precision-machining.

1 When to use PTFE seals



Fig. 1.3 PTFE powder, semi-finished shape and final machined product

Polymer		Application
UHMW-PE	Ultra-high molecular weight polyethylene	<ul style="list-style-type: none"> • high wear resistance
PEEK	Polyetheretherketone	<ul style="list-style-type: none"> • high strength material for increased extrusion resistance
PCTFE	Polychlorotrifluoroethylene	<ul style="list-style-type: none"> • very low gas permeability • cryogenic environment
PI	Polyimide	<ul style="list-style-type: none"> • high temperature resistance

Tab. 1.1 Other typical polymeric materials and their application range

1.4 Comparison with other polymer materials

Despite the fact that PTFE has outstanding sealing properties, some other polymeric materials may perform better in specific application conditions.

Below is a summary of the most common alternative polymeric materials, their application range and some basic properties.

Tensile strength at break [MPa]

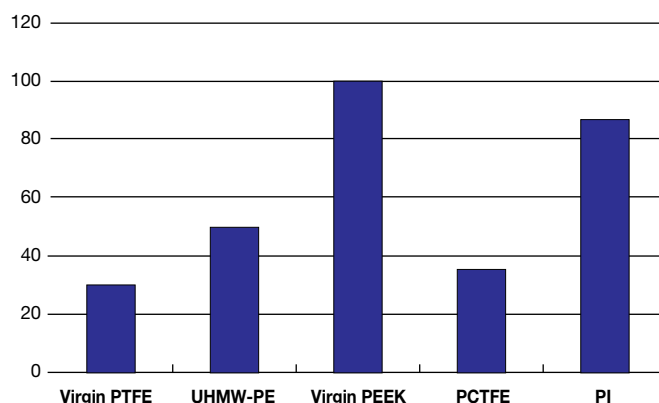


Fig. 1.4 Comparison of tensile strength between PTFE and other polymeric materials

Elongation at break [%]

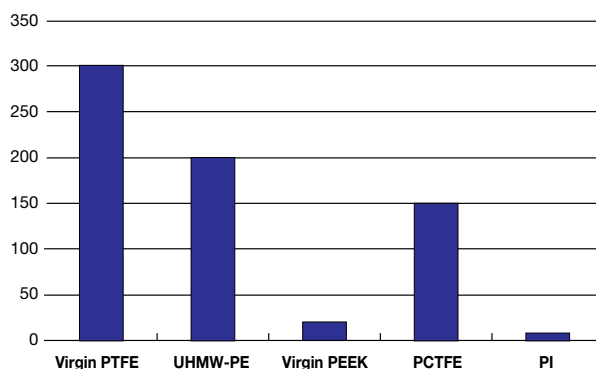


Fig. 1.5 Comparison of elongation properties between PTFE and other polymeric materials

Max. allowable service temperature in air, continuously [°C]

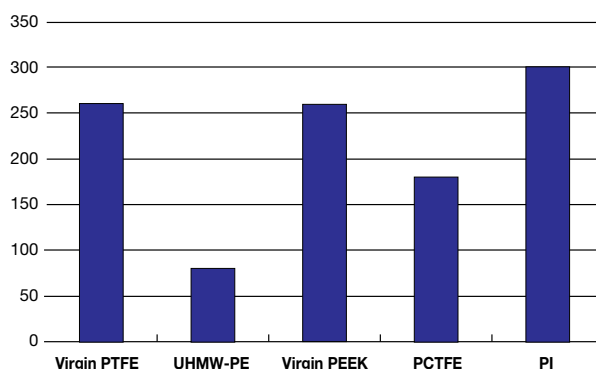


Fig. 1.6 Comparison of temperature properties between PTFE and other polymeric materials

1 When to use PTFE seals

2 PTFE product lines

2.1 Master decision tree

Depending on the type of application, Parker offers various PTFE standard product groups

- FlexiSeals®
- Slipper Seals®
- Anti-extrusion rings
- Guiding tapes

The master decision tree guides you to the standard profil product group that should be the best fit for your application. Just start at the left, begin answering the basic application questions and follow the tree until a standard product group is selected. It is to be used as an engineering guideline only. In many cases several other parameters need to be considered to optimize the seal design.

Please contact Parker's consultancy service or your local sales force for confirmation of your choice or further recommendations.

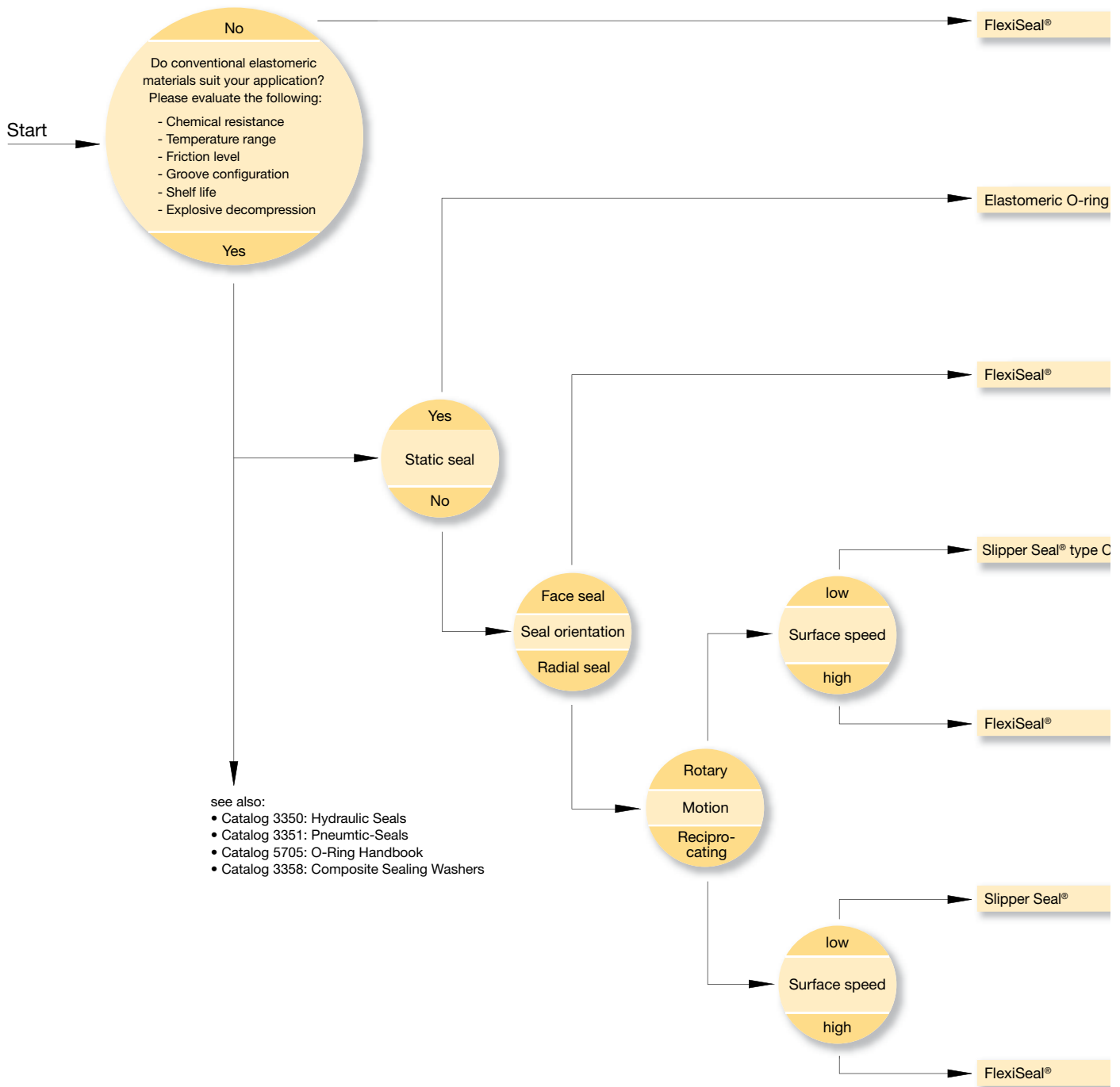


Fig. 2.1 Master decision tree for Parker PTFE standard product lines

2 PTFE product lines

2.2 FlexiSeals®



FlexiSeals® are used where conventional sealing materials (like elastomers, PUR, etc.) fail to meet the required temperature range, chemical resistance or friction requirements of the respective application.

The FlexiSeal® consists of a polymer jacket which is energized by a metallic spring.

FlexiSeals® are available in standard and custom sizes, in a wide variety of profiles, spring types and materials, in rod, piston and face seal configurations.

The use of a resilient spring element ensures positive sealing even at low-pressure and compensates for jacket wall reduction from cold flow, wear and thermal contraction.

The shape of the jacket allows the hydrostatic pressure to energize the seal and supplements the spring force which increases contact pressure and eliminates potential leakage.

Jacket profiles are made from PTFE-based and other high-performance polymer plastics.

Spring types are available in corrosion-resistant metal alloys including stainless steel, Elgiloy®, Inconel® and Hastelloy®.

Fig. 2.2 FlexiSeal®

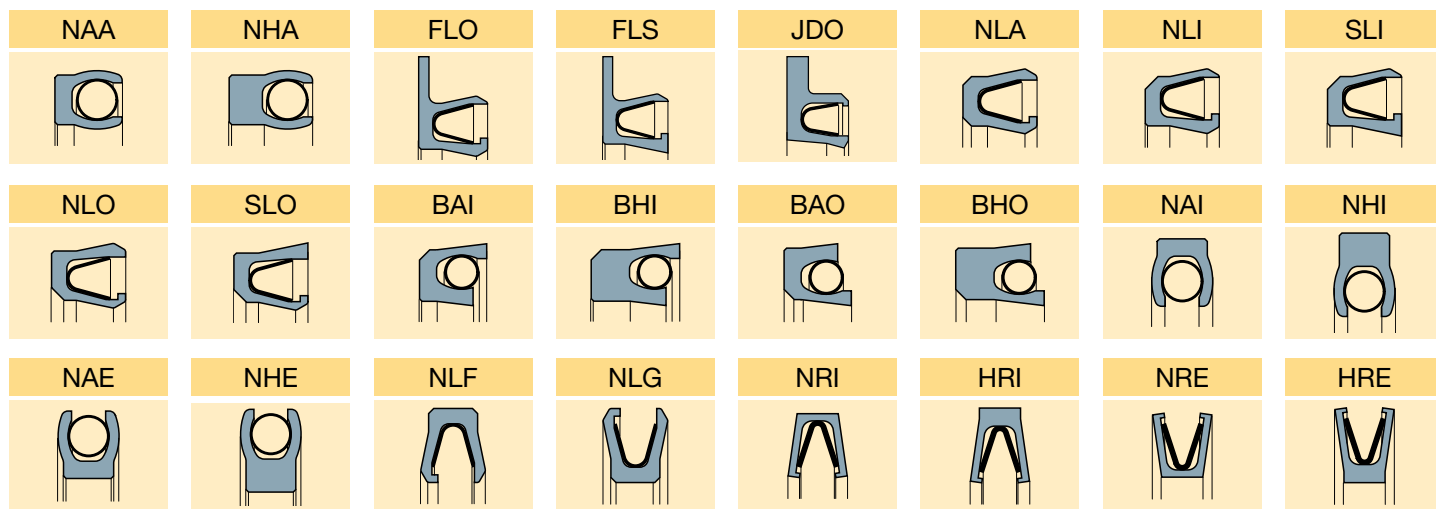


Fig. 2.3 Profile overview FlexiSeal®

2 PTFE product lines

2.3 Slipper Seals®



Slipper Seals® are radial seals that consist of a polymer ring and an elastomeric energizing element. They are typically used in general industrial pneumatic/hydraulic environments where a dynamic sealing element is required. The polymer ring faces the dynamic side of the application while the elastomeric element provides positive sealing at low-pressure and compensates for polymer thickness reduction from wear and cold flow.

A wide variety of profiles is available for reciprocating as well as for rotary applications, both in rod and piston configuration.

The polymer components are typically made of PTFE-based compounds and other high-performance plastic materials. The elastomeric energizer is available in a wide range of materials such as NBR, HNBR, EPDM and FKM.

Fig. 2.4 Slipper Seal®

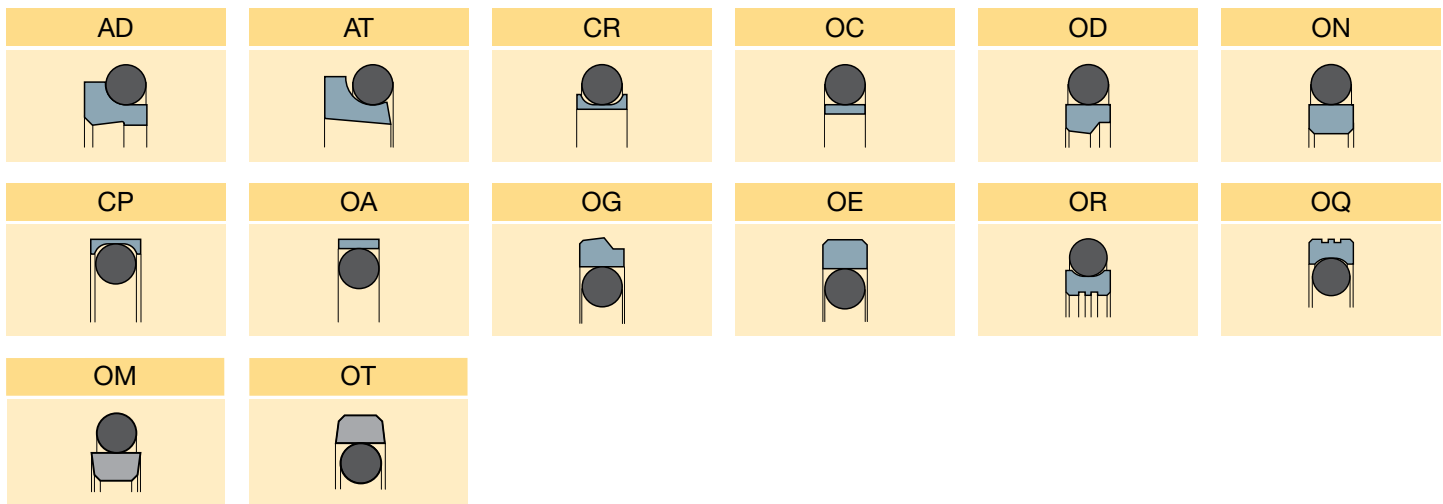


Fig. 2.5 Profile overview Slipper Seals®

2 PTFE product lines

2.4 Anti-extrusion rings



Fig. 2.6 Anti-extrusion ring

Anti-extrusion rings (or back-up rings) are non-sealing elements that prevent a softer sealing material to extrude in the downstream gap between adjacent hardware parts.

Anti-extrusion rings are typically made of polymeric materials such as filled PTFE, PEEK and reinforced PEEK that are resistant to high hydrostatic pressures.

They are machined with a tight groove fit and installed behind the seal, providing a smaller extrusion gap and allowing the seal to operate properly.

There are a variety of anti-extrusion rings available for use in various groove configurations and extrusion gap sizes together with elastomeric O-rings or FlexiSeals®.

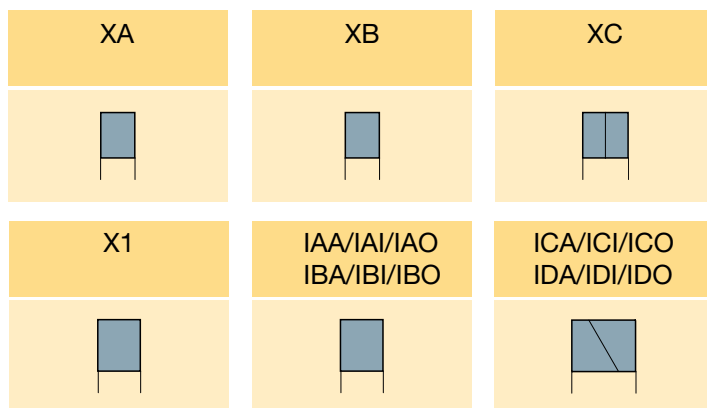


Fig. 2.7 Profile overview anti-extrusion rings

2.5 Guiding tapes



Fig. 2.8 Guiding tapes

Guiding tapes prevent metallic contact between reciprocating pistons and cylinders when forces act perpendicular to the direction of movement.

Guiding tapes are typically made from heavily filled PTFE-compounds and are available in configurations suited for pneumatic and hydraulic applications.

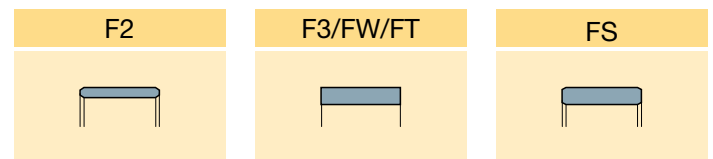


Fig. 2.9 Overview guiding tapes

2 PTFE product lines

2.6 Other PTFE products

2.6.1 PTFE chevron stacks



Fig. 2.10 PTFE chevron stack

For applications with special seal performance and reliability requirements, Parker has developed a PTFE chevron packing set. It is manufactured from PTFE-based compounds and other high-performance polymers using proven FlexiSeal® technology.

A typical PTFE chevron packing set consists of a radial FlexiSeal® followed by several V-rings and a pressure ring.

The FlexiSeal® is the primary sealing element. When pressurized, it activates the subsequent V-shaped chevron seals, pushing the sealing lips outward. The numerous sealing edges generated this way reduce the risk of leakage.

The pressure ring ensures that the softer PTFE elements are not pushed into the downstream system gap (gap extrusion).

The chevron packing sets are made of wear-resistant PTFE compounds. The pressure ring typically consists of PEEK.

For the sealing requirements of the oil and gas market, Parker offers a range of materials with Norsok and NACE approvals. A list of these materials is available on request.

Advantages over conventional elastomer-based chevron packing sets:

- Chemical and thermal advantages of PTFE over elastomer compounds.
- No special tooling required.
- Fast design and short manufacturing times.
- Simpler system design and installation as no mechanical activation elements are necessary.

Range of Application:

- Valve stems
- Machines with very fast reciprocating movements
- Forging presses
- Injection molding machines
- Hydraulics in steel mills
- Marine hydraulics
- Petroleum production

2.6.2 FlexiCase® seals



Fig. 2.11 FlexiCase® seals

FlexiCase® rotary seals are assemblies designed to seal the most demanding rotary applications where the operating conditions exceed the capabilities of elastomeric seals. They feature an inner diameter lip that seals dynamically on a shaft and a metal casing on the outer diameter to seal statically with a press-fit into a bore. A gasket is positioned between layers of sealing lips and the casing to seal off the potential leak path and to compensate for differential expansion. With some exceptions, FlexiCase® seals are not spring-energized. Consequently, the radial lip contact forces are lower than those of rotary FlexiSeals®, which allows the seal to function at much higher surface speeds of up to 70 meters/second. FlexiCase® seals are manufactured from a wide variety of PTFE composites and other machinable plastic materials. The unique production method allows custom-engineered sealing solutions to fit your needs.

2 PTFE product lines

2.6.3 PTFE bearings



Fig. 2.12 PTFE bearing

Bearing arrangements made of PTFE offer many advantages over conventional metallic bearings such as

- Chemical resistance
- Thermal resistance
- Self-lubrication/low friction
- Reduced mass
- Non-magnetic
- Anti-static
- Reduced noise level

In addition to a wide range of filled PTFE compounds, Parker bearings are available in other high-performance polymeric materials such as PA, PEEK, PAI and PI.

2.6.4 PTFE bellows



Fig. 2.13 PTFE bellow

Bellows are expansion joints consisting of a series of convolutions that allow flexibility in the axial, radial and angular direction. They are typically used in piping systems to absorb thermally induced motion and vibrations.

Bellows made from PTFE are suitable for applications involving high temperatures and/or chemically aggressive media.

2.6.5 Custom shapes

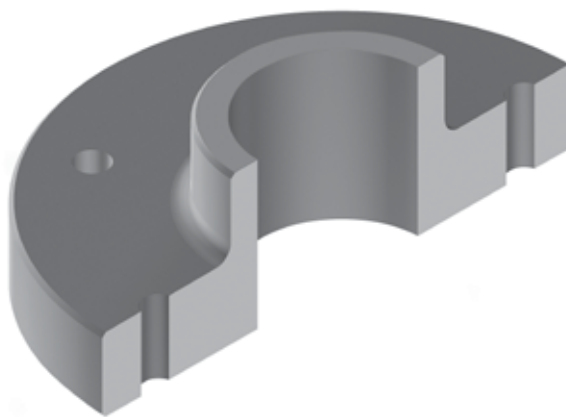


Fig. 2.14 Custom shape

Parkers uses state-of-the-art machining facilities to manufacture custom sealing solutions or non-sealing parts according to customers' specifications and will also provide design assistance if desired.

In addition to seals, machined parts include valve seats, washers, threaded parts and other precision-machined items.

For additional information on these PTFE products, please contact our consultancy service.

3.1 What is a FlexiSeal® and how does it work



Fig. 3.1 FlexiSeal®

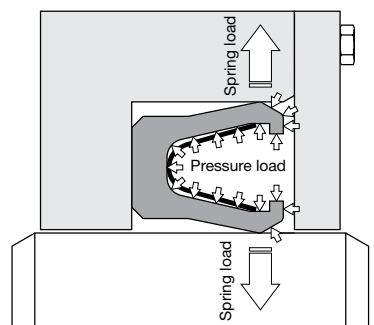


Fig. 3.2 FlexiSeal® operating principle

The FlexiSeal® consists of a polymeric jacket which is energized by a metallic spring when installed into a groove. It offers many of the well known advantages of the common elastomeric O-ring while avoiding many of its limitations.

The resilient spring element responds with constant force, pushing out the sealing lips, creating a tight seal against the groove mating surfaces. The open end of the jacket is orientated towards the highest pressure side and allows the hydrostatic pressure to energize the seal and supplement the spring force which increases contact pressure and eliminates potential leakage.

The use of a resilient spring element ensures positive sealing even at low-pressure and compensates for jacket wall reduction from cold flow, wear and thermal contraction. In conditions that see thermal cycling, the spring system continues to energize the seal lips without taking a compression set or becoming too soft or hard.

Many different spring designs are available in corrosion-resistant metal alloys including stainless steel, cobalt-chromium-nickel alloy, Inconel® and Hastelloy®.

Jacket profiles are typically made from PTFE-based and other high-performance polymer plastics, often with special additives to enhance, for example, wear resistance or high-temperature strength. PTFE offers excellent inherent low friction characteristics and an outstanding high degree of chemical inertness. Additionally, polymers are less prone to some of the problems asso-

ciated with elastomeric seals including explosive decompression and stick-slip.

FlexiSeals® are precision lathe-turned parts. Although Parker offers selected sizes to fit many popular international O-ring cavities, the fact is that the FlexiSeal® system can be tailored to any existing customer groove geometry.

3.2 FlexiSeal® standard part number nomenclature

The FlexiSeal® product line is available in a large variety of types, a virtually unlimited number of sizes and numerous jacket materials and energizers.

The FlexiSeal® standard range is defined by a standard part number which includes all key design elements.

XXX-M000000-00-000-0

XXX



FlexiSeal® type
(See section 3.3.1 to 3.3.3)

M



M for metric

000000



Groove diameter in millimetres specified to 2 decimal places (See section 3.3.4)

00



Cross-section code
(See section 3.3.4)

000



Jacket material
(See section 3.5.1)

0



Energizer material
(See section 3.5.2)

Ordering example

NAA-M010000-04-001-1

NAA	FlexiSeal® type (radial type NAA)
M	Metric
010000	Groove inner diameter (100 mm)
04	Cross-section code
001	Jacket material code (virgin PTFE)
1	Energizer material code (17/7 PH stainless steel)

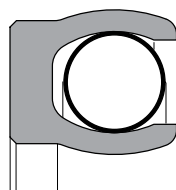


Fig. 3.3 Figure number

3 FlexiSeal®

3.3 How to select the FlexiSeal® type for your application

The following decision trees are designed to provide a clear path to the appropriate FlexiSeal® type choice for your application. The applications are divided into three basic categories.

The first category deals with static and intermittently dynamic applications both in radial and facial configurations.

The second one covers radial seals that experience regular dynamic rotary motion.

A third category deals with radial seals that see regular dynamic reciprocating motion.

The decision trees are to be used as an engineering guideline only. In many cases several other parameters have to be considered to optimize the seal design.

Please contact Parker's consultancy service or your local sales force for confirmation of your choice or further recommendations.

Dynamic reciprocating applications

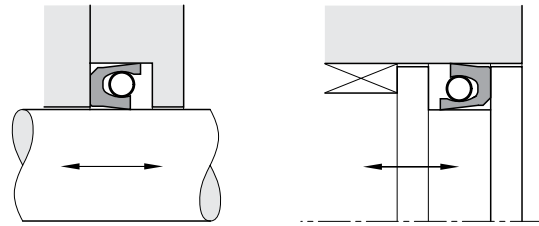


Fig. 3.7 Left: rod, right: piston

Static and intermittently dynamic applications

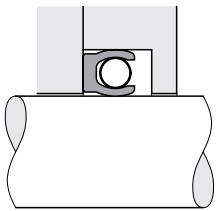


Fig. 3.4 Radial seal

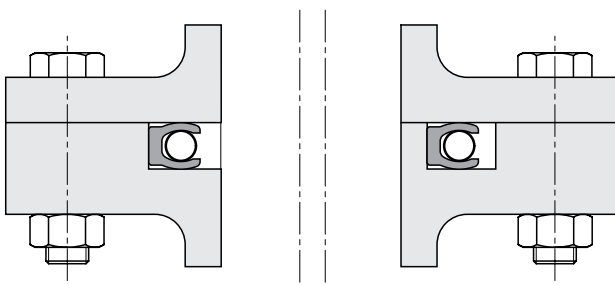


Fig. 3.5 Left: face seal internal pressure, right: face seal external pressure

Dynamic rotating applications

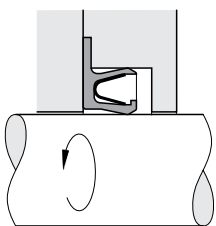


Fig. 3.6 Dynamic rotating

3.3.1 Static and intermittently dynamic applications

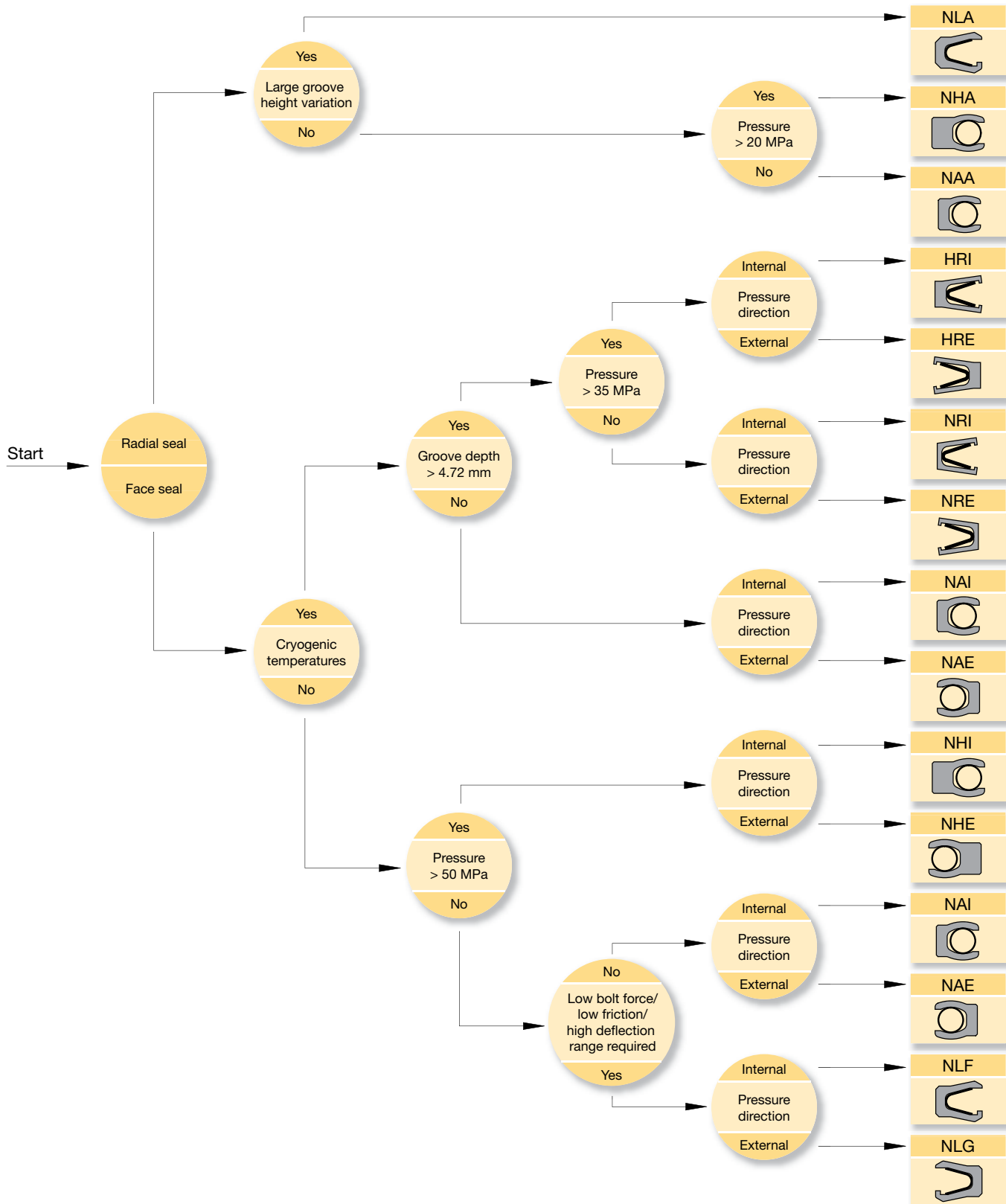


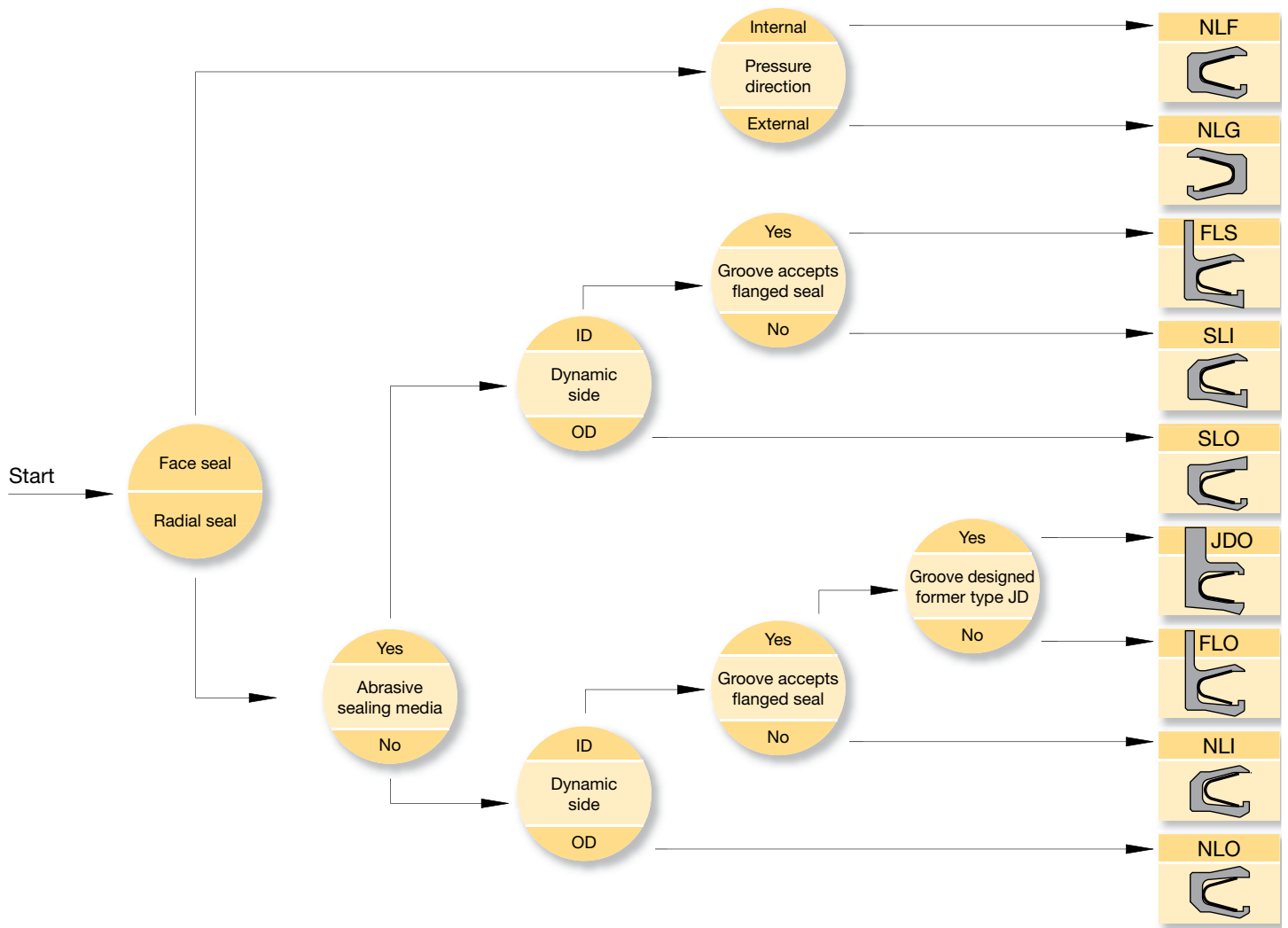
Fig. 3.8 FlexiSeal® decision tree for static and intermittently dynamic applications

3 FlexiSeal®

3 FlexiSeal®

3.3.2 Dynamic rotating applications

When practical, a groove which accepts a flanged seal is preferred as this prevents seal rotation and resists thermally induced movement.



Note
 The seal selection guidelines assume moderate temperatures and rotational velocities.
 Refer to the pressure-velocity-temperature guidelines in chapter 3.6.6 of the Technical Information section to pre-qualify the seal for rotating applications.

Fig. 3.9 FlexiSeal® decision tree for dynamic rotating applications

3.3.3 Dynamic reciprocating applications

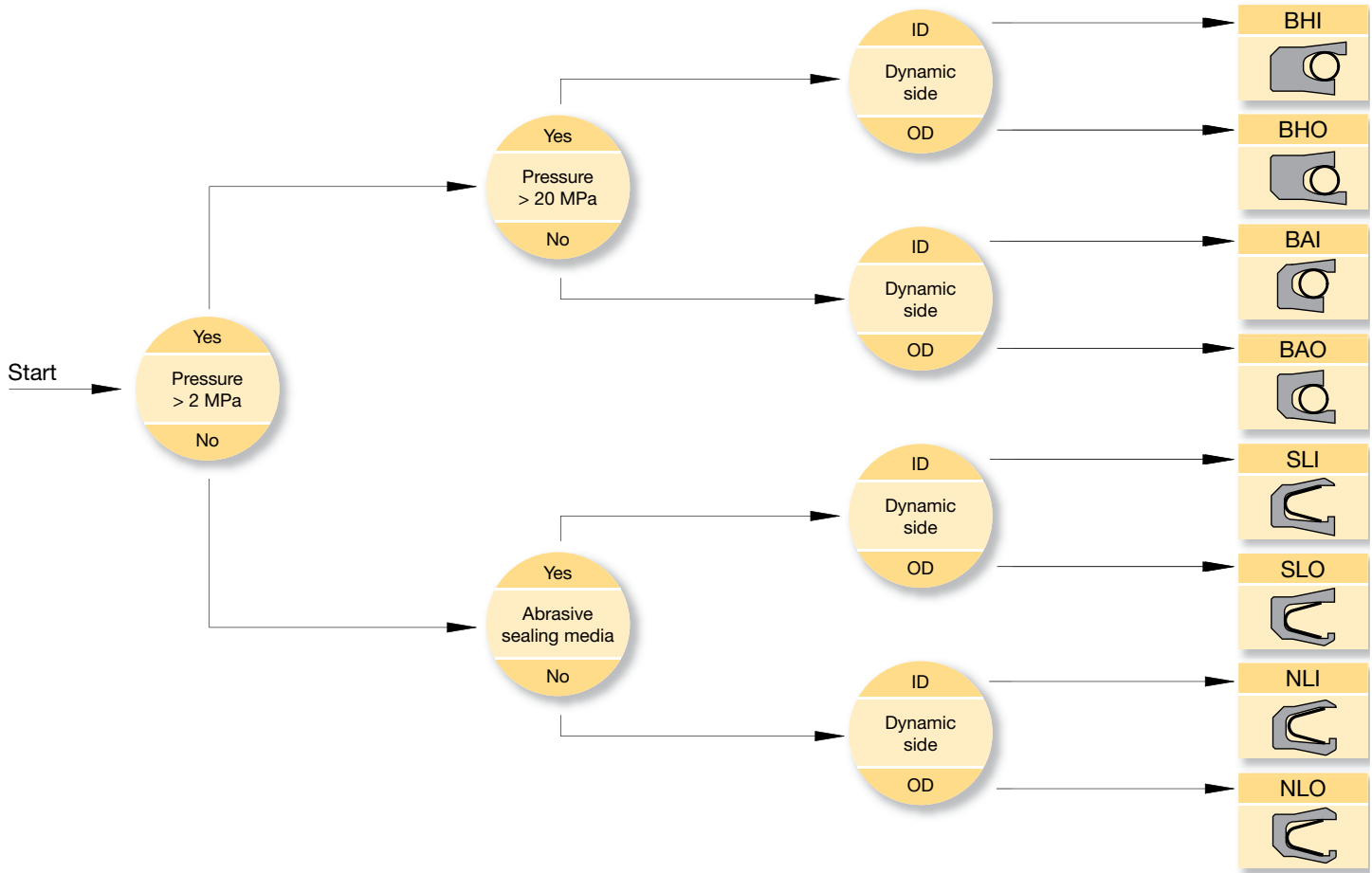


Fig. 3.10 FlexiSeal® decision tree for dynamic reciprocating applications

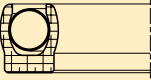
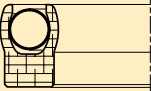
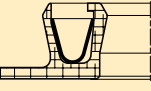
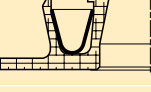
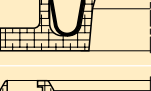

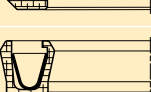
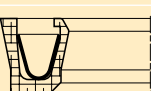
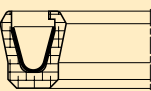
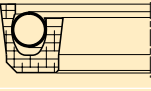




3.3.4 Selecting the FlexiSeal® size for your application



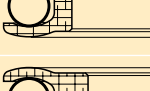

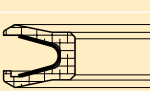
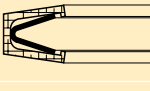


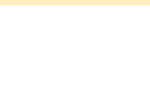

Standard FlexiSeals® are available in any diameter from 2.5 mm up to 3000 mm and a variety of cross-sections to fit the various groove sizes you may have. Refer to the page of the FlexiSeal® type selected for your application to determine the appropriate diameter, cross-section and housing dimensions.

Each selection outside this standard size range will result in a non-standard part generation and requires a filled out copy of the “Application data sheet” included in chapter 7 of this design manual. Please forward a completed form to our consultancy service or to your local sales force and we will come back to you with detailed recommendations.

3 FlexiSeal®

3 FlexiSeal®

Profile cross-section	Profile reference	Page
Radial seals		
	NAA	25
	NHA	27
	FLO	29
	FLS	31
	JDO	33
	NLI	35
	SLI	37
	NLO	39
	SLO	41
	NLA	43
	BAI	45
	BHI	47
	BAO	49
	BHO	51

Profile cross-section	Profile reference	Page
Face seals		
	NAI	53
	NHI	55
	NAE	57
	NHE	59
	NLF	61
	NLG	63
	NRI	65
	HRI	67
	NRE	69
	HRE	71



The profile NAA is excellent for both static and intermittently dynamic applications. The seal can be used for reciprocating or rotating movements on either inner or outer diameter.

Profile NAA is particularly suitable for valve stems, secondary sealing in mechanical seals, connectors, pistons and swivel joints.

Features:

- Helical spring for high load and small deflection range.

- Rounded lip profile for easy installation and improved lubrication of a reciprocating sealing surface.
- Best choice for installation into non-split grooves: the short heel and helical spring stretch easily and the rounded lips will not hang up.
- Widest range of cross-sections and diameters available, including sizes for upgrading standard O-ring grooves.
- Many high-resilience energizer options available, including choice of light, medium and heavy loads and NACE for oil field use.
- Low-cost elastomeric energizers available, all with excellent fatigue resistance.

Range of application

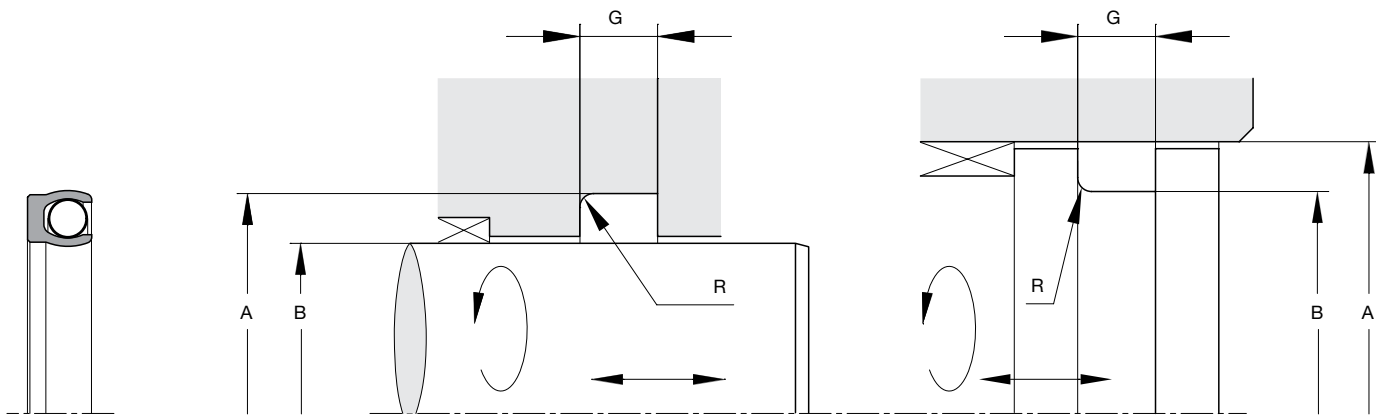
For static and intermittently dynamic sealing.

Operating pressure	≤ 20 MPa
Operating temperature	-260 °C to +315 °C
Sliding speed	≤ 0.005 m/s

Compounds

The NAA seal is available in a wide range of polymers. These include unfilled PTFE, filled PTFE, UHMW-PE, PEEK and many others. See the compound list for further information.

In case of special operating conditions (specific pressure loads, temperature, speed, use in water, HFA, HFB fluids etc.), please contact our consultancy service for a selection of the material and design best suiting your particular application requirements.



For surface finish, lead in chamfer and other installation dimensions see „General installation guidelines“.

Housing dimensions

Nominal cross-section	Cross-section code	Recommended inner Ø range		Outer diameter	Groove width min.	Radius max.
		Tolerance h8 B (mm)	Tolerance H8 A (mm)			
1/16"	01	≥ 7.5	≤ 75	B + 2.84	2.4	0.30
3/32"	02	≥ 5.5	≤ 180	B + 4.52	3.6	0.50
1/8"	03	≥ 6.0	≤ 250	B + 6.15	4.8	0.50
3/16"	04	≥ 12.5	≤ 300	B + 9.45	7.1	0.75
1/4"	05	≥ 50.0	≤ 500	B + 12.12	9.5	0.75
3/8"	06	≥ 150.0	≤ 1400	B + 18.75	13.3	0.75
1/2"	07	≥ 300.0	≤ 3000	B + 25.40	18.0	0.75

Ordering example

Shaft 70 mm
Cylinder bore 76.15 mm

NAA-M007000-03-XXX-Y

NAA Profile
M007000 Inner groove diameter (mm; times 100)
03 Cross-section code corresponding to a 6.15 mm groove diameter difference
XXX Jacket material
Y Spring-energizer material



The profile NHA is excellent for both static and intermittently dynamic applications at high pressures. The seal can be used for reciprocating or rotating movements on either inner or outer diameter.

Profile NHA is particularly suitable for high-pressure valve stems, connectors, pistons and swivel joints.

Features

- Extended heel that reduces effects of extrusion.
- Helical spring for high load and small deflection range.

- Rounded lip profile for easy installation and improved lubrication of a reciprocating sealing surface.
- Best choice for installation into non-split grooves: the short heel and helical spring stretch easily and the rounded lips will not hang up.
- Widest range of cross-sections and diameters available, including sizes for upgrading standard O-ring grooves.
- Many high-resilience energizer options available, including choice of light, medium and heavy loads and NACE for oil field use.
- Low-cost elastomeric energizers available, all with excellent fatigue resistance.

Range of application

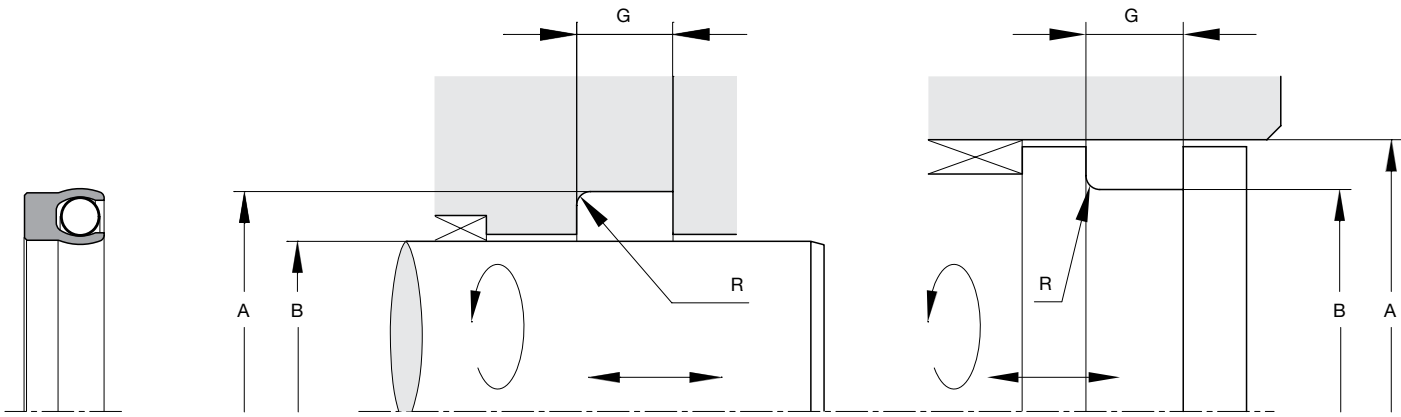
For high-pressure, static and intermittently dynamic sealing.

Operating pressure	≤ 55 MPa
Operating temperature	-260 °C to +315 °C
Sliding speed	≤ 0.005 m/s

Compounds

The NHA seal is available in a wide range of polymers. These include unfilled PTFE, filled PTFE, UHMW-PE, PEEK and many others. See the compound list for further information.

In case of special operating conditions (specific pressure loads, temperature, speed, use in water, HFA, HFB fluids etc.), please contact our consultancy service for a selection of the material and design best suiting your particular application requirements.



For surface finish, lead in chamfer and other installation dimensions see „General installation guidelines“.

Housing dimensions

Nominal cross-section	Cross-section code	Recommended inner Ø range		Outer diameter		Groove width min. G (mm)	Radius max. R (mm)
		≥	≤	Tolerance h8 B (mm)	Tolerance H8 A (mm)		
1/16"	01	7.5	75	B + 2.84	3.8	0.30	
3/32"	02	5.5	180	B + 4.52	4.6	0.50	
1/8"	03	6.0	250	B + 6.15	6.0	0.50	
3/16"	04	12.5	300	B + 9.45	8.5	0.75	
1/4"	05	50.0	500	B + 12.12	12.1	0.75	
3/8"	06	150.0	1400	B + 18.75	15.8	0.75	
1/2"	07	300.0	3000	B + 25.40	20.5	0.75	

Ordering example

Shaft 70 mm
Cylinder bore 76.15 mm

NHA-M007000-03-XXX-Y

NHA Profile
M007000 Inner groove diameter (mm; times 100)
03 Cross-section code corresponding to a 6.15 mm groove diameter difference
XXX Jacket material
Y Spring-energizer material

3 FlexiSeal®



The profile FLO is the best choice for sealing rotating shafts such as in pumps, motors and rotary actuators.

Features

- Cantilever spring for low load-high compliance behaviour.

- Outside flange that stabilizes the seal, prevents seal rotation and resists thermally induced movement.
- Heavy dynamic lip (inside) ensures longest life.
- Many high-resilience energizer options available, including choice of light, medium and heavy loads and NACE for oil field use.
- Available with silicone filling for food and drug applications.

Range of application

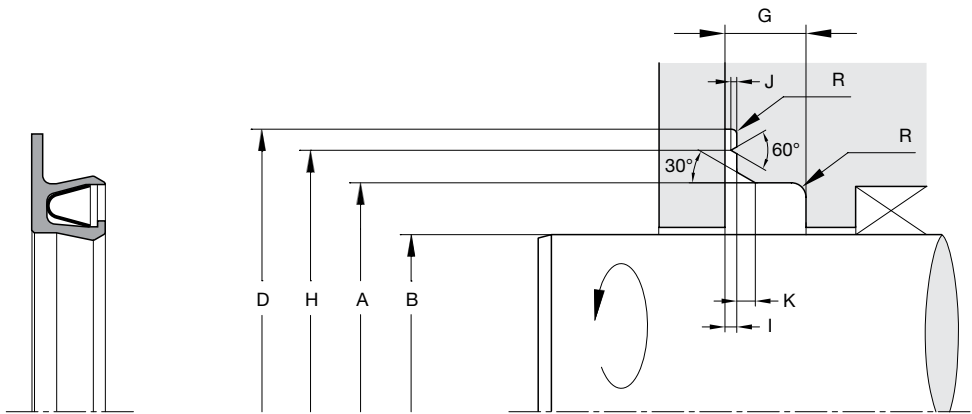
For rotating shaft sealing.

Operating pressure	≤ 20 MPa
Operating temperature	-260 °C to +315 °C
Sliding speed	≤ 10 m/s

Compounds

The FLO seal is available in a wide range of polymers. These include unfilled PTFE, filled PTFE and many others. See the compound list for further information.

In case of special operating conditions (specific pressure loads, temperature, speed, use in water, HFA, HFB fluids etc.), please contact our consultancy service for a selection of the material and design best suiting your particular application requirements.



For surface finish, lead in chamfer and other installation dimensions see „General installation guidelines“.

Housing dimensions

Nominal cross-section	Cross-section code	Recommended inner Ø range		Outer diameter		Groove width min. G (mm)	Radius max. R (mm)	Flange outer diameter		Nose Ø H (mm)	Flange width I (mm)	Nose width J (mm)	Chamfer width K (mm)
		Tolerance h10 B (mm) ≥	≤	Tolerance H8 A (mm)				Tolerance H11 D (mm)	Tolerance H11 H (mm)				
1/16"	01	3.0	75	B + 2.84	2.4	0.30	B + 7.0	B + 5.0	0.56 ^{+0.08}	0.25 ^{+0.10}	0.4 - 0.5		
3/32"	02	5.0	180	B + 4.52	3.6	0.5	B + 9.0	B + 7.0	0.56 ^{+0.08}	0.25 ^{+0.10}	0.8 - 1.0		
1/8"	03	12.5	250	B + 6.15	4.8	0.5	B + 12.5	B + 10.0	0.66 ^{+0.08}	0.30 ^{+0.10}	1.0 - 1.2		
3/16"	04	22.0	300	B + 9.45	7.1	0.75	B + 17.5	B + 13.5	0.96 ^{+0.08}	0.41 ^{+0.10}	1.3 - 1.6		
1/4"	05	50.0	685	B + 12.2	9.5	0.75	B + 22.0	B + 17.0	1.16 ^{+0.08}	0.56 ^{+0.10}	1.7 - 2.0		

Ordering example

Shaft 70 mm
 Cylinder bore 76.15 mm

FLO-M007000-03-XXX-Y

FLO Profile
 M007000 Inner groove diameter (mm; times 100)
 03 Cross-section code corresponding to a 6.15 mm groove diameter difference
 XXX Jacket material
 Y Spring-energizer material

3 FlexiSeal®



The profile FLS is the best choice for sealing rotating shafts with abrasive media such as in pumps, motors and rotary actuators.

Features

- Cantilever spring for low load / high compliance behaviour.

- Wiper-type dynamic (inside) lip.
- Outside flange that stabilizes the seal, prevents seal rotation and resists thermally induced movement.
- Heavy dynamic lip (inside) ensures longest life.
- Many high-resilience energizer options available, including choice of light, medium and heavy loads and NACE for oil field use.
- Available with silicone filling for food and drug applications.

Range of application

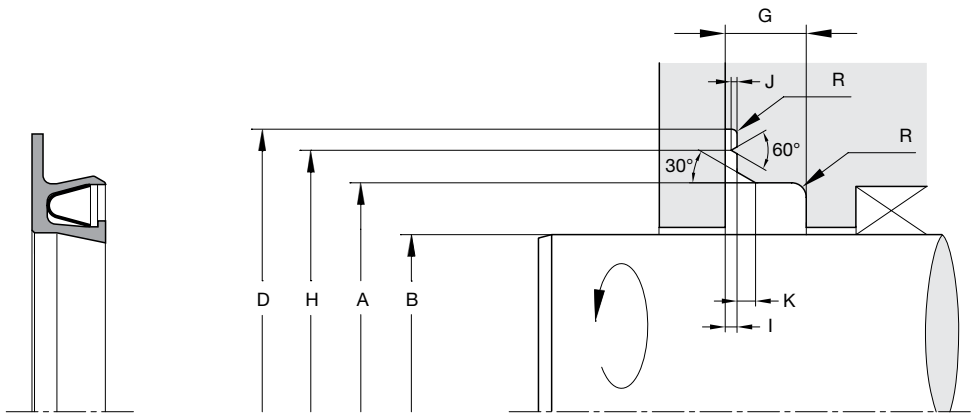
For rotating shaft sealing.

Operating pressure	≤ 20 MPa
Operating temperature	-260 °C to +315 °C
Sliding speed	≤ 10 m/s

Compounds

The FLS seal is available in a wide range of polymers. These include unfilled PTFE, filled PTFE and many others. See the compound list for further information.

In case of special operating conditions (specific pressure loads, temperature, speed, use in water, HFA, HFB fluids etc.), please contact our consultancy service for a selection of the material and design best suiting your particular application requirements.



For surface finish, lead in chamfer and other installation dimensions see „General installation guidelines“.

Housing dimensions

Nominal cross-section	Cross-section code	Recommended inner Ø range		Outer diameter		Groove width min.		Radius max.		Flange outer diameter		Nose Ø		Flange width		Nose width		Chamfer width	
		Tolerance h10		Tolerance H8		G		R		D		H		L		J		K	
		≥	≤	B +	A	(mm)	(mm)	(mm)	(mm)	(mm)	(mm)	(mm)	(mm)	(mm)	(mm)	(mm)	(mm)	(mm)	(mm)
1/16"	01	3.0	75	B + 2.84	2.4	0.30	B + 7.0	B + 5.0	0.56 ^{+0.08}	0.25 ^{+0.10}	0.4	-	0.5						
3/32"	02	5.0	180	B + 4.52	3.6	0.5	B + 9.0	B + 7.0	0.56 ^{+0.08}	0.25 ^{+0.10}	0.8	-	1.0						
1/8"	03	12.5	250	B + 6.15	4.8	0.5	B + 12.5	B + 10.0	0.66 ^{+0.08}	0.30 ^{+0.10}	1.0	-	1.2						
3/16"	04	22.0	300	B + 9.45	7.1	0.75	B + 17.5	B + 13.5	0.96 ^{+0.08}	0.41 ^{+0.10}	1.3	-	1.6						
1/4"	05	50.0	685	B + 12.2	9.5	0.75	B + 22.0	B + 17.0	1.16 ^{+0.08}	0.56 ^{+0.10}	1.7	-	2.0						

Ordering example

Shaft 70 mm
Cylinder bore 76.15 mm

FLS-M007000-03-XXX-Y

FLS Profile
M007000 Inner groove diameter (mm; times 100)
03 Cross-section code corresponding to a 6.15 mm groove diameter difference
XXX Jacket material
Y Spring-energizer material



The profile JDO is identical to the former profile JD and is the best choice for sealing rotating shafts as in pumps, motors and rotary actuators.

Features

- Cantilever spring for low load-high compliance behaviour.

- Outside flange that stabilizes the seal and prevents seal rotation.
- Heavy dynamic lip (inside) ensures longest life.
- Many high-resilience energizer options available, including choice of light, medium and heavy loads and NACE for oil field use.
- Available with silicone filling for food and drug applications.

Range of application

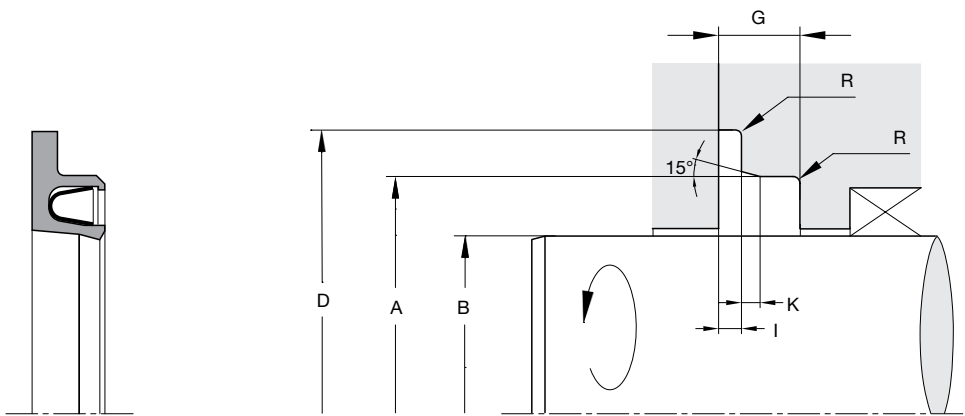
For rotating shaft sealing.

Operating pressure	≤ 20 MPa
Operating temperature	-260 °C to +315 °C
Sliding speed	≤ 10 m/s

Compounds

The JDO seal is available in a wide range of polymers. These include unfilled PTFE, filled PTFE and many others. See the compound list for further information.

In case of special operating conditions (specific pressure loads, temperature, speed, use in water, HFA, HFB fluids etc.), please contact our consultancy service for a selection of the material and design best suiting your particular application requirements.



For surface finish, lead in chamfer and other installation dimensions see „General installation guidelines“.

Housing dimensions

Nominal cross-section	Cross-section code	Recommended inner Ø range		Outer diameter		Groove width min.	Radius max.	Flange outer diameter		Flange width	Chamfer width
		Tolerance f7		Tolerance H9				Tolerance H11			
		B (mm)	≥ ≤	A (mm)	G (mm)			D (mm)	I (mm)		
3/32"	02	8	180	B + 5.0	3.6	0.3	B + 9.0	0.85 ^{-0.10}	0.8		
1/8"	03	20	250	B + 7.0	4.8	0.4	B + 12.5	1.35 ^{-0.15}	1.1		
3/16"	04	40	400	B + 10.5	7.1	0.5	B + 17.5	1.80 ^{-0.20}	1.4		
1/4"	05	50	700	B + 14.0	9.5	0.5	B + 22.0	2.80 ^{-0.20}	1.6		

Ordering example

Shaft 70 mm
 Cylinder bore 77 mm

JDO-M007000-03-XXX-Y

JDO Profile
 M007000 Inner groove diameter (mm; times 100)
 03 Cross-section code corresponding to a 3.07 mm groove height
 XXX Jacket material
 Y Spring-energizer material

3 FlexiSeal®



The profile NLI is ideal for sealing rotating shafts without the possibility of a flange cavity in the groove. It can also be used in low-pressure reciprocating applications.

Profile NLI is particularly suitable for pumps, motors, rotary actuators and reciprocating stems.

Features

- Cantilever spring for low load / high compliance behaviour.

- Heavy dynamic lip (inside) ensures longest life.
- Many high-resilience energizer options available, including choice of light, medium and heavy loads and NACE for oil field use.
- Available with silicone filling for food and drug applications.
- Allows the integration of a stand-off ring to protect the sealing lips in case of reverse pressure.

Range of application

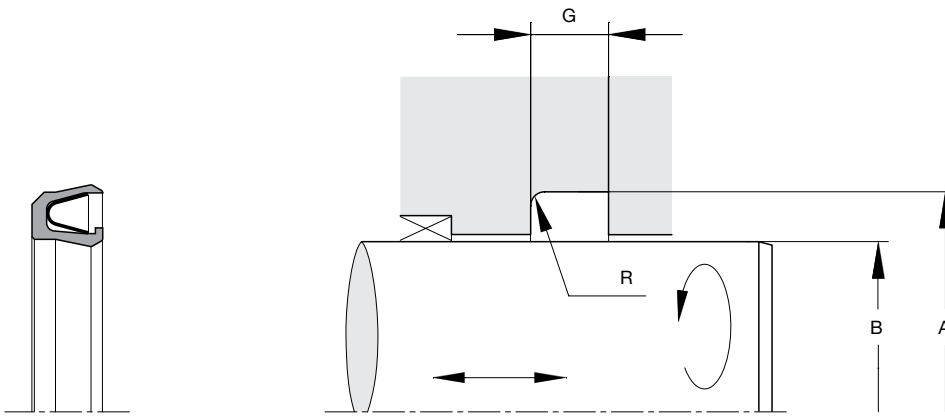
For inside dynamic sealing.

Operating pressure	≤ 20 MPa
Operating temperature	-260 °C to +315 °C
Sliding speed	≤ 5 m/s

Compounds

The NLI seal is available in a wide range of polymers. These include unfilled PTFE, filled PTFE, UHMW-PE and many others. See the compound list for further information.

In case of special operating conditions (specific pressure loads, temperature, speed, use in water, HFA, HFB fluids etc.), please contact our consultancy service for a selection of the material and design best suiting your particular application requirements.



For surface finish, lead in chamfer and other installation dimensions see „General installation guidelines“.

Housing dimensions

Nominal cross-section	Cross-section code	Recommended inner Ø range		Outer diameter		Groove width min. G (mm)	Radius max. R (mm)
		Tolerance h8 B (mm) ≥	≤	Tolerance H8 A (mm) B +			
1/16"	01	3.0	75	B + 2.84		2.4	0.30
3/32"	02	5.0	180	B + 4.52		3.6	0.50
1/8"	03	12.5	250	B + 6.15		4.8	0.50
3/16"	04	22.0	300	B + 9.45		7.1	0.75
1/4"	05	50.0	685	B + 12.12		9.5	0.75

Ordering example

Shaft or rod 70 mm
 Cylinder bore 76.15 mm

NLI-M007000-03-XXX-Y

NLI Profile
 M007000 Inner groove diameter (mm; times 100)
 03 Cross-section code corresponding to a 6.15 mm groove diameter difference
 XXX Jacket material
 Y Spring-energizer material

3 FlexiSeal®



The profile SLI is ideal for sealing abrasive media for rotating shafts without the possibility of a flange cavity in the groove. It can also be used in low-pressure reciprocating applications.

Profile SLI is particularly suitable for pumps, motors, rotary actuators and reciprocating stems.

Features

- Cantilever spring for low load / high compliance behaviour.

- Wiper-type dynamic (inside) lip.
- Heavy dynamic lip (inside) ensures longest life.
- Many high-resilience energizer options available, including choice of light, medium and heavy loads and NACE for oil field use.
- Available with silicone filling for food and drug applications.
- Allows the integration of a stand-off ring to protect the sealing lips in case of reverse pressure.

Range of application

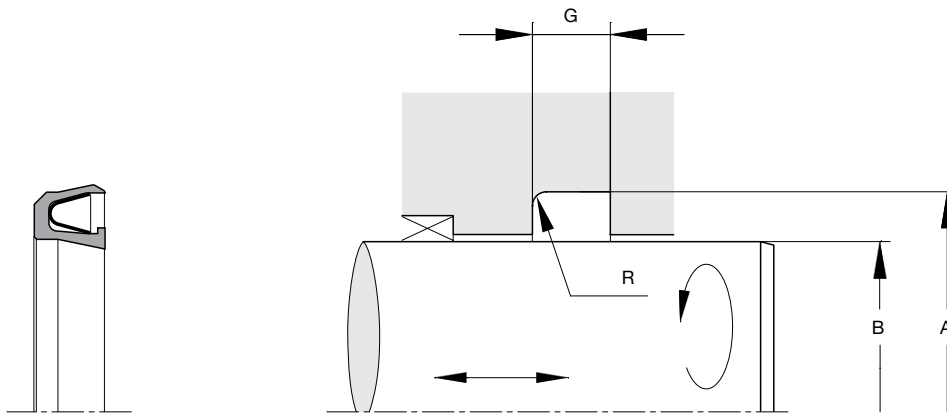
For inside dynamic sealing in abrasive media.

Operating pressure	≤ 20 MPa
Operating temperature	-260 °C to +315 °C
Sliding speed	≤ 5 m/s

Compounds

The SLI seal is available in a wide range of polymers. These include unfilled PTFE, filled PTFE, UHMW-PE and many others. See the compound list for further information.

In case of special operating conditions (specific pressure loads, temperature, speed, use in water, HFA, HFB fluids etc.), please contact our consultancy service for a selection of the material and design best suiting your particular application requirements.



For surface finish, lead in chamfer and other installation dimensions see „General installation guidelines“.

Housing dimensions

Nominal cross-section	Cross-section code	Recommended inner Ø range		Outer diameter		Groove width min.	Radius max.
		Tolerance h8	Tolerance H8	Tolerance h8	Tolerance H8		
		≥	≤	B	A	G	R
		(mm)		(mm)		(mm)	(mm)
1/16"	01	3.0	75	B + 2.84	A	2.4	0.30
3/32"	02	5.0	180	B + 4.52	A	3.6	0.50
1/8"	03	12.5	250	B + 6.15	A	4.8	0.50
3/16"	04	22.0	300	B + 9.45	A	7.1	0.75
1/4"	05	50.0	685	B + 12.12	A	9.5	0.75

Ordering example

Shaft or rod 70 mm
 Cylinder bore 76.15 mm

SLI-M007000-03-XXX-Y

SLI Profile
 M007000 Inner groove diameter (mm; times 100)
 03 Cross-section code corresponding to a 6.15 mm groove diameter difference
 XXX Jacket material
 Y Spring-energizer material

3 FlexiSeal®



The profile NLO is ideal for sealing outside rotating housings. It can also be used in low-pressure reciprocating piston applications.

Features

- Cantilever spring for low load / high compliance behaviour.

- Heavy dynamic lip (outside) ensures longest life.
- Many high-resilience energizer options available, including choice of light, medium and heavy loads and NACE for oil field use.
- Available with silicone filling for food and drug applications.
- Allows the integration of a stand-off ring to protect the sealing lips in case of reverse pressure.

Range of application

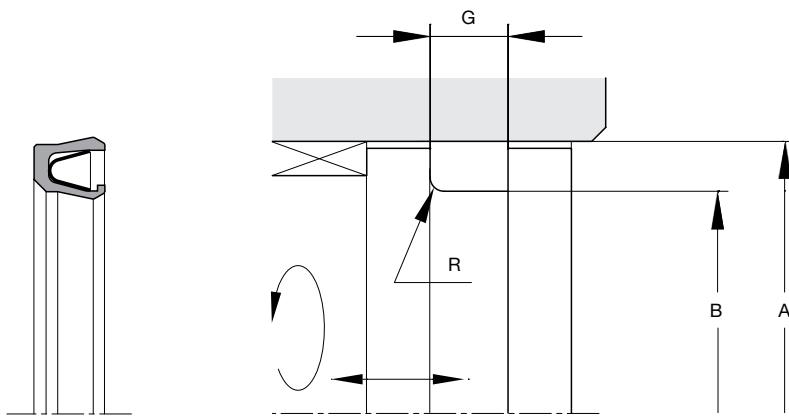
For outside dynamic sealing.

Operating pressure	≤ 20 MPa
Operating temperature	-260 °C to +315 °C
Sliding speed	≤ 5 m/s

Compounds

The NLO seal is available in a wide range of polymers. These include unfilled PTFE, filled PTFE, UHMW-PE and many others. See the compound list for further information.

In case of special operating conditions (specific pressure loads, temperature, speed, use in water, HFA, HFB fluids etc.), please contact our consultancy service for a selection of the material and design best suiting your particular application requirements.



For surface finish, lead in chamfer and other installation dimensions see „General installation guidelines“.

Housing dimensions

Nominal cross-section	Cross-section code	Recommended outer Ø range		Inner diameter	Groove width min.	Radius max.
		Tolerance H8				
		A (mm)	B (mm)		G (mm)	R (mm)
1/16"	01	6.0	75	A - 2.84	2.4	0.30
3/32"	02	9.5	180	A - 4.52	3.6	0.50
1/8"	03	19.0	250	A - 6.15	4.8	0.50
3/16"	04	31.5	300	A - 9.45	7.1	0.75
1/4"	05	63.0	685	A - 12.12	9.5	0.75

Ordering example

Piston groove 70 mm
Cylinder bore 76.15 mm

NLO-M007615-03-XXX-Y

NLO Profile
M007615 Outer groove diameter (mm; times 100)
03 Cross-section code corresponding to a 6.15 mm groove diameter difference
XXX Jacket material
Y Spring-energizer material



The profile SLO is ideal for sealing abrasive media with outside rotating housings. It can also be used in low-pressure reciprocating applications.

Features

- Cantilever spring for low-load / high-compliance behaviour.

- Wiper-type dynamic (OD) lip.
- Heavy dynamic lip (outside) ensures longest life.
- Many high-resilience energizer options available, including choice of light, medium and heavy loads and NACE for oil field use.
- Available with silicone filling for food and drug applications.
- Allows the integration of a stand-off ring to protect the sealing lips in case of reverse pressure.

Range of application

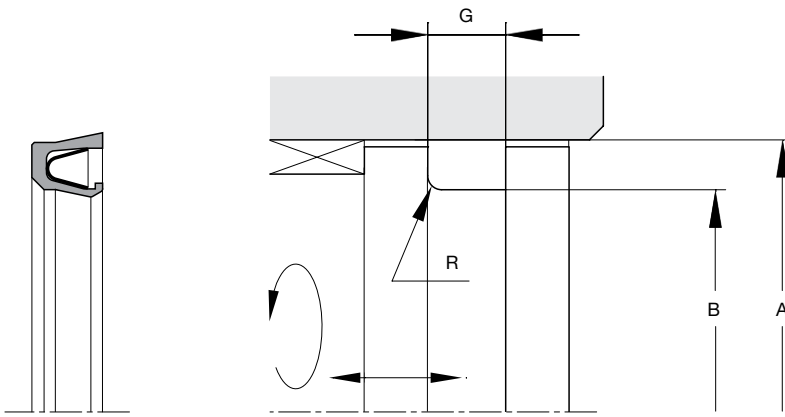
For outside dynamic sealing in abrasive media.

Operating pressure	≤ 20 MPa
Operating temperature	-260 °C to +315 °C
Sliding speed	≤ 5 m/s

Compounds

The SLO seal is available in a wide range of polymers. These include unfilled PTFE, filled PTFE, UHMW-PE and many others. See the compound list for further information.

In case of special operating conditions (specific pressure loads, temperature, speed, use in water, HFA, HFB fluids etc.), please contact our consultancy service for a selection of the material and design best suiting your particular application requirements.



For surface finish, lead in chamfer and other installation dimensions see „General installation guidelines“.

Housing dimensions

Nominal cross-section	Cross-section code	Recommended outer Ø range		Inner diameter	Groove width min.	Radius max.
		Tolerance H8				
		A	≤	B	G	R
		(mm)	(mm)	(mm)	(mm)	(mm)
1/16"	01	6.0	75	A - 2.84	2.4	0.30
3/32"	02	9.5	180	A - 4.52	3.6	0.50
1/8"	03	19.0	250	A - 6.15	4.8	0.50
3/16"	04	31.5	300	A - 9.45	7.1	0.75
1/4"	05	63.0	685	A - 12.12	9.5	0.75

Ordering example

Piston groove 70 mm
 Cylinder bore 76.15 mm

SLO-M007615-03-XXX-Y

SLO Profile
 M007615 Outer groove diameter (mm; times 100)
 03 Cross-section code corresponding to a 6.15 mm groove diameter difference
 XXX Jacket material
 Y Spring-energizer material

3 FlexiSeal®



The NLA product series is a FlexiSeal® design with a cantilever spring. It is ideally suited for static applications requiring greater flexibility of the seal cross-section (spring travel) due to higher coaxiality fluctuations between the rod and groove or due to excessive expansion and contraction (“breathing”). It is characterized by extremely high temperature and chemical resistance. NLA may also be used for dynamic applications (internal and external).

Features

- Symmetric lip design.
- Cantilever spring for low load / high compliance behaviour.

- Many high-resilience energizer options available, including choice of light, medium and heavy loads and NACE for oil field use.
- Available with silicone filling for food and drug applications.
- Allows the integration of a stand-off ring to protect the sealing lips in case of reverse pressure.

Range of application

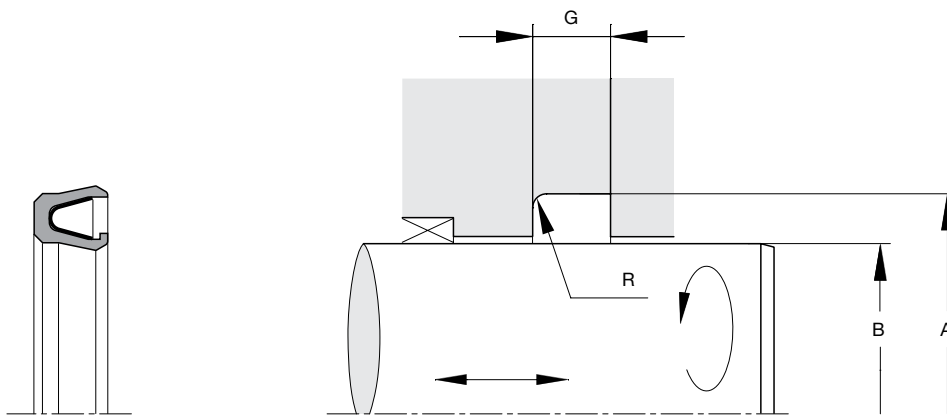
For inside dynamic sealing.

Operating pressure	≤ 20 MPa
Operating temperature	-260 °C to +315 °C
Sliding speed	≤ 5 m/s

Compounds

The NLA seal is available in a wide range of polymers. These include unfilled PTFE, filled PTFE, UHMW-PE and many others. See the compound list for further information.

In case of special operating conditions (specific pressure loads, temperature, speed, use in water, HFA, HFB fluids etc.), please contact our consultancy service for a selection of the material and design best suiting your particular application requirements.



For surface finish, lead in chamfer and other installation dimensions see „General installation guidelines“.

Housing dimensions

Nominal cross-section	Cross-section code	Recommended inner Ø range		Outer diameter		Groove width min. G (mm)	Radius max. R (mm)
		Tolerance h8 B (mm)	Tolerance H8 A (mm)	≥	≤		
1/16"	01	3.0	75	B + 2.84		2.4	0.30
3/32"	02	5.0	180	B + 4.52		3.6	0.50
1/8"	03	12.5	250	B + 6.15		4.8	0.50
3/16"	04	22.0	300	B + 9.45		7.1	0.75
1/4"	05	50.0	685	B + 12.12		9.5	0.75
3/8"	06	300.0	1400	B + 18.75		15	0.75
1/2"	07	300.0	3000	B + 25.40		18.0	0.75

Ordering example

Shaft or rod 70 mm
Cylinder bore 76.15 mm

NLA-M007000-03-XXX-Y

NLA Profile
M007000 Inner groove diameter (mm; times 100)
03 Cross-section code corresponding to a 6.15 mm groove diameter difference
XXX Jacket material
Y Spring-energizer material



The BAI product series is a single-acting rod seal featuring a FlexiSeal® design with a helicoil spring. It is characterized by extremely high temperature and chemical resistance and ideally suited for use in the medium pressure range. Due to its short axial length, the seal is particularly well suited for installation in compact grooves.

Features:

- Helical spring for high load and small deflection range.

- Heavy dynamic lip (inside) ensures longest life.
- Short, wiper-type dynamic lip reduces frictional forces due to hydrostatic pressure.
- Squared, long static lip stabilizes the seal.
- Widest range of cross-sections and diameters available, including sizes for upgrading standard O-ring grooves.
- Many high-resilience energizer options available, including choice of light, medium and heavy loads and NACE for oil field use.
- Low-cost elastomeric energizers available, all with excellent fatigue resistance.

Range of application

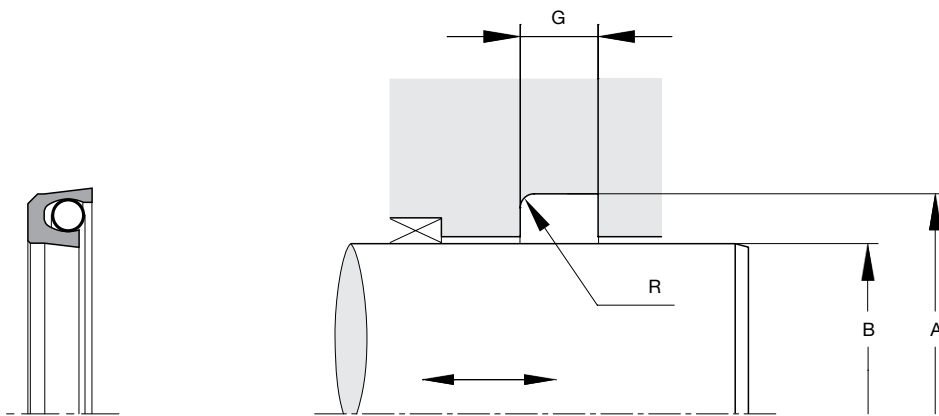
For sealing reciprocating rods.

Operating pressure	≤ 20 MPa
Operating temperature	-260 °C to +315 °C
Sliding speed	≤ 15 m/s

Compounds

The BAI seal is available in a wide range of polymers. These include unfilled PTFE, filled PTFE, UHMW-PE and many others. See the compound list for further information.

In case of special operating conditions (specific pressure loads, temperature, speed, use in water, HFA, HFB fluids etc.), please contact our consultancy service for a selection of the material and design best suiting your particular application requirements.



For surface finish, lead in chamfer and other installation dimensions see „General installation guidelines“.

Housing dimensions

Nominal cross-section	Cross-section code	Recommended inner Ø range		Outer diameter		Groove width min. G (mm)	Radius max. R (mm)
		Tolerance h8 B (mm) ≥	Tolerance h8 B (mm) ≤	Tolerance H8 A (mm) B +	Tolerance H8 A (mm) B +		
1/16"	01	7.5	75	B + 2.84	B + 2.84	2.4	0.30
3/32"	02	5.5	180	B + 4.52	B + 4.52	3.6	0.50
1/8"	03	6.0	250	B + 6.15	B + 6.15	4.8	0.50
3/16"	04	12.5	300	B + 9.45	B + 9.45	7.1	0.75
1/4"	05	50.0	500	B + 12.12	B + 12.12	9.5	0.75
3/8"	06	150.0	1400	B + 18.75	B + 18.75	13.3	0.75
1/2"	07	300.0	3000	B + 25.40	B + 25.40	18.0	0.75

Ordering example

Rod 70 mm
Cylinder bore 76.15 mm

BAI-M007000-03-XXX-Y

BAI Profile
M007000 Inner groove diameter (mm; times 100)
03 Cross-section code corresponding to a 6.15 mm groove diameter difference
XXX Jacket material
Y Spring-energizer material



The BHI product series is a single-acting rod seal featuring a FlexiSeal® design with a helicoil spring. It is characterized by extremely high temperature and chemical resistance and ideally suited for use in higher pressures.

Features

- Helical spring for high load and small deflection range.
- Extended heel reduces effects of extrusion.

- Heavy dynamic lip (inside) ensures longest life.
- Short, wiper-type dynamic lip reduces frictional forces due to hydrostatic pressure.
- Squared, long static lip stabilizes the seal.
- Widest range of cross-sections and diameters available, including sizes for upgrading standard O-ring grooves.
- Many high-resilience energizer options available, including choice of light, medium and heavy loads and NACE for oil field use.
- Low-cost elastomeric energizers available, all with excellent fatigue resistance.

Range of application

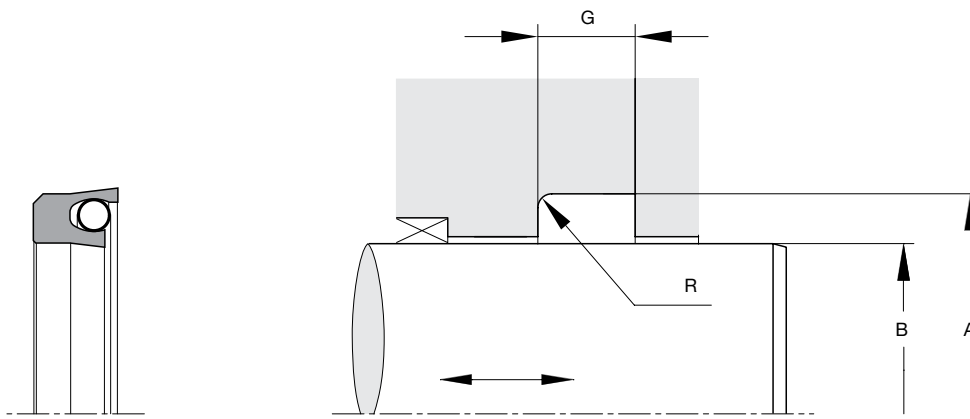
High-pressure, reciprocating rod sealing.

Operating pressure	≤ 55 MPa
Operating temperature	-260 °C to +315 °C
Sliding speed	≤ 15 m/s

Compounds

The BHI seal is available in a wide range of polymers. These include unfilled PTFE, filled PTFE, UHMW-PE and many others. See the compound list for further information.

In case of special operating conditions (specific pressure loads, temperature, speed, use in water, HFA, HFB fluids etc.), please contact our consultancy service for a selection of the material and design best suiting your particular application requirements.



For surface finish, lead in chamfer and other installation dimensions see „General installation guidelines“.

Housing dimensions

Nominal cross-section	Cross-section code	Recommended inner Ø range		Outer diameter		Groove width min. G (mm)	Radius max. R (mm)
		Tolerance h8 B (mm)		Tolerance H8 A (mm)			
		≥	≤	B +	A		
1/16"	01	7.5	75	B + 2.84		3.8	0.30
3/32"	02	5.5	180	B + 4.52		4.6	0.50
1/8"	03	6.0	250	B + 6.15		6.0	0.50
3/16"	04	12.5	300	B + 9.45		8.5	0.75
1/4"	05	50.0	500	B + 12.12		12.1	0.75
3/8"	06	150.0	1400	B + 18.75		15.8	0.75
1/2"	07	300.0	3000	B + 25.40		20.5	0.75

Ordering example

Rod 70 mm
Cylinder bore 76.15 mm

BHI-M007000-03-XXX-Y

BHI Profile
M007000 Inner groove diameter (mm; times 100)
03 Cross-section code corresponding to a 6.15 mm groove diameter difference
XXX Jacket material
Y Spring-energizer material



The BAO product series is a single-acting piston seal featuring a FlexiSeal® design with a helicoil spring. It stands out due to extreme temperature and chemical resistance and is ideally suited for the medium pressure range. Due to its axially short length, the seal is particularly well suited for compact piston designs.

Features:

- Helical spring for high load and small deflection range.

- Heavy dynamic lip (outside) ensures longest life.
- Short, wiper-type dynamic lip reduces frictional forces due to hydrostatic pressure.
- Squared, long static lip stabilizes the seal.
- Widest range of cross-sections and diameters available, including sizes for upgrading standard O-ring grooves.
- Many high-resilience energizer options available, including choice of light, medium and heavy loads and NACE for oil field use.
- Low-cost elastomeric energizers available, all with excellent fatigue resistance.

Range of application

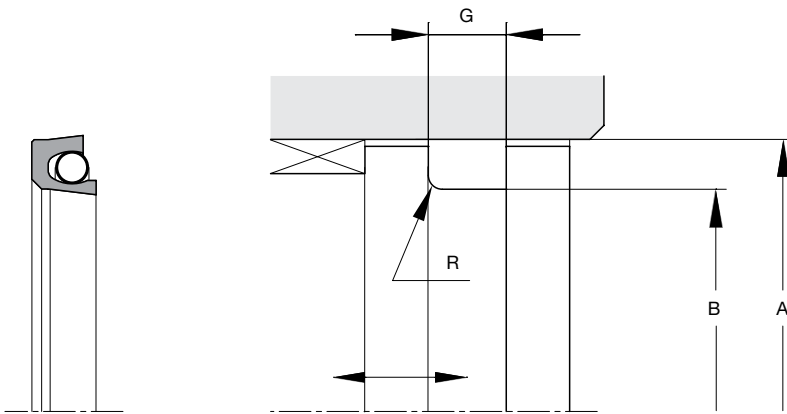
For reciprocating piston sealing.

Operating pressure	≤ 20 MPa
Operating temperature	-260 °C to +315 °C
Sliding speed	≤ 15 m/s

Compounds

The BAO seal is available in a wide range of polymers. These include unfilled PTFE, filled PTFE, UHMW-PE and many others. See the compound list for further information.

In case of special operating conditions (specific pressure loads, temperature, speed, use in water, HFA, HFB fluids etc.), please contact our consultancy service for a selection of the material and design best suiting your particular application requirements.



For surface finish, lead in chamfer and other installation dimensions see „General installation guidelines“.

Housing dimensions

Nominal cross-section	Cross-section code	Recommended outer Ø range		Inner diameter	Groove width min.	Radius max.
		Tolerance H8				
		A	B			
		(mm)	(mm)			
		≥	≤			
1/16"	01	10.0	75	A - 2.84	2.4	0.30
3/32"	02	10.0	180	A - 4.52	3.6	0.50
1/8"	03	12.5	250	A - 6.15	4.8	0.50
3/16"	04	22.0	300	A - 9.45	7.1	0.75
1/4"	05	63.0	500	A - 12.12	9.5	0.75
3/8"	06	170.0	1400	A - 18.75	13.3	0.75
1/2"	07	325.0	3000	A - 25.40	18.0	0.75

Ordering example

Piston groove 70 mm
 Cylinder bore 76.15 mm

BAO-M007615-03-XXX-Y

BAO Profile
 M007615 Outer groove diameter (mm; times 100)
 03 Cross-section code corresponding to a 6.15 mm groove diameter difference
 XXX Jacket material
 Y Spring-energizer material

3 FlexiSeal®



The BHO product series is a single-acting piston seal featuring a FlexiSeal® design with a helicoil spring. It stands out due to its extreme temperature and chemical resistance and is ideal for higher-pressure applications.

Features

- Helical spring for high load and small deflection range.
- Extended heel that reduces effects of extrusion.

- Heavy dynamic lip (inside) ensures longest life.
- Short, wiper-type dynamic lip reduces frictional forces due to hydrostatic pressure.
- Squared, long static lip stabilizes the seal.
- Widest range of cross-sections and diameters available, including sizes for upgrading standard O-ring grooves.
- Many high-resilience energizer options available, including choice of light, medium and heavy loads and NACE for oil field use.
- Low-cost elastomeric energizers available, all with excellent fatigue resistance.

Range of application

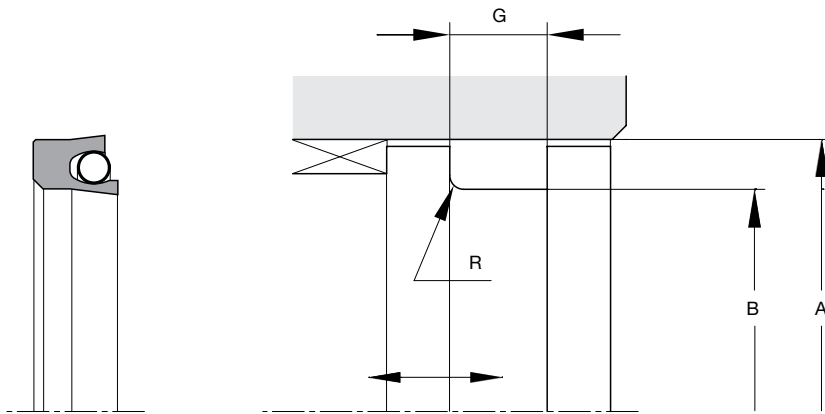
For high-pressure applications in reciprocating pistons.

Operating pressure	≤ 55 MPa
Operating temperature	-260 °C to +315 °C
Sliding speed	≤ 15 m/s

Compounds

The BHO seal is available in a wide range of polymers. These include unfilled PTFE, filled PTFE, UHMW-PE and many others. See the compound list for further information.

In case of special operating conditions (specific pressure loads, temperature, speed, use in water, HFA, HFB fluids etc.), please contact our consultancy service for a selection of the material and design best suiting your particular application requirements.



For surface finish, lead in chamfer and other installation dimensions see „General installation guidelines“.

Housing dimensions

Nominal cross-section	Cross-section code	Recommended outer Ø range		Inner diameter	Groove width min.	Radius max.
		Tolerance H8	Tolerance h8			
		A (mm)	B (mm)		G (mm)	R (mm)
1/16"	01	10.0	75	A - 2.84	3.8	0.30
3/32"	02	10.0	180	A - 4.52	4.6	0.50
1/8"	03	12.5	250	A - 6.15	6.0	0.50
3/16"	04	22.0	300	A - 9.45	8.5	0.75
1/4"	05	63.0	500	A - 12.12	12.1	0.75
3/8"	06	170.0	1400	A - 18.75	15.8	0.75
1/2"	07	325.0	3000	A - 25.40	20.5	0.75

Ordering example

Piston groove 70 mm
 Cylinder bore 76.15 mm

BHO-M007615-03-XXX-Y

BHO Profile
 M007615 Outer groove diameter (mm; times 100)
 03 Cross-section code corresponding to a 6.15 mm groove diameter difference
 XXX Jacket material
 Y Spring-energizer material



The NAI product series features a FlexiSeal® design with a helicoil spring and is ideally suited for flange sealing in high-pressure applications. It seals the pressure gradient from inside to outside. The NAI series is characterized by extremely high temperature resistance and chemical resistance.

Features

- Helical wound spring for high load and small deflection range.

- Resilient helical spring resists permanent set and maintains compliance to long-term flange separation.
- Many high-resilience energizer options available, including choice of light, medium and heavy loads and NACE for oil field use.
- Low-cost elastomeric energizers available, all with excellent fatigue resistance.

Range of application

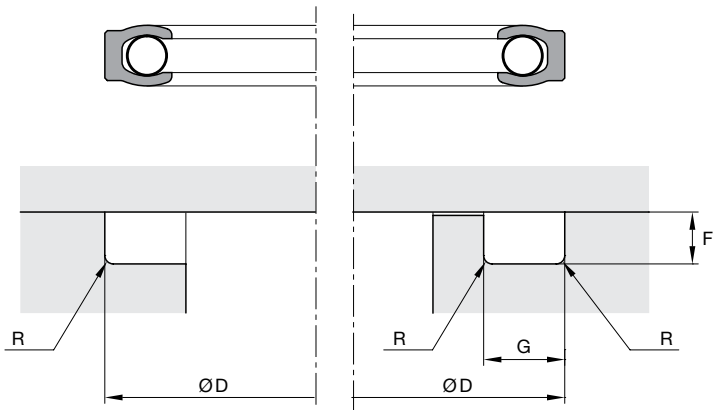
Flange sealing in high-pressure applications, pressure gradient from inside to outside.

Operating pressure	≤ 55 MPa
Operating temperature	-260 °C to +315 °C
Sliding speed	≤ 0.005 m/s

Compounds

The NAI seal is available in a wide range of polymers. These include unfilled PTFE, filled PTFE, UHMW-PE, PEEK and many others. See the compound list for further information.

In case of special operating conditions (specific pressure loads, temperature, speed, use in water, HFA, HFB fluids etc.), please contact our consultancy service for a selection of the material and design best suiting your particular application requirements.



For surface finish, lead in chamfer and other installation dimensions see „General installation guidelines“.

Housing dimensions

Nominal cross-section	Cross-section code	Recommended outer Ø range		Groove depth range	Groove width min.	Radius max.
		Tolerance H10				
		D (mm)		F (mm)	G (mm)	R (mm)
		≥	≤			
1/16"	01	10	65	1.42 - 1.47	2.4	0.30
3/32"	02	14	100	2.26 - 2.31	3.6	0.50
1/8"	03	25	200	3.07 - 3.12	4.8	0.50
3/16"	04	48	350	4.72 - 4.78	7.1	0.75
1/4"	05	115	400	6.05 - 6.12	9.5	0.75
3/8"	06	200	1000	9.47 - 9.58	13.3	0.75
1/2"	07	325	3000	12.70 - 12.80	18.0	0.75

Ordering example

Outside groove 70 mm

NAI-M007000-03-XXX-Y

- NAI profile
- M007000 Outer groove diameter (mm; times 100)
- 03 Cross-section code corresponding to a 3.07 mm groove height
- XXX Jacket material
- Y Spring-energizer material

3 FlexiSeal®



The NHI product series features a FlexiSeal® design with a helicoil spring and is ideally suited for flange sealing in extreme high-pressure applications. It seals the pressure gradient from inside to outside. The NHI series is characterized by extremely high temperature resistance and chemical resistance.

Features

- Extended heel reduces the effects of extrusion.
- Helical spring for high load and small deflection range.

- Resilient helical spring resists permanent set and maintains compliance to long-term flange separation.
- Many high-resilience energizer options available, including choice of light, medium and heavy loads and NACE for oil field use.
- Low-cost elastomeric energizers available, all with excellent fatigue resistance.

Range of application

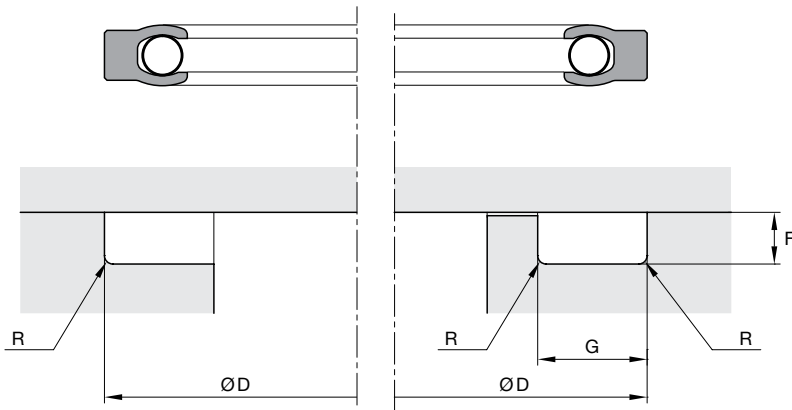
Flange sealing in extreme high-pressure applications, pressure gradient from inside to outside.

Operating pressure	≤ 140 MPa
Operating temperature	-260 °C to +315 °C
Sliding speed	≤ 0.005 m/s

Compounds

The NHI seal is available in a wide range of polymers. These include unfilled PTFE, filled PTFE, UHMW-PE, PEEK and many others. See the compound list for further information.

In case of special operating conditions (specific pressure loads, temperature, speed, use in water, HFA, HFB fluids etc.), please contact our consultancy service for a selection of the material and design best suiting your particular application requirements.



For surface finish, lead in chamfer and other installation dimensions see „General installation guidelines“.

Housing dimensions

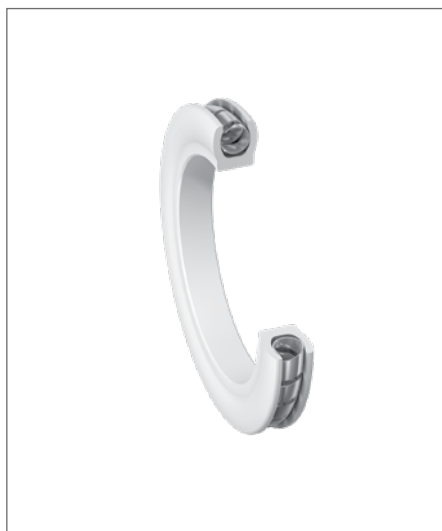
Nominal cross-section	Cross-section code	Recommended outer Ø range		Groove depth range	Groove width min.	Radius max.
		Tolerance H10				
		D (mm)		F (mm)	G (mm)	R (mm)
		≥	≤			
1/16"	01	11	65	1.42 - 1.47	3.3	0.30
3/32"	02	14	100	2.26 - 2.31	4.5	0.50
1/8"	03	25	200	3.07 - 3.12	6.5	0.50
3/16"	04	48	350	4.72 - 4.78	8.0	0.75
1/4"	05	115	400	6.05 - 6.12	11.3	0.75
3/8"	06	200	1000	9.47 - 9.58	15.8	0.75
1/2"	07	325	3000	12.70 - 12.80	20.5	0.75

Ordering example

Outside groove 70 mm

NHI-M007000-03-XXX-Y

NHI Profile
 M007000 Outer groove diameter (mm; times 100)
 03 Cross-section code corresponding to a 3.07 mm groove height
 XXX Jacket material
 Y Spring-energizer material



Die Produktserie NAE ist ein FlexiSeal®-Design mit Helicoil-Feder und eignet sich ideal für Flanschabdichtungen im Hochdruckbereich. Sie dichtet das Druckgefälle von außen nach innen ab. Die Serie NAE zeichnet sich durch extreme Temperatur- und chemische Beständigkeit aus.

Features

- Helical spring for high load and small deflection range.

- Resilient helical spring resists permanent set and maintains compliance to long-term flange separation.
- Many high-resilience energizer options available, including choice of light, medium and heavy loads and NACE for oil field use.
- Low-cost elastomeric energizers available, all with excellent fatigue resistance.

Range of application

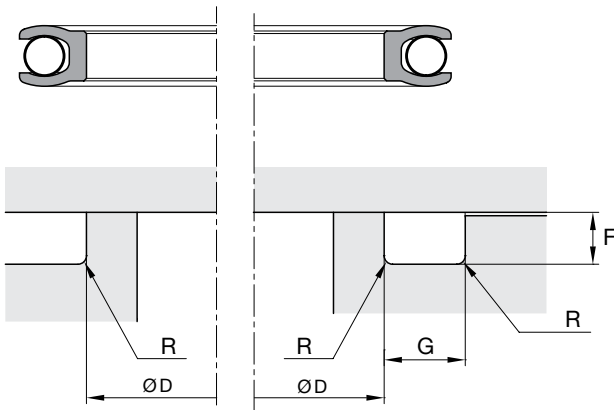
Flange sealing in high-pressure applications, pressure gradient from outside to inside.

Operating pressure	≤ 55 MPa
Operating temperature	-260 °C to +315 °C
Sliding speed	≤ 0.005 m/s

Compounds

The NAE seal is available in a wide range of polymers. These include unfilled PTFE, filled PTFE, UHMW-PE, PEEK and many others. See the compound list for further information.

In case of special operating conditions (specific pressure loads, temperature, speed, use in water, HFA, HFB fluids etc.), please contact our consultancy service for a selection of the material and design best suiting your particular application requirements.



For surface finish, lead in chamfer and other installation dimensions see „General installation guidelines“.

Housing dimensions

Nominal cross-section	Cross-section code	Recommended inner Ø range		Groove depth range	Groove width min.	Radius max.
		Tolerance h10				
		D (mm)		F (mm)	G (mm)	R (mm)
		≥	≤			
1/16"	01	5	65	1.42 - 1.47	2.4	0.30
3/32"	02	10	100	2.26 - 2.31	3.6	0.50
1/8"	03	20	200	3.07 - 3.12	4.8	0.50
3/16"	04	40	350	4.72 - 4.78	7.1	0.75
1/4"	05	90	400	6.05 - 6.12	9.5	0.75
3/8"	06	200	1000	9.47 - 9.58	13.3	0.75
1/2"	07	300	3000	12.70 - 12.80	18.0	0.75

Ordering example

Inside groove 70 mm

NAE-M007000-03-XXX-Y

NAE Profile
 M007000 Inner groove diameter (mm; times 100)
 03 Cross-section code corresponding to a 3.07 mm groove height
 XXX Jacket material
 Y Spring-energizer material

3 FlexiSeal®



The NHE product series features a FlexiSeal® design with a helicoil spring and is ideally suited for flange sealing in extreme high-pressure applications. It seals the pressure gradient from outside to inside. The NHE series is characterized by extremely high temperature resistance and chemical resistance.

Features

- Extended heel reduces the effects of extrusion.
- Helical spring for high load and small deflection range.

- Resilient helical spring resists permanent set and maintains compliance to long-term flange separation.
- Many high-resilience energizer options available, including choice of light, medium and heavy loads and NACE for oil field use.
- Low-cost elastomeric energizers available, all with excellent fatigue resistance.

Range of application

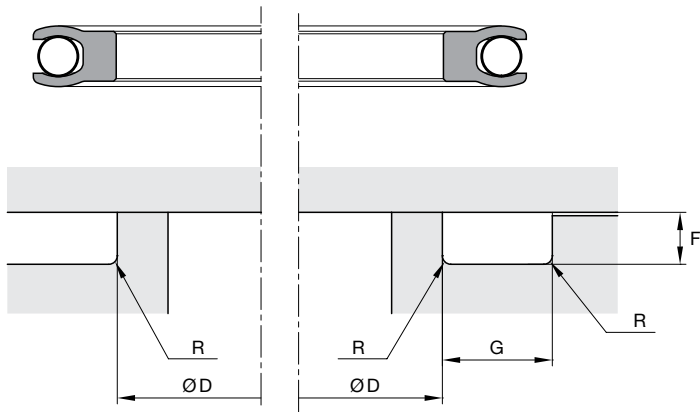
Flange sealing in extreme high-pressure applications, pressure gradient from outside to inside.

Operating pressure	≤ 140 MPa
Operating temperature	-260 °C to +315 °C
Sliding speed	≤ 0.05 m/s

Compounds

The NHE seal is available in a wide range of polymers. These include unfilled PTFE, filled PTFE, UHMW-PE, PEEK and many others. See the compound list for further information.

In case of special operating conditions (specific pressure loads, temperature, speed, use in water, HFA, HFB fluids etc.), please contact our consultancy service for a selection of the material and design best suited to your particular application requirements.



For surface finish, lead in chamfer and other installation dimensions see „General installation guidelines“.

Housing dimensions

Nominal cross-section	Cross-section code	Recommended inner Ø range		Groove depth range	Groove width min.	Radius max.
		Tolerance h10				
		≥	≤	F (mm)	G (mm)	R (mm)
1/16"	01	4.65	65	1.42 - 1.47	3.3	0.30
3/32"	02	10.00	100	2.26 - 2.31	4.5	0.50
1/8"	03	20.00	200	3.07 - 3.12	6.5	0.50
3/16"	04	40.00	350	4.72 - 4.78	8.0	0.75
1/4"	05	90.00	400	6.05 - 6.12	11.3	0.75
3/8"	06	200.00	1000	9.47 - 9.58	15.8	0.75
1/2"	07	300.00	3000	12.70 - 12.80	20.5	0.75

Ordering example

Inside groove 70 mm

NHE-M007000-03-XXX-Y

NHE Profile
 M007000 Inner groove diameter (mm; times 100)
 03 Cross-section code corresponding to a 3.07 mm groove height
 XXX Jacket material
 Y Spring-energizer material

3 FlexiSeal®



The NLF product series features a FlexiSeal® design with a cantilever spring and is ideally suited for flange sealing in medium-pressure applications. It seals the pressure gradient from inside to outside. It is the preferred choice for applications in which only limited assembly forces are permissible or which require compensation for larger gaps between sealing areas. It is also suitable for applications with minor movements caused by vibrations. The NLF series is characterized by extremely high temperature resistance and chemical resistance.

Features

- Cantilever spring for low sealing load and high compliance to long-term flange separation.

- Many high-resilience energizer options available, including choice of light, medium and heavy loads and NACE for oil field use.
- Available with silicone filling for food and drug applications.

Range of application

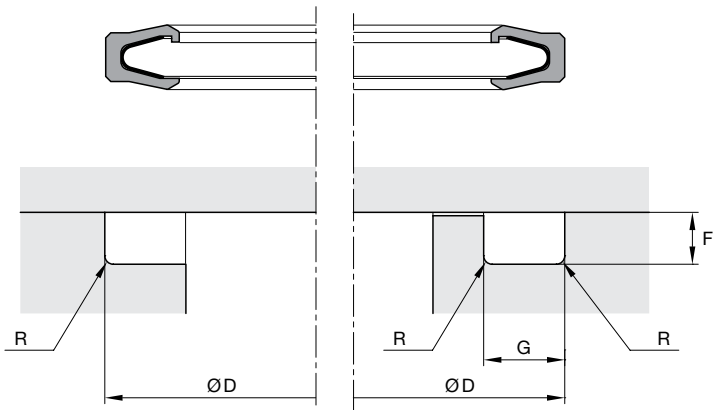
Flange sealing in medium-pressure applications, pressure gradient from inside to outside. Minor dynamics permissible.

Operating pressure	≤ 35 MPa
Operating temperature	-260 °C to +315 °C
Sliding speed	≤ 5 m/s

Compounds

The NLF seal is available in a wide range of polymers. These include unfilled PTFE, filled PTFE, UHMW-PE and many others. See the compound list for further information.

In case of special operating conditions (specific pressure loads, temperature, speed, use in water, HFA, HFB fluids etc.), please contact our consultancy service for a selection of the material and design best suiting your particular application requirements.



For surface finish, lead in chamfer and other installation dimensions see „General installation guidelines“.

Housing dimensions

Nominal cross-section	Cross-section code	Recommended inner Ø range		Groove depth range	Groove width min.	Radius max.
		Tolerance H10				
		D (mm)	D (mm)	F (mm)	G (mm)	R (mm)
		≥	≤			
1/16"	01	15	75	1.42 - 1.47	2.4	0.30
3/32"	02	20	180	2.26 - 2.31	3.6	0.50
1/8"	03	30	250	3.07 - 3.12	4.8	0.50
3/16"	04	50	300	4.72 - 4.78	7.1	0.75
1/4"	05	105	685	6.05 - 6.12	9.5	0.75
3/8"	06	300	1400	9.47 - 9.58	15	0.75
1/2"	07	300	3000	12.70 - 12.80	18.0	0.75

Ordering example

Outside groove 70 mm

NLF-M007000-03-XXX-Y

NLF Profile
 M007000 Outer groove diameter (mm; times 100)
 03 Cross-section code corresponding to a 3.07 mm groove height
 XXX Jacket material
 Y Spring-energizer material

3 FlexiSeal®



The NLG product series features a FlexiSeal® design with a cantilever spring and is ideally suited for flange sealing in medium-pressure applications. It seals the pressure gradient from outside to inside. It is the preferred choice for applications in which only limited assembly forces are permissible or which require compensation for larger gaps between sealing areas. It is also suitable for applications with minor movements caused by vibrations. The NLG series is characterized by extremely high temperature resistance and chemical resistance.

Features

- Cantilever spring for low sealing load and high compliance to long-term flange separation.

- Many high-resilience energizer options available, including choice of light, medium and heavy loads and NACE for oil field use.

Range of application

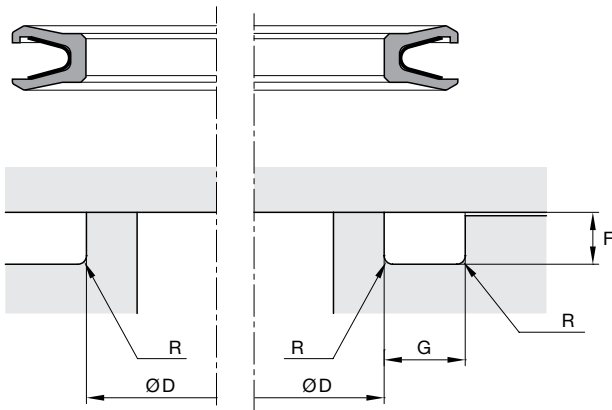
Flange sealing in medium-pressure applications, pressure gradient from outside to inside. Minor dynamics permissible.

Operating pressure	≤ 35 MPa
Operating temperature	-260 °C to +315 °C
Sliding speed	≤ 5 m/s

Compounds

The NLG seal is available in a wide range of polymers. These include unfilled PTFE, filled PTFE, UHMW-PE and many others. See the compound list for further information.

In case of special operating conditions (specific pressure loads, temperature, speed, use in water, HFA, HFB fluids etc.), please contact our consultancy service for a selection of the material and design best suiting your particular application requirements.



For surface finish, lead in chamfer and other installation dimensions see „General installation guidelines“.

Housing dimensions

Nominal cross-section	Cross-section code	Recommended inner Ø range		Groove depth range F (mm)	Groove width min. G (mm)	Radius max. R (mm)
		Tolerance h10				
		≥ D (mm)	≤ D (mm)			
1/16"	01	10	75	1.42 - 1.47	2.4	0.30
3/32"	02	14	125	2.26 - 2.31	3.6	0.50
1/8"	03	25	400	3.07 - 3.12	4.8	0.50
3/16"	04	45	400	4.72 - 4.78	7.1	0.75
1/4"	05	85	450	6.05 - 6.12	9.5	0.75
3/8"	06	300	1400	9.47 - 9.58	15	0.75
1/2"	07	300	3000	12.70 - 12.80	18.0	0.75

Ordering example

Inside groove 70 mm

NLG-M007000-03-XXX-Y

NLG Profile
 M007000 Inner groove diameter (mm; times 100)
 03 Cross-section code corresponding to a 3.07 mm groove height
 XXX Jacket material
 Y Spring-energizer material

3 FlexiSeal®



The NRI product series features a FlexiSeal® design with a cantilever spring and is ideally suited for flange sealing in medium-pressure applications. It seals the pressure gradient from inside to outside. The NRI series is characterized by extremely high temperature resistance and chemical resistance.

Features

- Cantilever spring with high-load / high-compliance to resist permanent set and long-term flange separation.

- Wiper-type lips.
- Rigid spring acts as a control band to resist low-temperature shrinkage.
- Available in large cross-sections, ideal for large-diameter seals.
- NACE-approved energizers available for oil field use.

Range of application

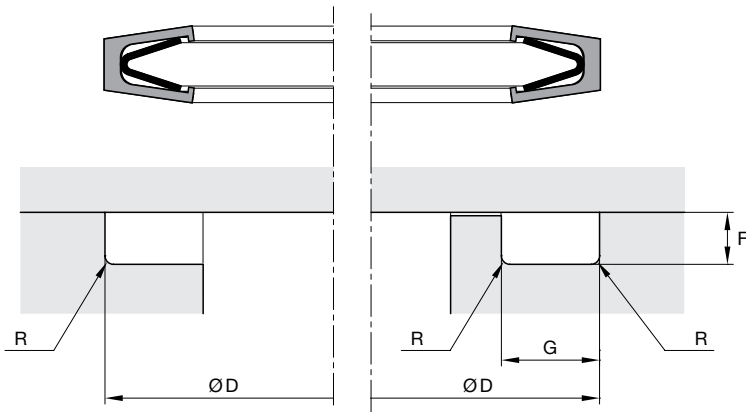
Flange sealing in medium-pressure applications, pressure gradient from inside to outside. Cryogenic applications.

Operating pressure	≤ 35 MPa
Operating temperature	-260 °C to +315 °C
Sliding speed	≤ 0.005 m/s

Compounds

The NRI seal is available in a wide range of polymers. These include unfilled PTFE, filled PTFE, UHMW-PE, PEEK and many others. See the compound list for further information.

In case of special operating conditions (specific pressure loads, temperature, speed, use in water, HFA, HFB fluids etc.), please contact our consultancy service for a selection of the material and design best suiting your particular application requirements.



For surface finish, lead in chamfer and other installation dimensions see „General installation guidelines“.

Housing dimensions

Nominal cross-section	Cross-section code	Recommended outer Ø range		Groove depth range	Groove width min.	Radius max.
		Tolerance H10				
		D (mm)	D (mm)	F (mm)	G (mm)	R (mm)
		≥	≤			
3/16"	04	50	300	4.72 - 4.78	9.0	0.75
1/4"	05	80	1000	6.05 - 6.12	10.0	0.75
3/8"	06	150	1200	9.47 - 9.58	13.5	0.75
1/2"	07	200	3000	12.70 - 12.80	18.5	0.75

Ordering example

Outside groove 100 mm

NRI-M010000-04-XXX-Y

NRI Profile
 M010000 Outer groove diameter (mm; times 100)
 04 Cross-section code corresponding to a 4.62 mm groove height
 XXX Jacket material
 Y Spring-energizer material

3 FlexiSeal®



The HRI product series features a FlexiSeal® design with a cantilever spring and is ideally suited for flange sealing in high-pressure applications. It internally seals the pressure gradient against the outside. The HRI series is characterized by extremely high temperature resistance and chemical resistance.

Features

- Extended heel reduces effects of extrusion.
- Cantilever spring with high-load / high-compliance to resist permanent set and long-term flange separation.

- Wiper-type lips.
- Rigid spring acts as a control band to resist low-temperature shrinkage.
- Available in large cross-sections, ideal for large-diameter seals.
- NACE-approved energizers available for oil field use.

Range of application

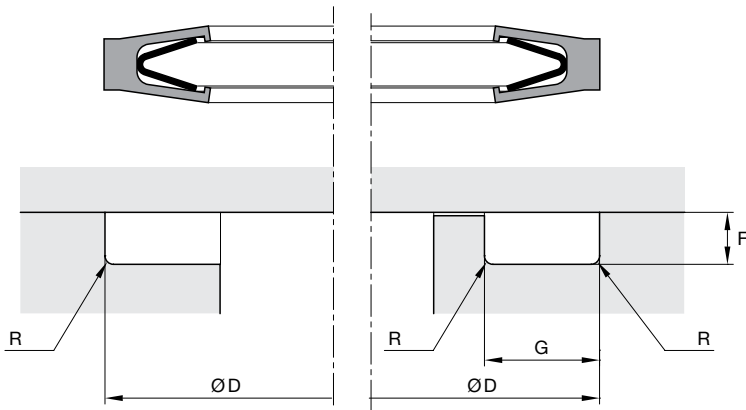
Flange sealing in high-pressure applications, pressure gradients from inside to outside. Cryogenic applications.

Operating pressure	≤ 55 MPa
Operating temperature	-260 °C to +315 °C
Sliding speed	≤ 0.005 m/s

Compounds

The HRI seal is available in a wide range of polymers. These include unfilled PTFE, filled PTFE, UHMW-PE, PEEK and many others. See the compound list for further information.

In case of special operating conditions (specific pressure loads, temperature, speed, use in water, HFA, HFB fluids etc.), please contact our consultancy service for a selection of the material and design best suiting your particular application requirements.



For surface finish, lead in chamfer and other installation dimensions see „General installation guidelines“.

Housing dimensions

Nominal cross-section	Cross-section code	Recommended outer Ø range		Groove depth range	Groove width min.	Radius max.
		Tolerance H10				
		D (mm)		F (mm)	G (mm)	R (mm)
		≥	≤			
3/16"	04	50	300	4.72 - 4.78	9.9	0.75
1/4"	05	80	1000	6.05 - 6.12	11.8	0.75
3/8"	06	150	1200	9.47 - 9.58	16.0	0.75
1/2"	07	200	3000	12.70 - 12.80	21.0	0.75

Ordering example

Outside groove 100 mm

HRI-M010000-04-XXX-Y

HRI Profile
 M010000 Outer groove diameter (mm; times 100)
 04 Cross-section code corresponding to a 4.62 mm groove height
 XXX Jacket material
 Y Spring-energizer material



The NRE product series features a FlexiSeal® design with a cantilever spring and is ideally suited for flange sealing in medium-pressure applications. It seals the pressure gradient from outside to inside. The NRE series is characterized by extremely high temperature resistance and chemical resistance.

Features

- Cantilever spring with high-load / high-compliance to resist permanent set and long-term flange separation.

- Wiper-type lips.
- Available in large cross-sections, ideal for large-diameter seals.
- NACE-approved energizers available for oil field use.

Range of application

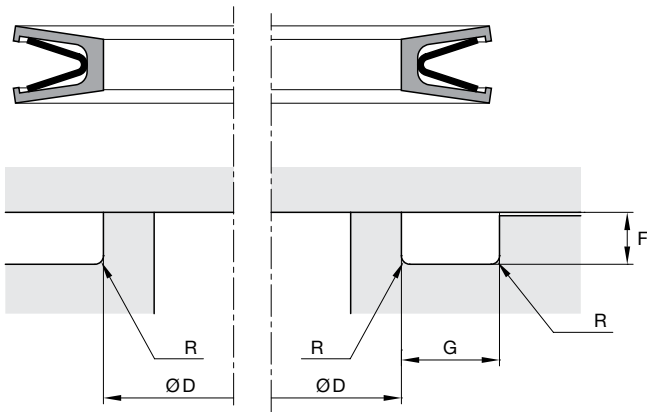
Flange sealing in medium-pressure applications, pressure gradient from outside to inside. Cryogenic applications.

Operating pressure	≤ 35 MPa
Operating temperature	-260 °C to +315 °C
Sliding speed	≤ 0.005 m/s

Compounds

The NRE seal is available in a wide range of polymers. These include unfilled PTFE, filled PTFE, UHMW-PE, PEEK and many others. See the compound list for further information.

In case of special operating conditions (specific pressure loads, temperature, speed, use in water, HFA, HFB fluids etc.), please contact our consultancy service for a selection of the material and design best suiting your particular application requirements.



For surface finish, lead in chamfer and other installation dimensions see „General installation guidelines“.

Housing dimensions

Nominal cross-section	Cross-section code	Recommended inner Ø range		Groove depth range F (mm)	Groove width min. G (mm)	Radius max. R (mm)
		Tolerance h10				
		≥ D (mm)	≤ D (mm)			
3/16"	04	50	300	4.72 - 4.78	9.0	0.75
1/4"	05	80	1000	6.05 - 6.12	10.0	0.75
3/8"	06	150	1200	9.47 - 9.58	13.5	0.75
1/2"	07	200	3000	12.70 - 12.80	18.5	0.75

Ordering example

Inside groove 100 mm

NRE-M010000-04-XXX-Y

- NRE Profile
- M010000 Inner groove diameter (mm; times 100)
- 04 Cross-section code corresponding to a 4.62 mm groove height
- XXX Jacket material
- Y Spring-energizer material

3 FlexiSeal®



The HRE product series features a FlexiSeal® design with a cantilever spring and is ideally suited for flange sealing in high-pressure applications. It seals the pressure gradient from outside to inside. The HRE series is characterized by extremely high temperature resistance and chemical resistance.

Features

- Extended heel reduces effects of extrusion.
- Cantilever spring with high-load / high-compliance to resist permanent set and long-term flange separation.

- Wiper-type lips.
- Available in large cross-sections, ideal for large-diameter seals.
- NACE-approved energizers available for oil field use.

Range of application

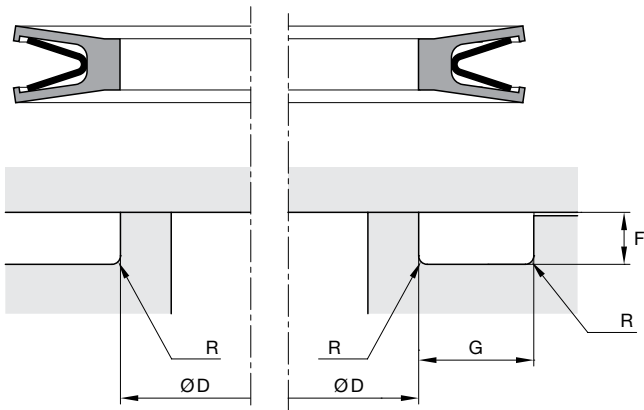
Flange sealing in high-pressure applications, pressure gradient from outside to inside. Cryogenic applications.

Operating pressure	≤ 55 MPa
Operating temperature	-260 °C to +315 °C
Sliding speed	≤ 0.005 m/s

Compounds

The HRE seal is available in a wide range of polymers. These include unfilled PTFE, filled PTFE, UHMW-PE, PEEK and many others. See the compound list for further information.

In case of special operating conditions (specific pressure loads, temperature, speed, use in water, HFA, HFB fluids etc.), please contact our consultancy service for a selection of the material and design best suiting your particular application requirements.



For surface finish, lead in chamfer and other installation dimensions see „General installation guidelines“.

Housing dimensions

Nominal cross-section	Cross-section code	Recommended inner Ø range		Groove depth range F (mm)	Groove width min. G (mm)	Radius max. R (mm)
		Tolerance h10				
		D (mm)				
		≥	≤			
3/16"	04	50	300	4.72 - 4.78	9.9	0.75
1/4"	05	80	1000	6.05 - 6.12	11.8	0.75
3/8"	06	150	1200	9.47 - 9.58	16.0	0.75
1/2"	07	200	3000	12.70 - 12.80	21.0	0.75

Ordering example

Inside groove 100 mm

HRE-M010000-04-XXX-Y

HRE Profile
M010000 Inner groove diameter (mm; times 100)
04 Cross-section code corresponding to a 4.62 mm groove height
XXX Jacket material
Y Spring-energizer material

3 FlexiSeal®

3 FlexiSeal®

3.4 Non-standard FlexiSeal® types

Besides the standard range of FlexiSeals® there are many additional, non-standard types which have been developed, customized and proven over the years for specific applications in many different industries and final products. Our consultancy service will frequently recommend these for special requirements. Dimensional data has not been provided as many of these seal types are customized for specific applications and groove configurations which differ from the standard recommendations.

To order or request a quotation for a non-standard FlexiSeal®, please advise us of all your requirements by completing the “Application data sheet” included in chapter 7 of this design manual. Please forward the completed form to our consultancy service or to your local sales consultant. Our consultancy service will respond quickly with detailed recommendations.

Most non-standard FlexiSeal® types can be conveniently grouped within the following categories

- Radial seals for rotary, reciprocating and static sealing
- Radial wiper and wiper seals
- Radial flanged seals for high speed rotary sealing and cryogenic applications
- Radial seals to fit into standard lip seal grooves
- Double cavity seals to suit large groove sections
- Trapped anti-blowout seals
- Conical seals
- Closed seals for sanitary/food applications
- Double-acting seals
- Seals with canted coil spring
- Shaped seals
- FlexiSeals® for standard O-ring grooves

3.4.1 Radial seals for rotary, reciprocating and static sealing

3.4.1.1 Asymmetrical lip length

The long lip design serves as a lip protection device in low-pressure reciprocating applications or in case of reverse pressure difference (back-pressure).

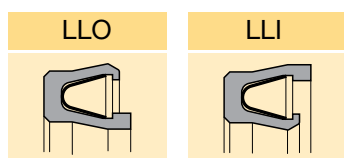


Fig. 3.11 FlexiSeal® types with asymmetrical lip length

3.4.1.2 Asymmetrical lip thickness

Seal designs with asymmetrical lip thickness can be used when additional wear resistance is required on the dynamic side of the application.

In cryogenic environments a thinner outer lip will help to restrict the shrinking forces on the spring element.

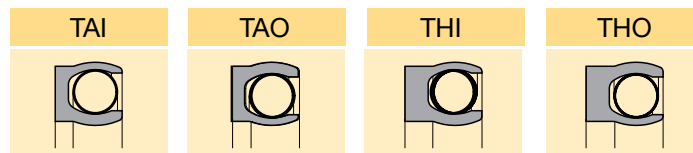


Fig. 3.12 FlexiSeal® types with asymmetrical lip thickness

3.4.1.3 Semi-exposed spring

A semi-exposed spring serves as a lip protection device in case of a reverse pressure difference (back-pressure). When the spring touches the front of the groove wall, an additional radial sealing force is generated.

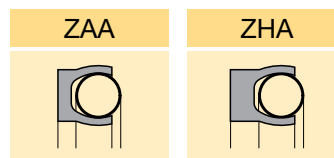


Fig. 3.13 FlexiSeal® types with semi-exposed spring

3.4.2 Radial wipers

These seal designs prevent abrasive particles from accumulating between the seal lip and the mating surface, which increases wear of the seal and the mating surface. The wiper feature is available with both helical and cantilever spring types.

FlexiSeal® profiles SAI and SAO are intended for intermittent or slow dynamic applications with wiper function on the inner or outer diameter. Their shorter dynamic lip reduces friction in pressurized conditions. Types SHI and SHO are high-pressure versions.

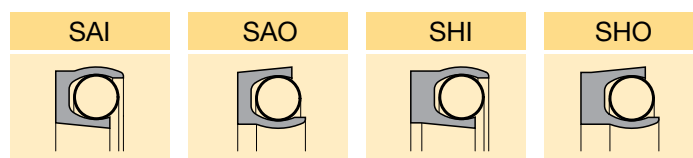


Fig. 3.14 FlexiSeal® wiper/wiper types with asymmetrical lip length

The profiles BAA, BHA and BLA have a symmetrical wiper lip design and can be used for reciprocating or rotating movements on either inner or outer diameter.

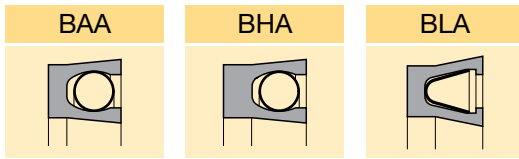


Fig. 3.15 FlexiSeal® wiper/wiper types with symmetrical lip

3.4.3 Flanged radial seals for high-speed rotary sealing and cryogenic applications

The flange feature prevents the seal from rotating within its groove as the high-speed hardware rotates against the seal's surface. In cryogenic environments or applications with large temperature variations a restrained outside flange minimizes seal shrinkage so that it maintains firm contact against the mating surfaces.

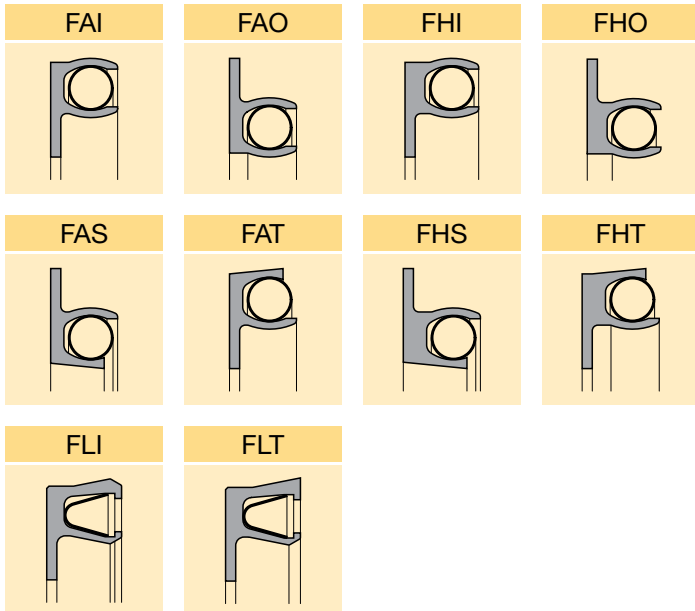


Fig. 3.16 Flanged FlexiSeal® types

3.4.4 Radial rotary seals to fit into standard grooves for elastomeric lip seals

These special seals are designed for high-speed applications and fit into existing standard elastomeric lip seal grooves. The elastomeric O-ring prevents the seal from rotating with the dynamic side and provides a secondary sealing function at the static side.

An additional metal retainer ring (RRI) prevents thermally induced shrinkage in case of large-diameter seals and extreme temperatures.

All types are also available with a dynamic wiper lip.

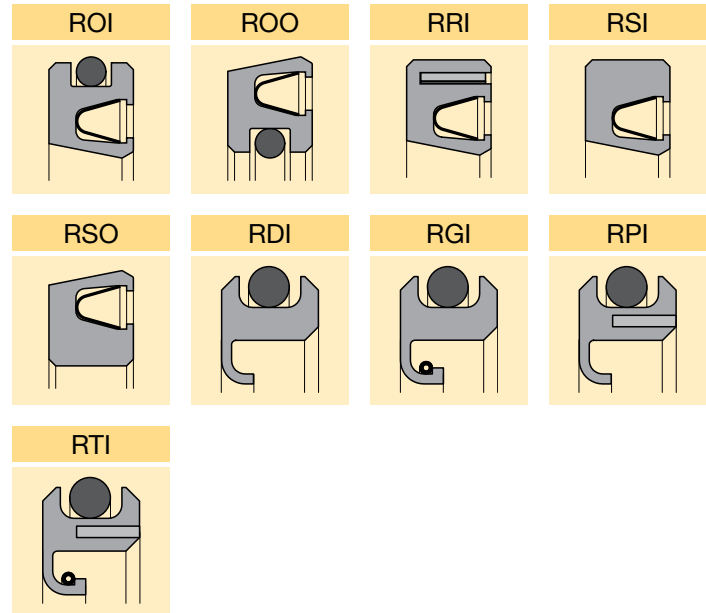


Fig. 3.17 Rotary FlexiSeal® types and lip seals to fit into standard grooves for elastomeric lip seals

3.4.5 Double-cavity seals to suit large groove sections

Double-cavity seals are available to fill large groove heights when the groove length is limited.

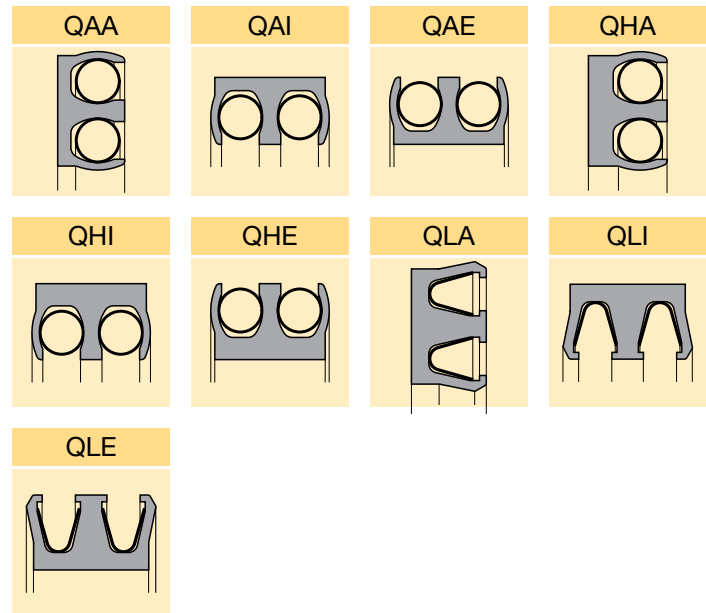


Fig. 3.18 FlexiSeal® types with double spring cavity

3 FlexiSeal®

3 FlexiSeal®

3.4.6 Trapped anti-blowout seals

These specific seal designs are used where rapid fluid flow may dislodge a non-trapped seal from its sealing groove. Constraint in a pocket also provides additional control over thermal movement of the seal.

A typical application is a butterfly valve where the AAI type is secured in its groove when exposed to high velocities when the pressurized valve is opened.

Anti-blowout designs are also used when the seal needs to pass port holes.

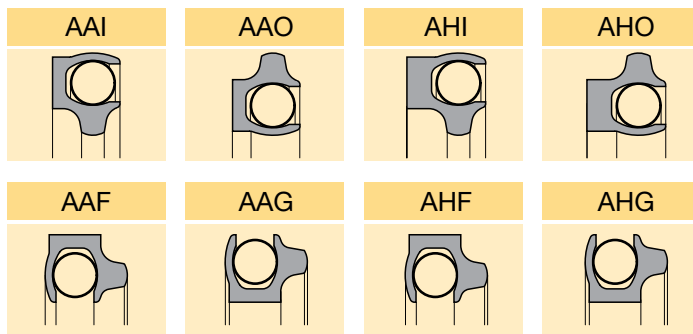


Fig. 3.19 Trapped anti-blowout FlexiSeal® types

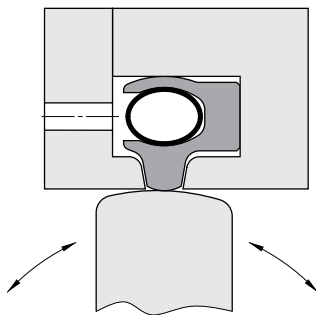


Fig. 3.20 Anti-blowout FlexiSeal® in a butterfly valve

3.4.7 Conical seals

These seals suit applications such as angular ball valves and poppet valves which have conical sealing surfaces. Conical seals in anti-blowout configuration are available as well.

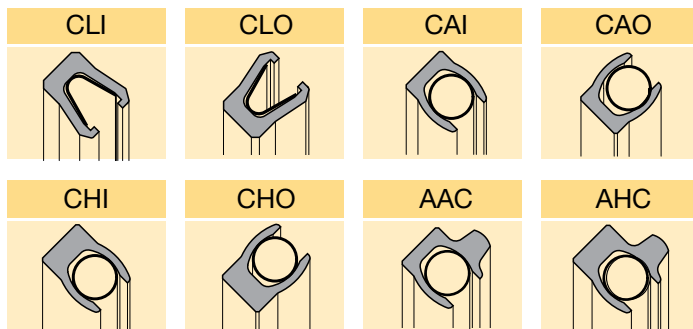


Fig. 3.21 Conical FlexiSeal® types

3.4.8 Closed seals for sanitary/food applications

A closed seal design prevents the medium from getting trapped in the spring and allows an easier cleaning process. It also protects the spring against chemical attack from the medium. Typical applications are food filling and other dispensing equipment.

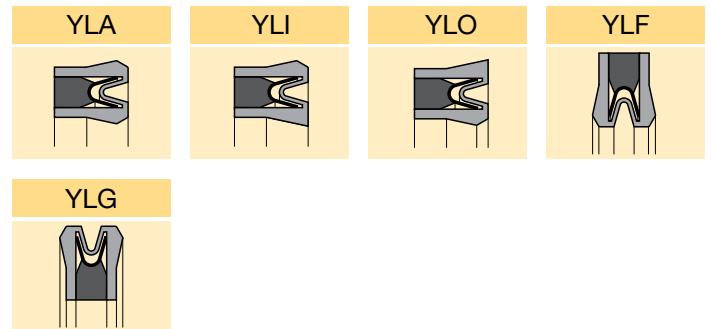


Fig. 3.22 Closed FlexiSeal® types

3.4.9 Double-acting seals

Double-acting seals are designed for exposure in reversing system pressures. Only for low-pressures. Optional use of metallic stand-off rings for protection against collision of the lips with the groove front wall.

If the application conditions are less severe, please refer to our Slipper Seal® section for additional double-acting seal types.

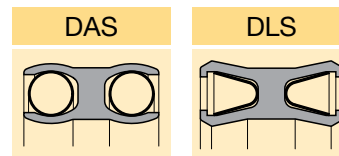


Fig. 3.23 Double-acting FlexiSeal® types

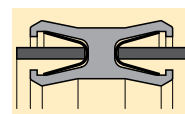


Fig. 3.24 Double-acting FlexiSeal® with stand-off rings

3.4.10 Seals with canted coil spring

These seal types feature a spring made from a round wire that is coiled into a canted or slanted shape. The result is a very flat load versus deflection curve, which makes them particularly suitable for sensitive friction applications where a low and constant load is required over a wide deflection range.

The canted coil design is intended for dynamic reciprocating and rotary applications but can also be used in static conditions when wide groove tolerance or misalignment is present.

The spring can be formed with extremely small coil diameters which lends itself for use in sealing applications with small

cross-sections and small diameters. Available in radial and face seal configurations.

Refer to chapter 3.6.7 for more information on the canted coil spring design.



Fig. 3.25 Canted coil spring

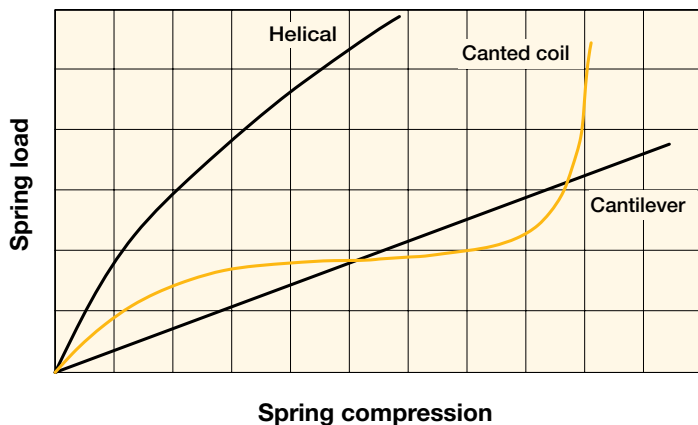


Fig. 3.26 Canted coil spring load curve

3.4.11 Shaped seals

Seal profiles with helical or canted coil springs can be formed into special, non-circular shapes.

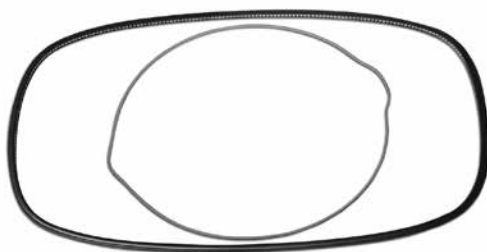


Fig. 3.27 Shaped FlexiSeal® types

3.4.12 FlexiSeals® for standard O-ring grooves

Standard grooves for elastomeric O-rings can also be used with FlexiSeals® when the operating conditions are too demanding. Parker offers FlexiSeals® in a complete range of sizes conforming to the following O-ring groove specifications

MIL-G-5514 Standard Grooves

- Standard Industrial (Fractional) Grooves
- Aerospace Standard AS4716 Grooves
- Japanese Industrial Grooves JIS B-2406

Please contact our consultancy service or your local sales representative for more information.

3.5 FlexiSeal® material selection

3.5.1 Jacket material

Parker draws on hundreds of PTFE compounds and other polymeric materials to manufacture the FlexiSeal® jacket profile. Our material range includes unfilled PTFE, standard and speciality filled PTFE compounds, TFM blends, UHMW polyethylene, thermoplastics, PEEK, polyimide, ... Parker can meet your material requirements for polymer sealing in most environmental and operating conditions.



Fig. 3.28 FlexiSeal® raw material

The FlexiSeal® jacket material is designated with a single code in the standard part number (see table 3.1)

XXX-M000000-00-000-0

Table 3.1 is a selection of our most popular jacket materials used for FlexiSeal®. Make an initial, possibly multiple, selection of all materials with appropriate application descriptions and service temperature ranges. The final selection may then be made using the performance rating values to choose a material with the best combination of characteristics for the intended service.

For guidance on selection of a material other than the ones listed, please contact our consultancy service.

3 FlexiSeal®

Compound code ⁴⁾	Polymer base	Colour	Temperature range (°C) ¹⁾		Wear resistance ³⁾	Pressure / extrusion resistance ³⁾	Chemical compatibility ³⁾	FDA-compliant	API 6A	NORSOK M-710 compliant	Min. recommended dyn. surface hardness (HRC)	Remarks
Polon® 001	Virgin PTFE	white	-260	260	1	1	5	•			25	<ul style="list-style-type: none"> • best for static applications requiring positive sealing • good in vacuum with low gas permeability • good for cryogenic service
Polon® 002	PTFE + graphite	black	-260	300	2	3	4			•	25	<ul style="list-style-type: none"> • much better temperature resistance than virgin PTFE • better extrusion resistance and higher wear resistance • excellent for corrosive service, steam and hot water applications • ideal for unlubricated service
Polon® 003	PTFE + glas fibre/ MoS ₂	grey	-240	300	5	4	4				60	<ul style="list-style-type: none"> • excellent wear resistance because of internal lubrication with MoS₂ • often used for high-pressure extrusion resistance or high speed, high-pressure rotary applications • only for use on very hard mating surface because of its abrasive properties
Polon® 004	PTFE + bronze	bronze	-260	300	5	5	2				45	<ul style="list-style-type: none"> • highly filled compound with excellent wear, temperature and pressure resistance • ideal for high-speed applications • limitations in use because of chemical incompatibilities
Polon® 005	PTFE + aromatic polyester	cream	-260	315	3	3	3	•	•	•	25	<ul style="list-style-type: none"> • a dynamic material for softer mating surfaces and a static material for high temperatures • excellent wear resistance without abrasion • not recommended for applications involving steam > 120 °C
Polon® 006	UHMW-PE	trans-lucent	-200	80	1 ²⁾	5	1	•			35	<ul style="list-style-type: none"> • among the toughest, most wear-resistant materials but with limited temperature and chemical resistance • intended for reciprocating or very slow rotary applications • good lubricity in water • can serve in cryogenic conditions • higher coefficient of friction than PTFE
Polon® 007	PTFE + carbon/graphite	black	-260	300	4	4	4		•		50	<ul style="list-style-type: none"> • particularly suited for highly corrosive service • widely used in dynamic steam and water applications • excellent general purpose material and often used in rotary applications • performs well in non-lubricated systems
Polon® 009	modified virgin PTFE	white	-260	280	1	1	5	•	•	•	25	<ul style="list-style-type: none"> • similar to virgin PTFE but lower gas permeability, higher extrusion resistance and smoother surface on machined parts • can be used in slow, infrequent dynamics • good for cryogenic service
Polon® 031	modified PTFE + glas fibre	ivory	-260	300	4	5	4		•	•	60	<ul style="list-style-type: none"> • has positive impact on pressure resistance • improves wear resistance and offers good compressive strength • only for use on very hard mating surfaces • do not use with strong bases or hydrofluoric acid
Polon® 045	PTFE + carbon fibre	black	-260	300	4	4	4		•	•	50	<ul style="list-style-type: none"> • carbon fibre lowers creep, increases flexural and compressive modulus and raises hardness • thermal expansion is lower and electrical conductivity is higher • good for strong bases and hydrofluoric acids • excellent wear behaviour in aqueous environment

Compound code ⁴⁾	Polymer base	Colour	Temperature range (°C) ¹⁾		Wear resistance ³⁾		Pressure / extrusion resistance ³⁾	Chemical compatibility ³⁾	FDA-compliant	API 6A	NORSOK M-710 compliant	Min. recommended dyn. surface hardness (HRC)	Remarks
Polon® 063	PTFE + proprietary carbon fibre	brown / red	-260	300	4	4	4	3			•	50	<ul style="list-style-type: none"> • excellent all-purpose material • best for dynamic applications running on moderate to hard surfaces • high wear-rate material with low abrasion
Polon® 074	PTFE + carbon fibre	black	-260	300	4	3	3	3	•			50	<ul style="list-style-type: none"> • excellent wear behaviour in water hydraulics • recommended for high-frequency/short-stroke applications
Polon® 0V6	Proprietary filled PTFE	dark brown	-260	300	5	3	3	3			•	25	<ul style="list-style-type: none"> • best wear resistance among filled PTFEs • gentle to soft mating surfaces
nobrox® W61	PK	orange brown	-40	120	5	5	5	3				35	<ul style="list-style-type: none"> • excellent wear resistance

Notes

- ¹⁾ High temperature end is subjected to extrusion gap guidelines.
 - ²⁾ Not recommended in rotary applications due to frictional heat generation.
 - ³⁾ 1 is lowest, 5 is highest rating.
 - ⁴⁾ For anti-extrusion ring materials refer to section anti-extrusion-rings.
- We emphasize that this table should be used as a guide only. The data provided above is based primarily on laboratory and service tests, but does not take into account all variables that can be encountered in actual use. Therefore, it is always advisable to test the material under actual service conditions before specification. If this is not practical, tests should be designed in such a way that service conditions are simulated as closely as possible.

Tab. 3.1 FlexiSeal® jacket material selection

3.5.2 Energizer material

The FlexiSeal® energizer material is designated with a single code in the standard part number (table 3.3):

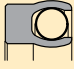
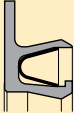
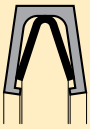
XXX-M000000-00-000-0

Refer to the tables 3.2 and 3.3 to select the spring energizer code for your seal type and application.

Energizer material	Application
300 series stainless steel (301, 302, 304)	<ul style="list-style-type: none"> • general-purpose spring material for most media up to 315 °C • recommended up to 200 °C in corrosive media • low-cost • standard material for cantilever springs
316 stainless steel	<ul style="list-style-type: none"> • 316 provides additional corrosion resistance due to its higher nickel and molybdenum content • typically used in food and sea water applications • limited availability in cantilever springs
17/7 PH stainless steel	<ul style="list-style-type: none"> • exhibits better retention of mechanical properties at temperatures above 200 °C than 300 series stainless steel • precipitation-hardenable • standard material for helical springs
Cobalt-chromium-nickel alloy	<ul style="list-style-type: none"> • originally developed as a spring material for watches • known for its excellent resistance to severe corrosive environments and use at temperatures above 260 °C • commonly used in oil industry applications • standard material for helical and cantilever springs • NACE-approved material
Inconel® X-750	<ul style="list-style-type: none"> • offers highest corrosive resistance • commonly used in high-temperature environments • NACE-approved material • limited availability in helical and cantilever springs
Hastelloy® C-276	<ul style="list-style-type: none"> • resistant in severely corrosive media when temperature exceeds 200 °C • limited availability in helical springs

Tab. 3.2 FlexiSeal® energizer material selection

3 FlexiSeal®

Seal profile	Spring type	Material	Standard code no.	Availability	Light / heavy versions ²⁾	Nace-compliant ¹⁾
	helical	17/7 PH stainless steel	1	standard	standard	
		Cobalt-chromium-nickel alloy	2	standard	standard	optional
		Inconel® X-750		optional	optional	optional
		Hastelloy® C-276		optional	optional	
	cantilever	Cobalt-chromium-nickel alloy	2	standard		optional
		Cobalt-chromium-nickel alloy+silicone filling	2S	standard		
		304 stainless steel	4	standard		
		304 stainless steel+silicone filling ³⁾	4S	standard		
		316 stainless steel		optional	optional	
		301 stainless steel		optional	optional	
		302 stainless steel		optional	optional	
		Inconel® X-750		optional	optional	optional
	full contact cantilever	Cobalt-chromium-nickel alloy		optional		optional
		316 stainless steel		optional		
		301 stainless steel	4	standard		
		Inconel® X-750		optional		optional

Notes

- ¹⁾ For use in H₂S corrosive service per specification NACE MR-01-75/ISO 15156-3.
- ²⁾ To specify a light spring version to reduce sealing force, add Y to the energizer code (1Y, 2Y, etc.). To specify a heavy spring version to increase sealing force, add X to the energizer code (1X, 2X, etc.).
- ³⁾ An FDA approved silicone filling prevents the medium from getting trapped in spring cavity which may result in contamination. It thus allows the seal to be used in food processing applications.

Using an elastomeric O-ring as an energizing element can be an alternative in case of high volumes and/or small diameters or to prevent medium to enter the seal cavity. Applicability is limited to the temperature and chemical resistance of the elastomer. A wide range of elastomeric materials is available: NBR, EPDM, FKM, silicone, etc. Please contact our consultancy service for more details.

A seal with an optional spring energizer material will become a non-standard item and needs to be specified on the Application data sheet form (see appendix). For additional energizer materials, please contact our consultancy service for assistance.

Inconel® is a registered trademark of the Special Metals Corporation. Hastelloy® is a registered trademark of Haynes International, Inc.

Tab. 3.3 FlexiSeal® energizer material availability

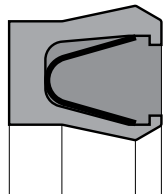


Fig. 3.29 Silicone-filled FlexiSeal®

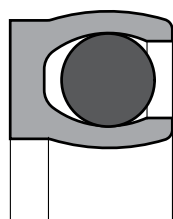


Fig. 3.30 FlexiSeal® with elastomeric O-ring energizer

3.6 Technical information

3.6.1 Groove design and installation guidelines

3.6.1.1 Two-piece grooves or open groove configuration

Parker FlexiSeals® are rigid in comparison to seals made from elastomeric materials. They can be damaged if stretched or compressed beyond their material limitations. It is recommended that a two-piece, split-groove design be used whenever possible. This allows easy installation or removal of the FlexiSeal® without the need for additional tooling and will greatly reduce the risk of damage to the seal.

It is necessary that all edges across which the seal might pass during installation are blended and very smooth to prevent damage to the seal.

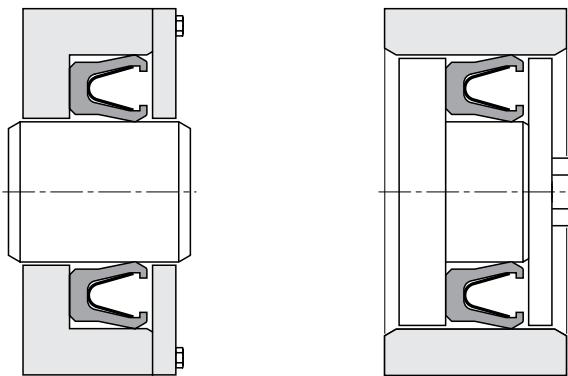


Fig. 3.31 Two-piece rod and piston grooves; left: rod, right: piston

3.6.1.1.1 Heel-first installation

When installing the FlexiSeal® with the heel or non-pressure side first, the lead-in chamfers may be smaller than for lips-first installation of the seal.

The FlexiSeal® is designed with a slight clearance at the heel diameter and is also chamfered. If lead-in chamfer angles cannot be made, a full polished radius may be used. Both designs must be very smooth and free from sharp edges which might damage the seal.

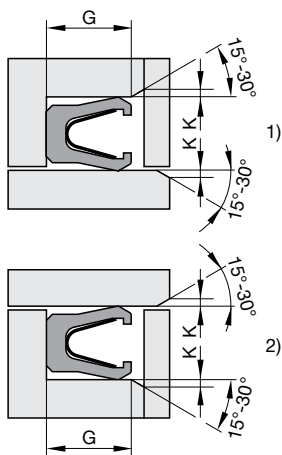


Fig. 3.32 Two-piece groove "heel-first" installation; 1) rod, 2) bottom: piston

Nominal cross-section	Cross-section code	Chamfer height K (mm)
1/16"	01	0.20
3/32"	02	0.30
1/8"	03	0.30
3/16"	04	0.40
1/4"	05	0.45
3/8"	06	0.60
1/2"	07	0.80

Tab. 3.4 Recommended "heel-first" lead-in chamfer

3.6.1.1.2 Lips-first installation

When installing the FlexiSeal® with the lips or pressure-side first, the lead-in chamfers must be longer than for heel-first installation. The FlexiSeal® is designed with pre-load interference on the lip diameters that require additional clearance to prevent damage during installation.

A stepped retention plate is required to provide a flat backed surface for the seal and to prevent extrusion into the lead-in angles. All chamfers must be very smooth and free from sharp edges which might damage the seal. If the necessary angles and retention plate cannot be accomplished, installation guiding tools are required.

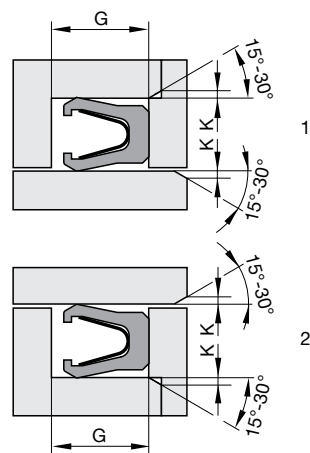


Fig. 3.33 Two-piece groove "lips first" installation; 1) rod, 2) piston

Nominal cross-section	Cross-section code	Chamfer height K (mm)
1/16"	01	0.90
3/32"	02	1.10
1/8"	03	1.25
3/16"	04	1.50
1/4"	05	1.75
3/8"	06	3.50
1/2"	07	4.00

Note

Sometimes a combination of heel-first and lips-first installation is required. When this occurs, match the appropriate table with the demands made on the chamfer.

Tab. 3.5 Tablenumber

3.6.1.2 Step-cut grooves or partially closed-groove configuration

Sometimes, the use of the open groove configuration is not practical or possible. An alternative to the open groove is the step-cut or partially closed-groove configuration.

This solid one-piece design has a reduced wall on the pressure side of the groove. This allows the seal to snap into the groove without the need for a separate retainer or installation tools.

3 FlexiSeal®

The step is designed to hold the seal in the groove during final assembly and under dynamic conditions such as low-pressure return strokes in reciprocating applications. In pressurized conditions, the FlexiSeal® is naturally held in the back of the groove.

The step-cut groove can be used for both rod and piston seals.

It is recommended that all edges across which the seal might pass during installation are blended and very smooth to prevent damage to the seal.

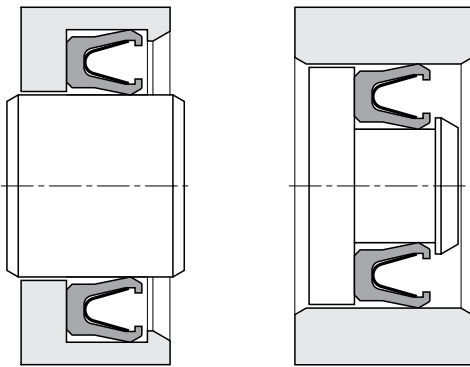


Fig. 3.34 Step-cut grooves; left: rod, right: piston

The step-cut groove can only be used when the seal sees pressure from the open or spring side of the seal. This requires the seal to be installed heel or non-pressure side first, snapping the seal lips behind the retention step. After installing the seal in the groove, the assembly can be pushed into a piston bore or over a rod.

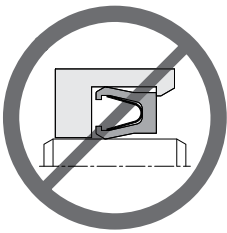


Fig. 3.35 Incorrect installation in step-cut groove

3.6.1.2.1 Step-cut groove in rod mode

The correct installation is achieved by first bending the FlexiSeal® into a slight elliptical shape and inserting one end into the groove followed by pressing the sides of the seal into the groove. The remaining portion of the seal is then pressed inwards to snap into the groove and complete the installation.

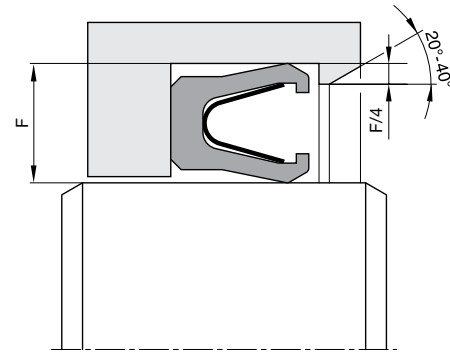


Fig. 3.36 Step-cut groove installation in rod mode

3.6.1.2.2 Step-cut groove in piston mode

Proper seal installation is accomplished by rapidly moving the seal over the retention step, minimizing seal distortion. A guide ramp tool may assist in the installation (see closed-grooves below).

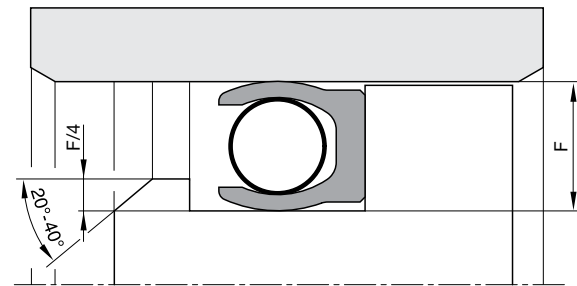


Fig. 3.37 Step-cut groove installation in piston mode

3.6.1.3 Closed-groove configuration

The least desirable groove design for the FlexiSeal® is the closed-groove design. It is strongly recommended to avoid this type of groove configuration if possible.

The seal cross-section, diameter and material are factors that determine whether the FlexiSeal® can be stretched into a solid piston groove or compressed into a rod seal housing. FlexiSeals® are more easily compressed into rod seal grooves than stretched into piston grooves.

FlexiSeals® with a helical spring element are more resistant to seal distortion than with a cantilever spring when installed in a closed-groove.

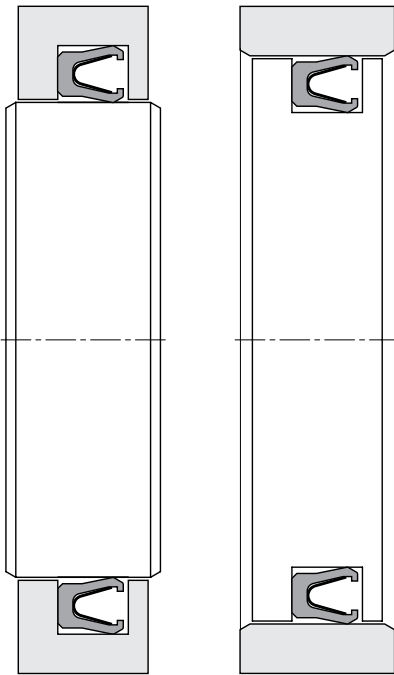


Fig. 3.38 Closed-groove configurations in rod and piston mode

3.6.1.3.1 Piston seal installation in closed-groove

A stretching guide ramp and resizing tool should be fabricated to assist in installing the FlexiSeal® in a fully closed-groove. Additionally, a flexible pusher tool may help in generating an equal pressure distribution over the seal circumference during the stretching process. As a general guideline, this type of installation should not be employed unless the inner diameter of the seal is at least 15 times its cross-section height. Otherwise permanent seal deformation may occur, affecting sealing integrity. Typical tool materials are POM or PVC.

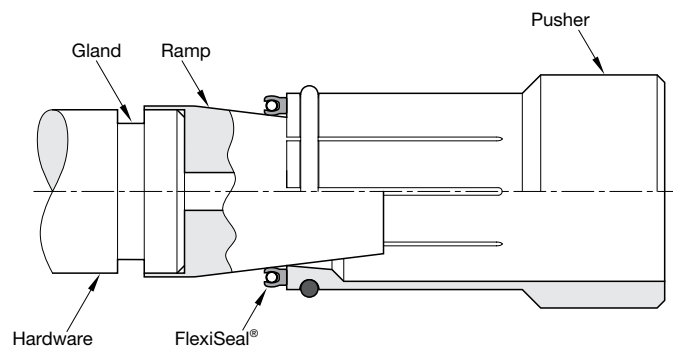


Fig. 3.39 Stretching guide ramp, pusher and resizing tool

Step 1 Positioning

Place the seal on the guide ramp.

Optional preheating of the seal to as much as 150 °C in either oil, air or water will soften the jacket material and aid in stretching and installing the seal. Care must be taken not to damage the seal in the softened state and to prevent burns when using this option.

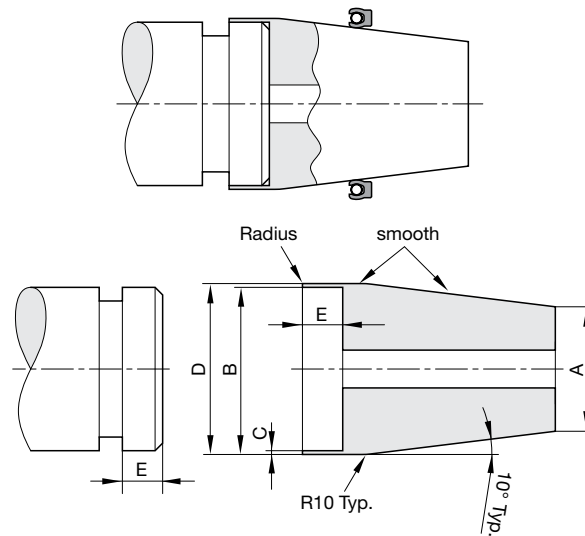


Fig. 3.40 Installation step 1: positioning of the FlexiSeal® on the guiding ramp

Dimension	Equals	Tolerance
A	minimum seal inner diameter 2 × seal height	ref.
B	maximum hardware outer diameter + 0.05	+ 0.10 / - 0
C ¹⁾	0.30 if B ≤ 15 0.40 if 15 < B ≤ 35 0.50 if 35 < B ≤ 50 0.60 if 50 < B ≤ 80 0.75 if 80 < B ≤ 125 1.00 if 125 < B ≤ 175	± 0.03
D	B + (2 × C)	ref.

Note

¹⁾ If B > 175, please contact our consultancy service

Tab. 3.6 Installation step 1: positioning of the FlexiSeal® on the guiding ramp

Step 2 Stretching

The FlexiSeal® is pushed over the guide ramp until it snaps into the groove. This sequence must be carried out rapidly to minimize seal distortion while stretching.

3 FlexiSeal®

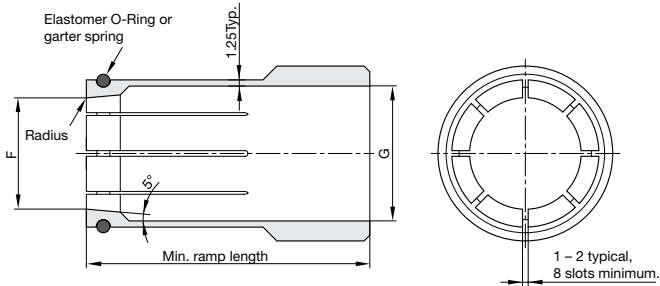
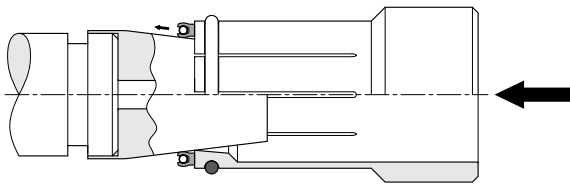


Fig. 3.41 Installation step 2: stretching of the FlexiSeal® into the groove

Dimension	Equals	Tolerance
F	smaller than seal inner diameter after installation of O-ring or garter spring	ref.
G	maximum hardware outer diameter + 0.05	+ 0.20 / -0

Tab. 3.7 Installation step 2: stretching of the FlexiSeal® into the groove

Step 3 Resizing

Typically, a FlexiSeal® will not return to its initial diameter after the stretching sequence and therefore cannot be installed in the hardware bore without causing damage to the seal. Especially when dealing with smaller diameters, a resizing tool is slid over the installed seal to compress it back to its original diameter. It is recommended that the compression on the seal is maintained for a few minutes to allow the material to recover.

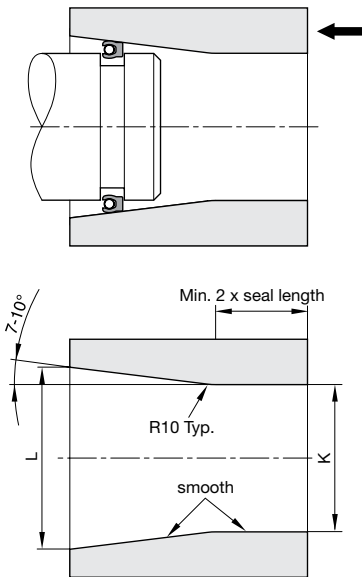


Fig. 3.42 Installation step 3: resizing

Dimension	Equals	Tolerance
K	groove inner diameter + 2 × seal height	+ 0.10 / -0
L	max. hardware outer diameter + 2 × seal height	ref.

Tab. 3.8 Installation step 3: resizing

Seals with an inner diameter of at least 100 times the cross-section can be installed by hand only. Start by inserting one seal end into the groove and then gradually progress with the installation towards the other end until this remaining end snaps into the groove.

3.6.1.3.2 Rod seal installation in closed-groove

The FlexiSeal® is temporarily deformed into an elliptical shape as it is inserted in the bore until the trailing edge is seated in the groove. This type of installation should not be employed unless the inner diameter of the seal is at least 25 times its cross-section height. It is recommended to break or smooth sharp groove edges to avoid damage to the sealing surfaces.

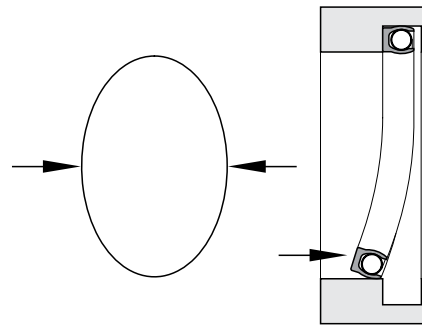


Fig. 3.43 Closed-groove installation in rod mode

Alternatively, a closed-groove with angled ramp feature makes installation possible from an inner seal diameter that is at least 15 times the cross-section height.

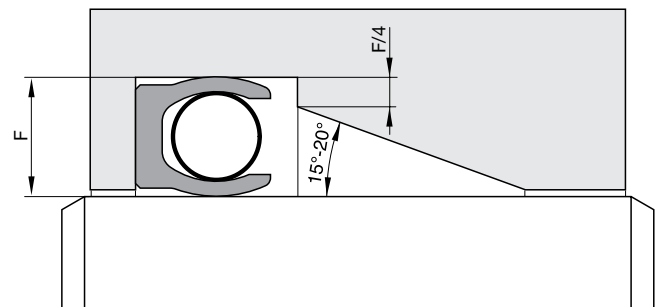


Fig. 3.44 Closed-groove installation in rod mode with ramp feature

3.6.1.4 Alternative grooves with snap ring retainer

For heel-first installation with a snap ring retainer, the snap ring groove is set into a reduced diameter to ensure that the seal does not pass over the edges. This design can be used for both rod and piston seals.

For lips-first installation with a support ring and snap ring retainer, the snap ring groove is also at a reduced diameter to prevent damage to the seal. The support ring must meet extrusion gap recommendations as outlined in this guide. Load ratings for snap rings must be considered to prevent fatigue or failure.

Note
It is the responsibility of the designer to test any alternate groove designs and/or components used to ensure that they meet all required operating conditions of their specific application.

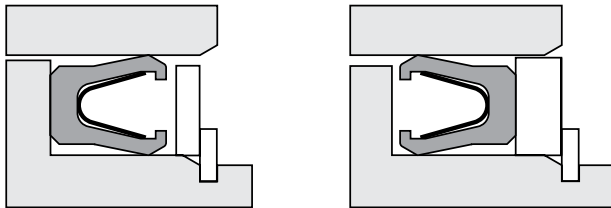


Fig. 3.45 Groove with snap ring retainer: "heel-first" and "lips-first" installation

3.6.2 Hardware surface finish and hardness

3.6.2.1 Mating surface finish recommendations

Proper surface finish of the seal groove is critical to ensure positive sealing and achieve the longest seal life possible in dynamic applications.

Mating surfaces that are too rough can create leak paths and be very abrasive to the seal. Unlike elastomeric contact seals, PTFE-based FlexiSeals® can run on very smooth surfaces with or without lubrication. Due to the toughness and low coefficient of friction of PTFE, FlexiSeals® slip over the high points of the mating surface and resist abrasion. To maximize seal performance, the recommendations for surface roughness in the next table should be followed.

Dynamic surfaces with relatively rough finishes will result in higher wear rates which decrease seal life and may compromise performance.

Media being sealed	Surface roughness R_a (μm)	
	Dynamic surfaces	Static surfaces
cryogenics	0.1 - 0.2	0.1 - 0.2
• helium gas	0.1 - 0.2	0.2 - 0.4
• hydrogen gas		
• freon		
• air	0.2 - 0.4	0.4 - 0.8
• nitrogen gas		
• argon		
• natural gas		
• fuel (aircraft and automotive)		
• water	0.2 - 0.4	0.4 - 1.6
• hydraulic oil		
• crude oil		
• sealants		

Tab. 3.9 Hardware surface roughness recommendations

Especially in dynamic reciprocating applications it is not sufficient to only indicate a maximum R_a -value to evaluate the suitability of a surface condition and how it will influence sealing performance and abrasion. As can be seen from fig. 3.46, significantly different surface textures can have similar R_a -values. It is clear that from a wear point of view, the surface roughness profile with plateau appearance from situation d) is preferred over a profile with peaks. Table 3.10 shows Parker's recommended combination of surface roughness parameters to obtain the plateau profile.

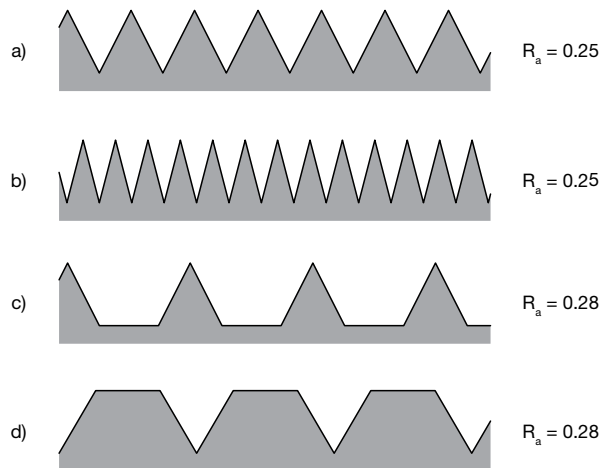


Fig. 3.46 Different surface roughness textures with similar R_a -values

Recommended surface roughness parameters			
average roughness	(μm)	R_a	0.2 max.
average peak-to-peak height	(μm)	R_z	1.2 max.
maximum peak height	(μm)	R_p	0.2 max.
bearing ratio	(%)	t_p	60 % min. with reference line at 0.25 R_z if $R_z > 10.5 R_a$ if $R_z < 1$

Tab. 3.10 Recommended surface roughness parameters for dynamic reciprocating applications

3.6.2.2 Mating surface hardness recommendations

Most dynamic applications require a hard running surface on the dynamic portion of the hardware. The harder surface allows use of seal materials with higher reinforcements that will increase both the seal and hardware life. Softer running surfaces must use seal materials with higher reinforcements that will not damage the hardware but normally yield shorter seal life. A balance between seal material and dynamic surface hardness must be achieved to ensure that the seal remains the sacrificial component.

The hardness of the dynamic surface affects the wear rate of the seal. Additionally, some seal jacket materials are abrasive and will wear softer metal shafts or dynamic components. In general, higher surface hardness results in better overall seal and hardware performance. The ideal hardness of dynamic hardware surfaces is 50 to 60 Rockwell C.

3 FlexiSeal®

Table 3.1 in chapter 3.5.1 includes minimum recommended surface hardnesses for Parker jacket materials in dynamic applications based on moderate temperature, motion and speed.

3.6.3 Friction information

Friction is the resistance to motion of one surface relative to another. In dynamic seal applications it is the resistance to rotation or reciprocation between the seal and the hardware mating surface. Frictional linear force which resists reciprocating motion and frictional torque which resists rotating motion are based on many factors. The key factors are:

- Diameter of the dynamic surface.
- Coefficient of friction of the tribological couple FlexiSeal® jacket/mating hardware
- The coefficient of friction is defined as the dimensionless ratio between the friction force between two surfaces and the contact force normal to those surfaces. The coefficient of friction depends on many variables (material, speed, contact pressure, hydrostatic pressure, surface condition, lubrication, ...) and can therefore only be quantified by experiment, not through calculation.
- Medium system pressure
- Spring type and material
- Geometry of the FlexiSeal® jacket cavity. As the active length J of the jacket cavity increases, the load and thus friction due to the hydrostatic medium pressure rises proportionally.

A first indicative value of the frictional force or torque between a FlexiSeal® and its dynamic mating surface can be calculated using the following equations

$$\text{Frictional linear force (N)} = \pi D \mu (pJ + S)$$

$$\text{Frictional torque (Nm)} = \pi D^2 \mu (pJ + S) / 2000$$

Where

- p Medium system pressure (MPa).
- D Dynamic mating surface diameter (mm). Use the rod diameter for rod seals and the groove bore diameter for piston seals.
- J Geometry factor of the jacket cavity (mm). Refer to table 3.11 for guideline values of standard FlexiSeal® types.
- S Spring factor (N/mm circumference). Check out the table 3.11 for reference values of standard FlexiSeal® springs in stainless steel.
- μ Coefficient of friction. Indicative values for some typical polymer materials in unlubricated conditions can be found in table 3.12.

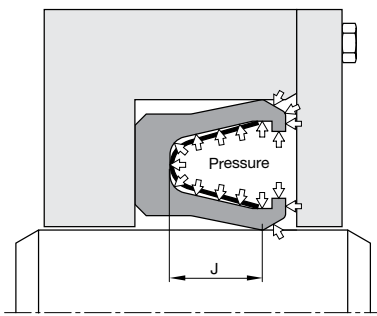


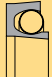
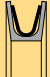


Fig. 3.47 Geometry factor for FlexiSeal® jacket

Nominal cross-section	Section code								
		S	J	S	J	S	J	S	J
1/16"	01	5	0.7	2	1.2	5	1.0	-	-
3/32"	02	5	1.0	2	1.9	5	1.4	-	-
1/8"	03	5	1.5	2	2.7	5	2.2	-	-
3/16"	04	5	2.4	2	4.1	5	3.8	10	6.6
1/4"	05	5	3.2	2	5.0	5	4.8	10	8.2
3/8"	06	5	4.6	2	8.9	5	6.3	10	10.4
1/2"	07	5	5.4	2	8.5	5	7.8	10	15.0

Tab. 3.11 Spring and geometry factor for standard FlexiSeals®

Polymer	Coefficient of friction μ
PTFE	0.10
UHMW-PE	0.25
Virgin PEEK	0.35

Tab. 3.12 Indicative values for coefficient of friction (unlubricated against steel)

3.6.4 Pressure capability battling extrusion gaps

The pressure capability of a FlexiSeal® is a function of temperature, seal material, seal design, time and extrusion gap.

An extrusion gap is the operational or manufacturing clearance between adjacent pressurized parts and is located on the low-pressure side of a seal.

Any seal subjected to hydrostatic loads will tend to be forced, or extruded, into such a gap. An excessive extrusion gap in the given application conditions will cause a polymer material to migrate towards the clearance until rupture in the jacket material and failure of the seal is inevitable.

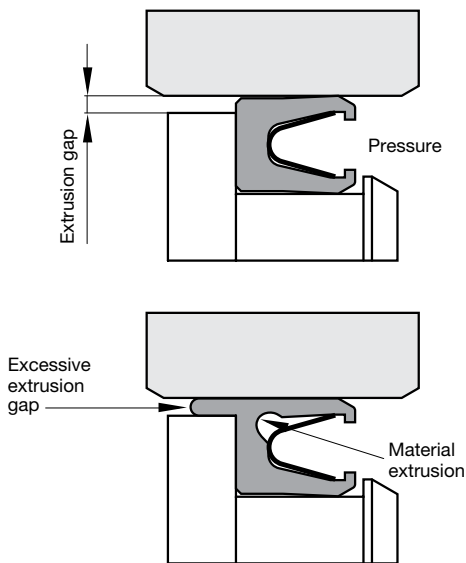


Fig. 3.48 Extrusion

The higher the temperature, the easier the seal jacket material will flow and extrude as the polymer material becomes softer. Some materials are more resistant to high-pressures than others because of their specific filler content or nature and are therefore less susceptible to extrusion and can accept larger gaps.

Radial FlexiSeals® with an extended heel design increase the pressure rating as they prevent extrusion with material added to the rear of the seal. This extra material acts as a built-in back-up device and fills the extrusion gap before damage is done to the rest of the seal.

Larger cross-section FlexiSeals® are more tolerant of larger extrusion gaps as they contain more material.

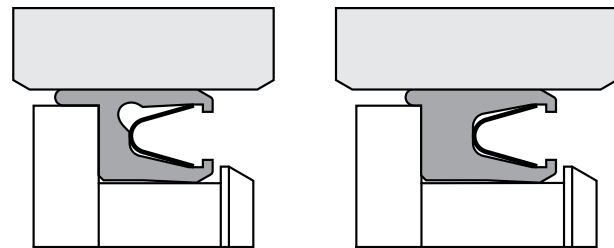


Fig. 3.49 Effect of an extended heel design on extrusion

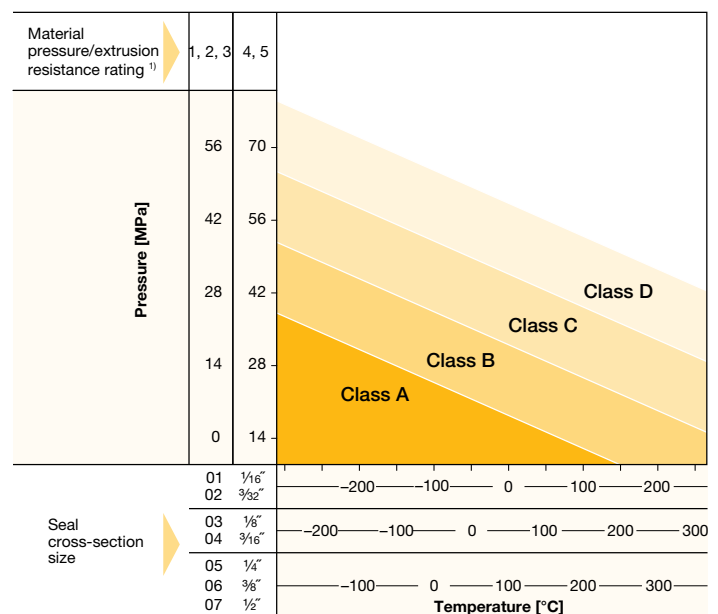
To determine the maximum recommended radial extrusion gap for a standard radial FlexiSeal®, refer to the graph and table 3.13 and go through the following steps:

1. Note the material pressure/extrusion rating from table 3.1
2. Locate the maximum pressure on the graph
3. Locate the maximum temperature for the appropriate seal cross-section
4. The intersecting point will determine the applicable extrusion gap class from the graph
5. From the table, determine the recommended extrusion gap for the various standard FlexiSeal® styles

For applications in which an extrusion gap below the maximum recommended values cannot be maintained, Parker offers a wide variety of separate back-up or anti-extrusion rings to reduce the seal's exposure to the gap.

Please refer to chapter 5 for more information on anti-extrusion rings or contact our consultancy service.


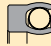


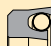
Eccentricity and shaft runout also affect the extrusion gap and should be considered in the seal design (see section 3.6.5).



¹⁾ Refer to table 3.1

Fig. 3.50 Extrusion gap class

3 FlexiSeal®

Cross-section		Class A	Class B	Class C	Class D
	NAA	0.15	0.10	0.08	0.05
	NHA	0.25	0.20	0.10	0.08
	FLO	0.15	0.08	0.05	-
	BAI	0.25	0.20	0.10	0.08
	BHI	0.30	0.25	0.15	0.10

Tab. 3.13 FlexiSeal® maximum recommended extrusion gap

3.6.5 Shaft eccentricity and runout

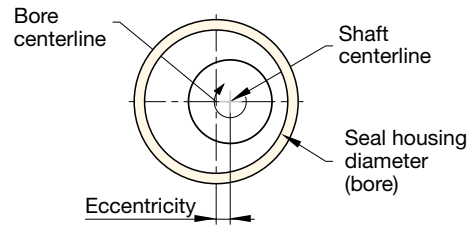
Applications with rotating shafts come with their own set of common problems. Among these are those associated with the shaft not being aligned properly with the surrounding hardware. Misalignment most commonly manifests itself as eccentricity and runout.

Eccentricity of a rotating shaft creates two problems. One is that it forces the seal lip to follow a shaft that is not centered in the bore, wearing the lip more on one side. The second potential problem is that it enlarges the extrusion gap on one side, which could be detrimental when high-pressure is involved. With eccentricity, only a static radial deflection is imposed on the seal. Please refer to fig. 3.51 for a graphic representation.

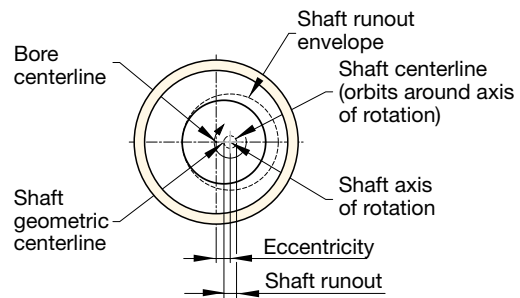
Shaft runout is when the shaft is spinning on an axis of rotation that is offset from the geometric centre of the shaft at the point of seal lip contact. Runout can be caused by a bent shaft or by whirling deflection while spinning. The seal must be sufficiently compliant to maintain contact with the shaft despite being compressed and extended in each revolution. It follows that shaft runout becomes more of a problem at high speeds. With runout, a cyclic radial deflection is imposed on the seal. See fig. 3.51 for a graphic representation.

Excessive runout may lead to wear and leakage problems (especially during cold-starting) and eventual fatigue failures.

When using a radial FlexiSeal® with a V-shaped cantilever spring, the combination of eccentricity and runout should be kept below the recommended guidelines shown in fig. 3.52. In addition, the total runout alone should not exceed the shaft runout limit to ensure seal performance. Radial FlexiSeals® with a round, helical spring are typically used in static and reciprocating applications. Therefore, only eccentricity guidelines apply.



With eccentricity, only static radial deflection is imposed on the seal.



In this case, cyclic radial deflection due to runout is superimposed on static radial deflection due to eccentricity.

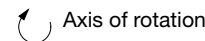


Fig. 3.51 Shaft eccentricity and runout

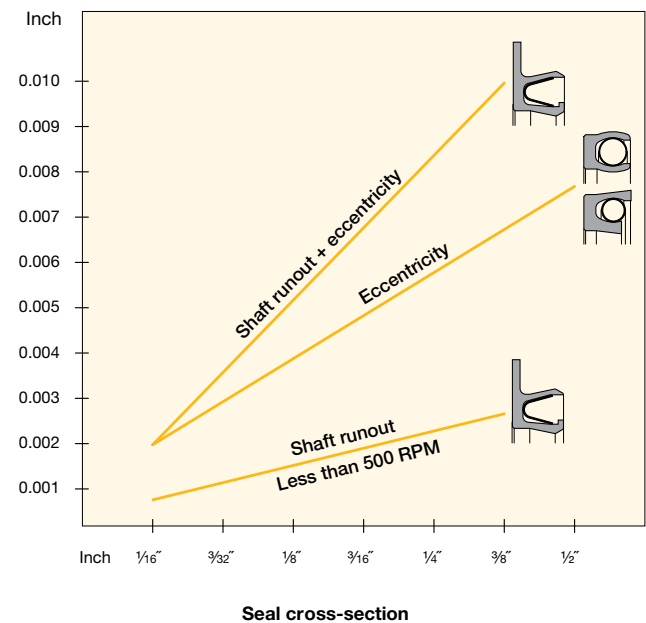


Fig. 3.52 FlexiSeal® eccentricity and runout limits

3.6.6 Pressure-velocity guidelines for rotary FlexiSeals®

Unlike in reciprocating applications, seals ride on a rotating shaft in only one small area where dynamic forces and energy are concentrated. In fact, much of the energy from the shaft is dissipated at the contact point in the form of frictional heat and wear, both of which are detrimental to seal life. This effect is accentuated by increasing the shaft speed or by increasing the perpendicular force holding the lip against the shaft.

As wear is proportional to pressure and velocity, one way to estimate exposure to these risks is to calculate the pv value: by multiplying the pressure p held by the seal by the surface velocity v of the shaft. Combinations of pressure and velocity are defined up to where a material can be used, thus a pv limit is established. Above the pv limit, wear increases exponentially because of the heat generated as a result of motion.

The $p \times v$ value provides the designer with a guide to aid in the choice of seal profile and material.

To calculate the surface velocity, use the following formula or fig. 3.53 for a graphical determination:

$$v = 52 \times 10^{-6} \times D \times n$$

Where

v : surface velocity (m/s)

D : shaft diameter (mm)

n : rotational speed (rpm)

Pressure p is expressed in MPa (N/mm²).

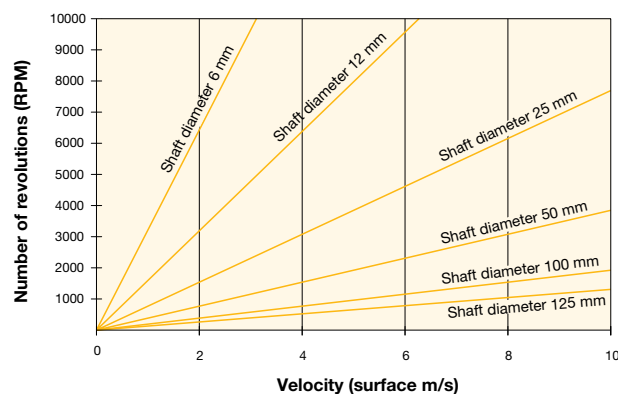


Fig. 3.53 Determination of surface velocity

The $p \times v$ graphs in fig. 3.54 apply to unlubricated rotary applications only using a stable rotary seal with a 4 or 5 wear resistance rating. If the point corresponding to the operating pressure and surface velocity falls on or below the appropriate temperature line the seal is an appropriate choice for your application.

These $p \times v$ curves are intended to be used as a guideline only since there are many other factors such as sealing media, groove material and surface finish, which affect the amount of heat generated and the performance of the seal.

While FlexiSeals® made of PTFE have a natural lubricity and can be used in unlubricated applications, it is always better to have lubrication present in rotary applications. A film of lubricant between the seal lip and the shaft reduces seal wear and frictional heat generation, makes higher surface speeds possible and helps to prevent the seal from wearing a groove in the shaft. When the lubricant splashes or flows past the seal area it acts as a coolant, prolonging seal life.

Anything that can be done to decrease the heat generation between the lip and the shaft will likely increase seal life. In cases where the medium being sealed is a lubricant continuous operation at pv levels which are 20 times higher than those stated in these guidelines have been achieved.

Parker also offers a complete line of high-speed lip seals, high-pressure rotary seals and custom-designed seals for extreme operation. Refer to section 3.4, Additional FlexiSeal® types. Please contact our consultancy service or your local sales representative for assistance in selecting the seal for your extreme environment.

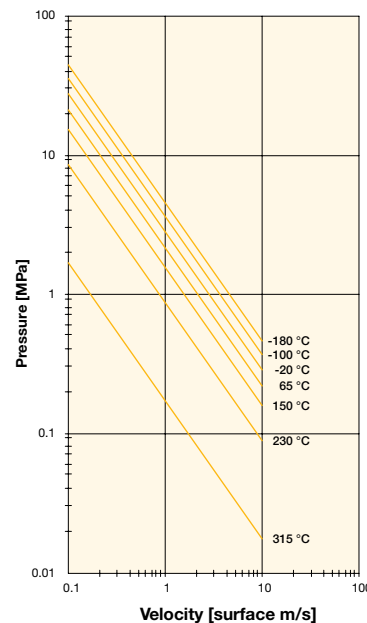


Fig. 3.54 Pressure-velocity curves at different temperatures

3.6.7 Spring design

The two elements to consider when selecting a FlexiSeal® spring design are its load value and its deflection range. The spring load affects the sealing ability, friction and wear rate. As the spring load is increased, the lips seal tighter, with friction and wear increasing proportionally.

The spring deflection range affects the seal's ability to compensate for normal seal wear, cold flow and variations in groove height. Each spring size has a specific deflection range. The available deflection increases as the seal and spring cross-section increases. This could be a deciding factor in selecting one cross-section over another.

3 FlexiSeal®

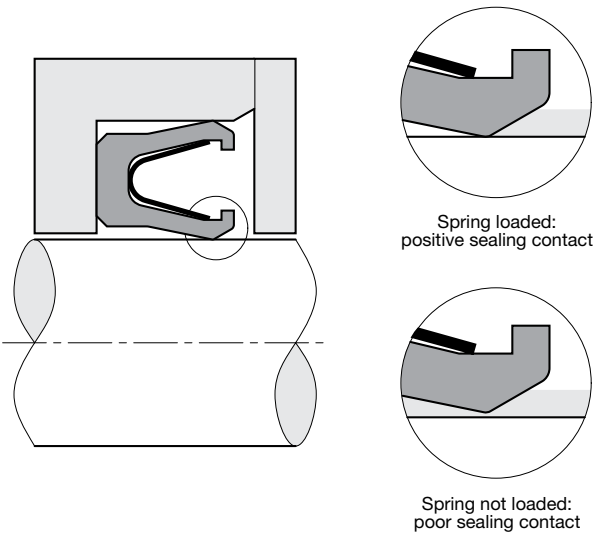


Fig. 3.55 Spring loading

Fig. 3.56 shows a relative comparison of load versus deflection curves for four different spring types that can be used to energize the FlexiSeal® jacket: helical wound, cantilever, full contact cantilever and canted coil.

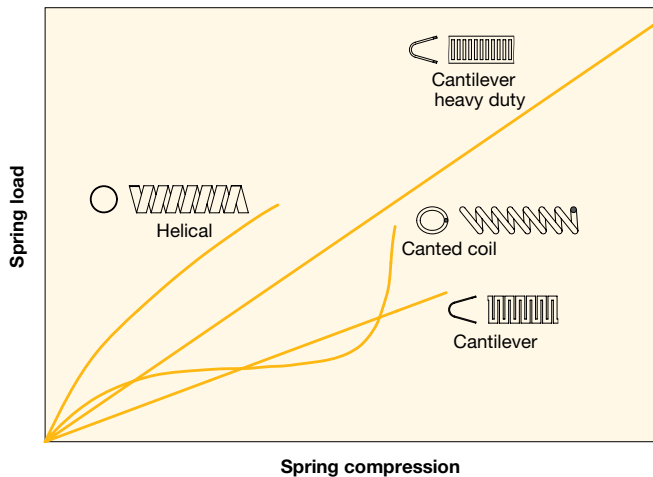


Fig. 3.56 FlexiSeal® spring comparison: load-deflection curves



Fig. 3.57 FlexiSeal® spring types

3.6.7.1 Helical springs

The helical spring is made from flat ribbon metal strip stock that is wound into a helix shape. The finished spring produces a high-load versus small-deflection curve as shown in fig. 3.56.

The standard materials are 17/7 PH stainless steel and cobalt-chromium-nickel alloy, both available in light, medium and heavy versions.



Fig. 3.58 Helical spring

The helical spring design is intended for static applications due to the high unit load. It can be used in slow or infrequently rotary conditions and dynamic reciprocating applications when friction and wear are secondary concerns to positive sealing.

The helical spring produces an evenly distributed load across each individual band, with very small gaps between the coils. This tight spacing provides a nearly continuous load, reducing potential leak paths. This effect, combined with the high unit load, makes the helical spring well suited for vacuum and cryogenic applications or when pressure is too low to energize the seal.

The relatively small deflection range of the helical spring prevents it from being used in applications having wide groove tolerances, eccentricity or misalignment.

Features

- High load versus small deflection
- Standard 17/7 PH stainless steel and cobalt-chromiumnickel alloy springs
- Optional materials: Inconel® X-750 and Hastelloy® C-276
- NACE compliant cobalt-chromium-nickel alloy and Inconel® X-750 springs available
- Available in light, medium and heavy versions
- Available for external and internal face seals

Recommended applications

- Static rod, piston and face seal applications
- Slow rotary applications
- Reciprocating rods and pistons
- Vacuum, cryogenic sealing
- Applications where sealing ability is critical

3.6.7.2 Cantilever springs

The FlexiSeal® cantilever spring is made from flat metal strip stock of 304 stainless steel or cobalt-chromium-nickel alloy. The strip stock is punched into a serpentine pattern and formed into a rounded "V"-shape.



Fig. 3.59 Cantilever spring

The load deflection curve of a cantilever spring, as depicted in fig. 3.56 shows a light load versus a high deflection. It is intended for dynamic applications involving rotary or reciprocating motion. It can also be used in static conditions when there is a need for a higher deflection spring due to wide groove tolerance, excessive expansion and contraction or lift-off due to high-pressure.

Lighter and heavier loaded versions are optionally available. A light-load cantilever spring can be used if low friction is more important than sealability.

The geometry of the cantilever spring provides flexibility by using individual tabs, separated by small gaps. This shape allows the spring to flex into radial and face seal designs.

Features

- V-shaped spring shape for moderate load versus high deflection
- Standard 304 series stainless steel and cobalt-chromium-nickel alloy springs
- Optional materials: 301, 302 and 316 stainless steel, Inconel® X-750
- NACE-compliant cobalt-chromium-nickel alloy and Inconel® X-750 springs available
- Available in light and heavy versions (optional)
- Wiper lip designs for abrasive media
- Available for external and internal face seals

Recommended applications

- Reciprocating rod and piston applications (low friction)
- Rotary shafts
- Wide tolerance and misaligned grooves

3.6.7.3 Full contact cantilever springs

The full contact cantilever spring is made from flat metal strip stock of 301 stainless steel that is punched into a continuous, slotted pattern and formed into a rounded "V"-shape.



Fig. 3.60 Full contact cantilever spring

The spring provides a continuous contact along the sealing lip. The absence of individual tabs and thus flexibility in the spring geometry limits its use to internal and external face seals. The result is a high-load versus high-deflection curve as shown in fig. 3.56, section 3.6.7.

The spring provides a continuous contact along the sealing lip. The absence of individual tabs and thus flexibility in the spring geometry limits its use to internal and external face seals. The result is a high-load versus high-deflection curve as shown in fig. 3.56, section 3.6.7. The full contact cantilever spring is typically used in extreme static sealing applications, involving cryogenic media, ultrahigh vacuum or helium.

In cryogenic conditions the rigid spring with high hoop strength acts as a control band to resist shrinkage of the polymer jacket. This spring can also be used when there is a need to compensate for extremely wide groove tolerances or lift off. It can be employed in slow or intermittently rotary applications.

3.6.7.4 Canted coil springs

The canted coil spring is made from round wire that is coiled and formed into a canted or slanted shape.

The result is a radial compression spring with a very flat load versus deflection curve as illustrated in fig. 3.56, section 3.6.7.

The canted coil spring is not part of the Parker standard energizer range. It is only available on specific request. The respective FlexiSeal® is a non-standard item.

3 FlexiSeal®



Fig. 3.61 Canted coil spring

The typical material is 302 stainless steel. Other possibilities are Hastelloy® C-276 and cobalt-chromium-nickel alloy, all available in light, medium and heavy versions.

The canted coil spring is intended for use in dynamic reciprocating and rotary applications. The flat load curve makes it an excellent choice for friction-sensitive applications. It is also used in static applications mit wide tolerances or misalignment.

The canted-coil spring can be fit into small diameters without overlapping the individual spring coils. Because the coils on the inner diameter tend bis butt up bis each other the spring has very small gaps providing maximum spring contact.

Features

- Flat load versus deflection curve
- Standard 302 series stainless steel springs
- Cobalt-chromium-nickel alloy and Hastelloy® C-276 springs available
- Light, medium and heavy versions
- Available in radial and face seals

Recommended applications

- Friction-sensitive applications
- Wide-tolerance and misaligned grooves
- Applications where the seal section is subjected to fatigue loading
- Small-diameter radial seals

3.6.8 Lip design

3.6.8.1 Chamfered lip

The most common lip shape is the chamfered or backbeveled design. There are cantilever and canted coil spring types available. This design allows for ease of installation and permits lubrication to nest under the lip and feed through in reciprocating dynamic applications. The result is a microscopic lubrication film that increases seal and hardware service life. Since the footprint (contact zone) of a chamfered lip is a single point all of the sealing force is concentrated on that point, resulting in highest sealability and lowest friction.

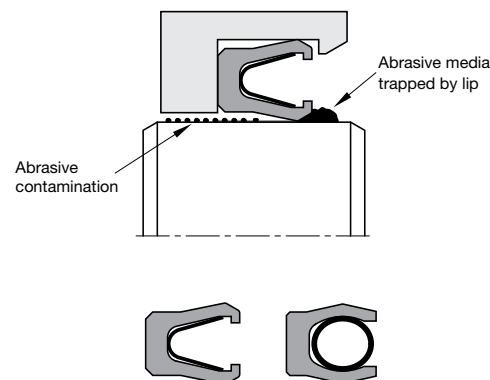


Fig. 3.62 Chamfered lip design

3.6.8.2 Wiper lip

Applications often involve media mit abrasive particles that can get caught between the seal lip and the mating hardware. This increases wear bis both the seal and the mating surface.

The wiper lip prevents particles from accumulating and is available mit all four spring types. Its contact point is positioned closely bis the load point of the spring for maximum scraping action. The wiper lip can be positioned on the inner diameter, outer diameter or both or in a face seal configuration. The wiper lip stays in place better in a stepped groove where the step is not very large.

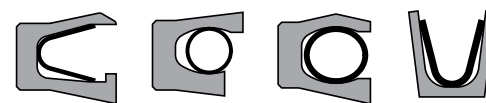
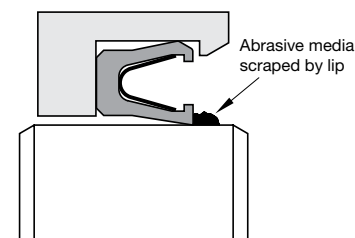


Fig. 3.63 Wiper lip design

3.6.8.3 Beaded lip

The beaded lip shape contacts the surface in much the same way as an O-ring does and is available with the helical spring type. Similar to the chamfered lip, it is easy to install and helps to lubricate the reciprocating sealing surface. In fact, the beaded lip provides an oil film that is slightly thicker than that of a chamfered lip, making it advantageous for applications with more rapid reciprocating motion.



Fig. 3.64 Beaded lip design

4.1 What is a Slipper Seal® and how does it work

The Slipper Seal® is a radial sealing element that consists of a polymer ring and an elastomeric O-Ring energizer. This type of seal is typically selected for general industrial pneumatic/hydraulic applications where there is a need for a dynamic sealing element.

When installed, the resilient elastomer is squeezed and pushes the polymer ring against the dynamic groove mating surface, creating a tight seal even at low-pressure. At higher hydrostatic system pressures the O-Ring is energized by the medium, increasing the contact pressure against the mating surface.

The polymer ring always faces the dynamic side of the application while the elastomeric element provides positive sealing at low-pressure and compensates for polymer thickness reduction from wear and cold flow.

A wide variety of profiles is available both in rod and piston configurations.

The polymer components are typically made of PTFE-based compounds offering low friction and high wear resistance. The chemical compatibility of the Slipper Seal® however is limited to that of the elastomeric energizer. The energizer element is available in a wide range of elastomeric materials such as NBR, EPDM and FKM.

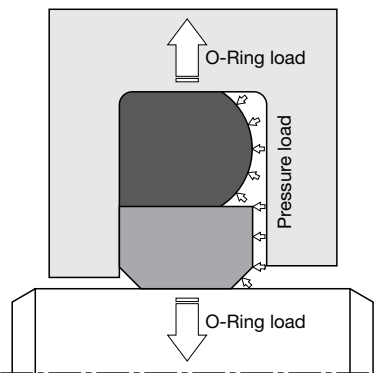


Fig. 4.1 Slipper Seal® operating principle

4.2 Slipper Seal® standard part number nomenclature

The O-ring anti-extrusion ring standard range is defined by the following part number which includes all key design elements.

XX 0000 000 00000 X

XX	→	Seal type (See section 4.3)
0000	→	Groove outer diameter x 10 (millimeter) (See section 4.4)
000	→	Material for dynamic element (See section 4.5.1)
00000	→	Series number / energizer material code (See section 4.5.2)
X	→	Cross-section code (See section 4.4)

Ordering example

AD 0400 052 00592 B

AD	Seal type (wiper ring AD)
0400	Groove outer diameter (40 mm)
052	Material code (PTFE + 40 % bronze)
00592	Series number/energizer material code (series 590, O-ring in FKM 75 Shore A)
B	Cross-section code



Fig. 4.2 Figure number

4.3 How to select the Slipper Seal® type for your application

This decision tree is designed to guide you to the appropriate slipper seal for your application. It is to be used as an engineering guideline only. In many cases several other parameters need to be considered as well.

Please contact Parker's consultancy service or your local sales representative for confirmation of your choice or further recommendations.

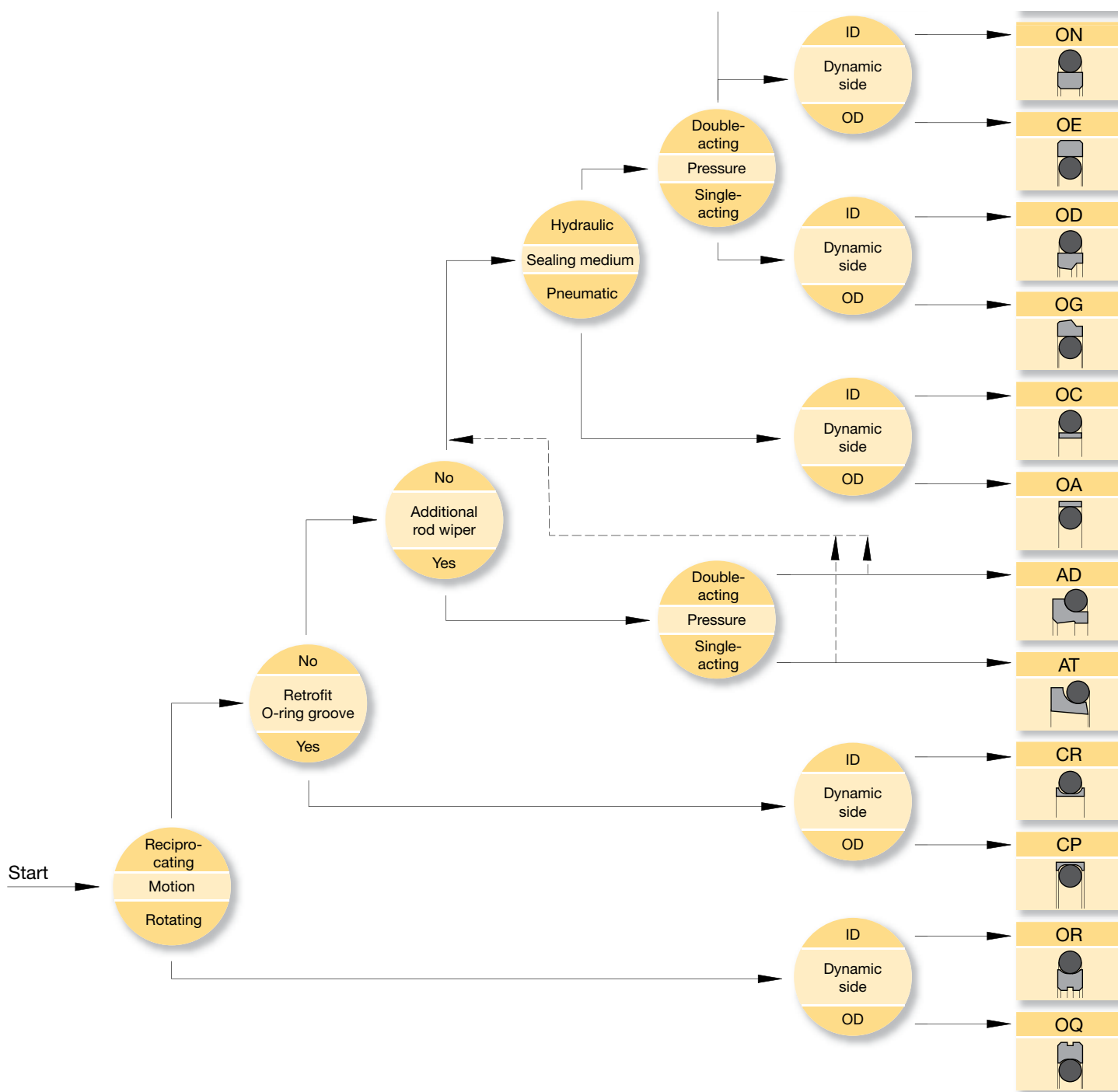
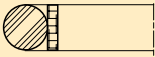
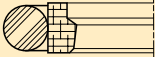
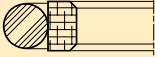
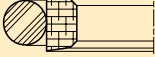
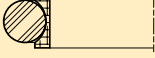




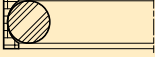
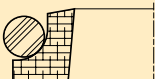
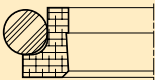
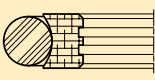



Fig. 4.3 Slipper Seal® decision tree

4.4 Selecting the Slipper Seal® size for your application

Standard Slipper Seals® are available in any diameter from 4 up to 4500 mm and a variety of sections.

Please refer to the page of the Slipper Seal® type selected for your application to determine the appropriate diameter, cross-section and housing dimensions.

Profile cross-section	Profile reference	Page
Rod seals		
	OC	98
	OD	102
	ON	108
	OM	114
	CR	117
Piston seals		
	OA	121
	OG	125
	OE	130
	OT	135
	CP	138
Wipers		
	AT	142
	AD	147
Rotary seals		
	OR	153
	OQ	158



The OC double-acting rod sealing set featuring a Slipper Seal® design consists of a PTFE rod sealing ring and an elastomer O-ring as a preloading element. The sealing set has been specifically designed for pneumatic, dynamic applications and enables installation in smallest grooves.

Due to the material combination of the slipper ring (PTFE) and the O-ring (elastomer), this product is suitable for a wide range of applications, especially for aggressive media and/or high temperatures. An extensive selection of materials is available for specific application profiles.

- Due to application-optimized geometry and compounds suitable for use in oiled as well as in oil-free air (after initial lubrication on assembly).
- Good sealing performance in extremely small assembly conditions.
- Can also be used for single-acting applications.
- Minimal break-away and dynamic friction and no stick-slip tendency ensures uniform motion even at low speeds.
- Good energy efficiency due to low friction.
- High temperature resistance assured by suitable O-ring compound selection.
- Adaptable to nearly all media thanks to high chemical resistance of the sealing ring and large O-ring compound selection.
- Short axial assembly length.
- Installation in closed and undercut housings.
- Available in diameters from 4 to 4500 mm.
- Additional sizes of machined products available on short notice.

Range of application

The OC rod sealing set is particularly suitable for use in pneumatic cylinders, e.g. control cylinders, servo-assisted systems and quick-acting cylinders.

Operating pressure	≤ 16 bar
Operating temperature	-30 °C to +80 °C ¹⁾
Sliding speed	≤ 4 m/s

¹⁾With deviation from standard temperature range, please contact our consultancy service for adequate O-ring compound.

Compounds

Sealing ring: Polon® 033, modified PTFE + 25 % carbon.

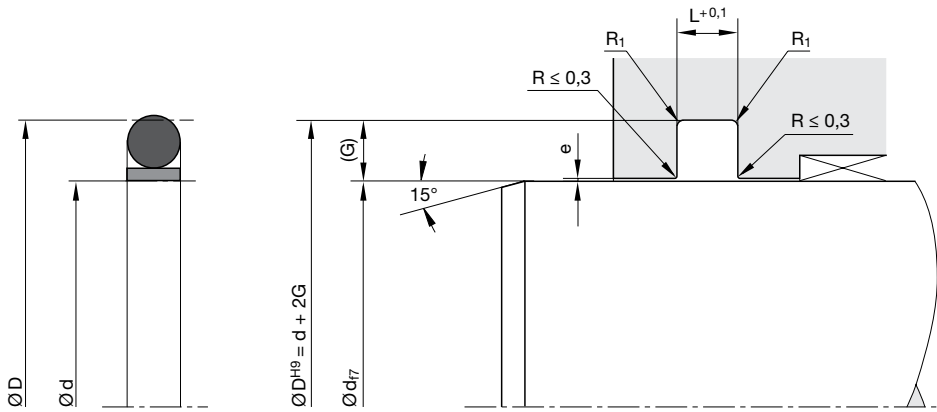
O-ring: N0674, NBR elastomer with approx. 70 Shore A.

Installation

For diameters < 25 mm open grooves are required.

This seal should only be used in combination with guiding elements (e.g. profile F2).

In case of special operating conditions (specific pressure loads, temperature, speed, use in water, HFA, HFB fluids etc.), please contact our consultancy service for a selection of the material and design best suiting your particular application requirements.

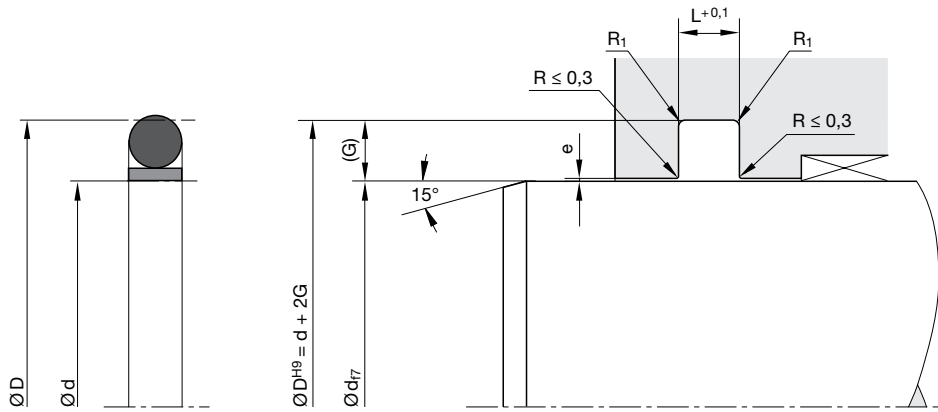


For surface finish, lead in chamfer and other installation dimensions see „General installation guidelines“.

Housing dimensions

Series no.	Cross-section	O-ring cross-section (mm)	Recommended rod \varnothing range		Groove width L (mm)	Groove depth G (mm)	Gap max. e (mm)	Radius max. R_1 (mm)
			\geq d (mm)	$<$				
01700	A	1.78	4	8	2	2	0.2	0.5
01700	B	2.62	8	19	2.85	3	0.25	0.5
01700	C	3.53	19	38	3.8	3.75	0.25	0.5
01700	D	5.33	38	120	5.6	6.25	0.5	0.9
01700	E	6.99	120	165	7.55	7.5	0.5	0.9
01700	F	6.99	165	220	7.55	9	0.75	0.9
01700	G	6.99	220	400	7.55	12	1	0.9

4 Slipper Seals®



For surface finish, lead in chamfer and other installation dimensions see „General installation guidelines“.

Ordering example

Rod diameter 40 mm

OC 0400 033 01701 D 40 × 52.5 × 5.6

OC Profile

0400 Rod diameter × 10

033 Compound

01700 Series no. /compound code O-ring

01700 without O-ring

01701 N0674 (NBR) 70^{±5} Shore A -30 / +110 °C

01702 V0747 (FKM) 75^{±5} Shore A -25 / +200 °C

01703 N0756 (NBR) 75^{±5} Shore A -50 / +110 °C

01704 E0540 (EPDM) 80^{±5} Shore A -40 / +150 °C

01705 N3578 (NBR) 75^{±5} Shore A -30 / +110 °C

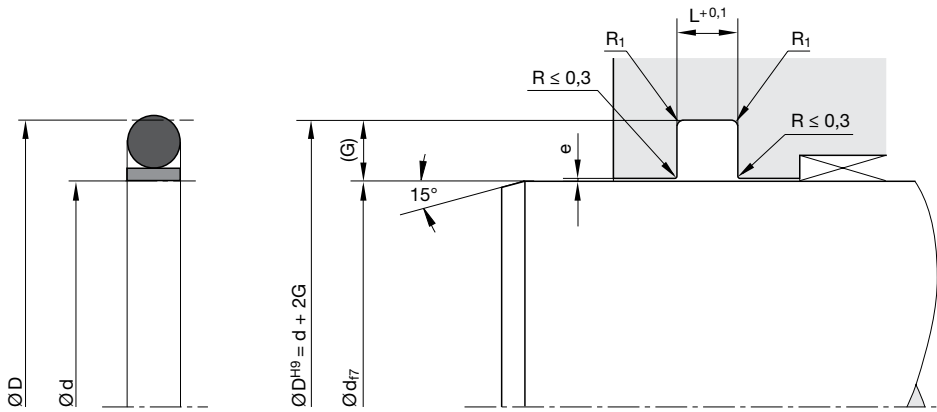
01706 N0552 (NBR) 90^{±5} Shore A -30 / +100 °C

01707 N1173 (HNBR) 70^{±5} Shore A -30 / +150 °C

D Cross-section

Please note:

For certain applications, it might be convenient to use a non-standard cross-section reduced or heavier. In these cases, please replace the standard cross-section code (in above example: „D“) by the one you require (for example „C“ or „E“).



For surface finish, lead in chamfer and other installation dimensions see „General installation guidelines“.

Standard range

Size	Groove			O-ring		
	Ø d (mm)	Ø D (mm)	L (mm)	No.	CS (mm)	ID (mm)
0070	7	11	2	2-011	1.78	7.65
0090	9	13	2	2-012	1.78	9.25
0100	10	14	2	2-013	1.78	10.82
0120	12	16	2	2-014	1.78	12.42
0140	14	18	2	2-015	1.78	14
0160	16	22	2.85	2-115	2.62	17.12
0180	18	24	2.85	2-116	2.62	18.72
0200	20	26	2.85	2-117	2.62	20.29
0220	22	28	2.85	2-119	2.62	23.47
0250	25	31	2.85	2-121	2.62	26.64
0280	28	35.50	3.80	2-216	3.53	28.17
0300	30	37.50	3.80	2-218	3.53	31.34
0320	32	39.50	3.80	2-219	3.53	32.92
0350	35	42.50	3.80	2-221	3.53	36.09
0360	36	43.50	3.80	2-222	3.53	37.69
0400	40	47.50	3.80	2-223	3.53	40.87
0420	42	49.50	3.80	2-224	3.53	44.04
0450	45	52.50	3.80	2-225	3.53	47.22
0500	50	62.50	5.60	2-330	5.33	53.34
0550	55	67.50	5.60	2-331	5.33	56.52
0600	60	72.50	5.60	2-333	5.33	62.87
0630	63	75.50	5.60	2-334	5.33	66.04
0650	65	77.50	5.60	2-335	5.33	69.22
0700	70	82.50	5.60	2-336	5.33	72.39
0750	75	87.50	5.60	2-337	5.33	75.57
0800	80	92.50	5.60	2-339	5.33	81.92
0850	85	97.50	5.60	2-341	5.33	88.27
0900	90	102.50	5.60	2-342	5.33	91.44
0920	92	104.50	5.60	2-343	5.33	94.62
1000	100	112.50	5.60	2-345	5.33	100.97

Further sizes on request.

Size	Groove			O-ring		
	Ø d (mm)	Ø D (mm)	L (mm)	No.	CS (mm)	ID (mm)
1050	105	117.50	5.60	2-347	5.33	107.32
1100	110	122.50	5.60	2-349	5.33	113.67
1150	115	127.50	5.60	2-350	5.33	116.85
1200	120	132.50	5.60	2-351	5.33	120.02
1250	125	137.50	5.60	2-353	5.33	126.37
1300	130	145	7.55	2-431	6.99	132.72
1400	140	155	7.55	2-434	6.99	142.24
1500	150	165	7.55	2-437	6.99	151.77
1600	160	175	7.55	2-438	6.99	158.12
2000	200	215	7.55	2-445	6.99	202.57



The single-acting OD rod sealing set featuring a Slipper Seal® design consists of a PTFE rod seal and an elastomer O-ring as a preloading element. The asymmetric cross-section of the seal has been designed for optimum return of drag oil during the stroke in both directions. The optimum sealing effect is achieved by installation in a tandem arrangement in combination with a double wiper ring. The OD product series is particularly well suited for piston rods in control cylinders, servo-assisted systems, machine tools and quick-acting cylinders. The sealing set is successfully used in the automotive industry (e.g. in shock absorbers) and the process industry as well. Due to the material combination of the slide ring (PTFE) and the O-ring (elastomer), this product is suitable for a wide range of applications, especially for aggressive media and/or high temperatures. Several alternative compounds may be selected depending on the specific application profile.

- Good sealing performance in extremely small assembly conditions.
- Excellent wear resistance.
- Minimal break-away and dynamic friction and no stick-slip tendency ensures uniform motion even at low speeds.
- Good energy efficiency due to low friction.
- Insensitive to pressure peaks.
- High temperature resistance assured by suitable O-ring compound selection.
- High extrusion resistance.
- Adaptable to nearly all media thanks to high chemical resistance of the sealing ring and large O-ring compound selection.
- Dimensions according to ISO 7425-2.
- Also available as double-acting version.
- Short axial assembly length.
- Installation in closed and undercut housings.
- Available in diameters from 4 to 4500 mm.
- Additional sizes of machined products available on short notice.

Range of application

Rod sealing set for hydraulic cylinders.

Operating pressure	≤ 400 bar
in case of reduced extrusion gap (H7/f7) and large cross sections	≤ 600 bar
Operating temperature	-30 °C to +100 °C ¹⁾
Sliding speed	≤ 4 m/s

¹⁾With deviation from standard temperature range, please contact our consultancy service for adequate O-ring compound.

Compounds

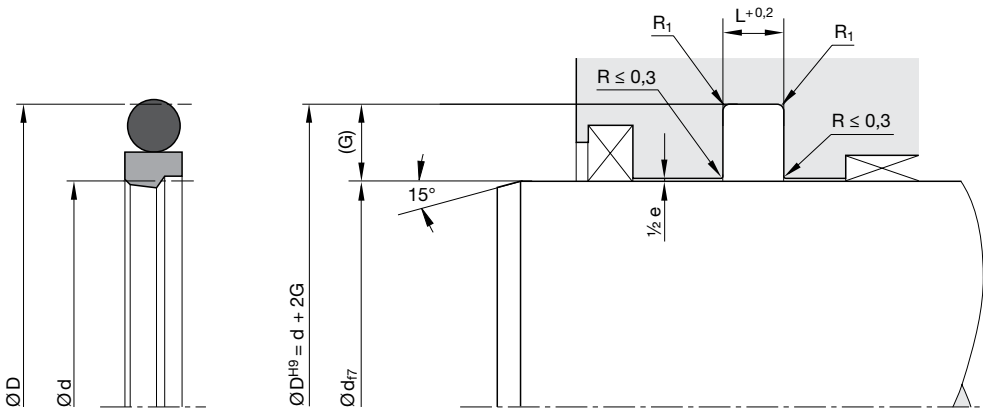
Sealing ring: Polon® 052, modified PTFE + 40 % bronze.

O-ring: N0674, NBR elastomer with approx. 70 Shore A.

Installation

For diameters < 30 mm open grooves are required.

In case of special operating conditions (specific pressure loads, temperature, speed, use in water, HFA, HFB fluids etc.), please contact our consultancy service for a selection of the material and design best suiting your particular application requirements.

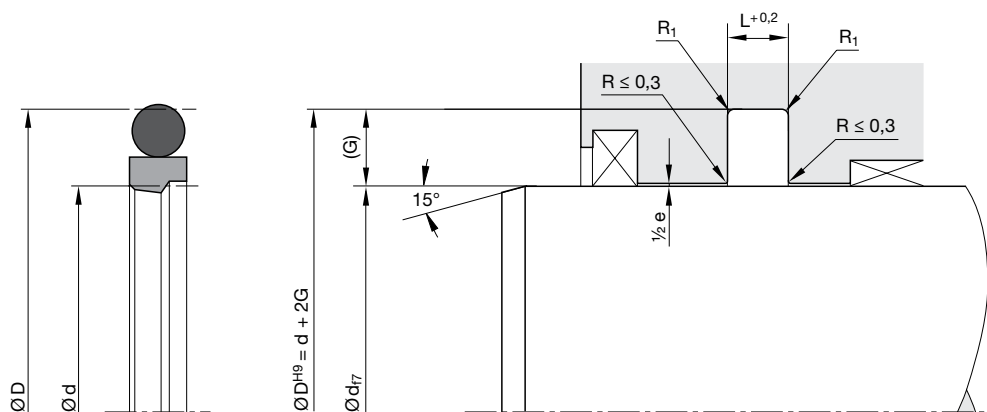


For surface finish, lead in chamfer and other installation dimensions see „General installation guidelines“.

Housing dimensions

Series no.	Cross-section	O-ring cross-section (mm)	Recommended rod Ø range		Groove width L (mm)	Groove depth G (mm)	Gap max. 0-200 bar		Gap max. 200-400 bar		Radius max. R ₁ (mm)	ISO ¹⁾
			d (mm) ≥	d (mm) <			e (mm)	e (mm)				
00170	A	1.78	4	8	2.2	2.45	0.6 - 0.4	0.4 - 0.2	0.5			
00170	B	2.62	8	19	3.2	3.65	0.8 - 0.5	0.5 - 0.3	0.5	●		
00170	C	3.53	19	38	4.2	5.35	0.8 - 0.5	0.5 - 0.3	0.5	●		
00170	D	5.33	38	200	6.3	7.55	1 - 0.6	0.6 - 0.4	0.9	●		
00170	E	6.99	200	256	8.1	10.25	1 - 0.6	0.6 - 0.4	0.9	●		
00170	F	6.99	256	650	8.1	12	1.2 - 0.7	0.7 - 0.5	0.9	●		
00170	G	8.4	650	1000	9.5	13.65	1.4 - 0.8	0.8 - 0.6	0.9	●		
00170	H	12	1000	-	13.8	19	1.4 - 0.8	0.8 - 0.6	0.9	●		
00170	K	1.78	4	8	2.2	2.5	0.6 - 0.4	0.4 - 0.2	0.5	●		
00170	L	2.62	8	19	3.2	3.75	0.8 - 0.5	0.5 - 0.3	0.5	●		
00170	M	3.53	19	38	4.2	5.5	0.8 - 0.5	0.5 - 0.3	0.5	●		
00170	N	5.33	38	200	6.3	7.75	1 - 0.6	0.6 - 0.4	0.9	●		
00170	O	6.99	200	256	8.1	10.5	1 - 0.6	0.6 - 0.4	0.9	●		
00170	P	6.99	256	650	8.1	12.25	1.2 - 0.7	0.7 - 0.5	0.9	●		

1) Housing dimensions according to ISO 7425-2



For surface finish, lead in chamfer and other installation dimensions see „General installation guidelines“.

Ordering example

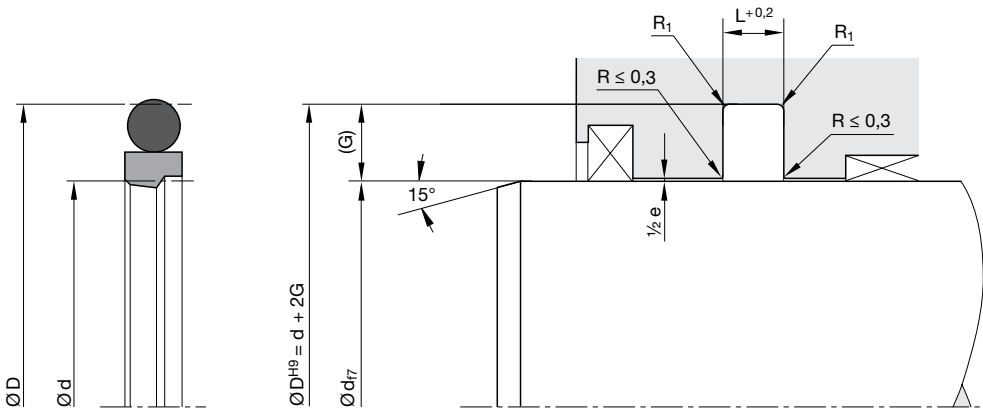
Rod diameter 40 mm

OD 0400 052 00171 D (40,0 × 55,1 × 6,3)

OD	Profile		
0400	Rod diameter × 10		
052	Compound		
00171	Series no. / compound code O-ring		
	00170	without O-ring	
	00171	N0674 (NBR)	70 ^{±5} Shore A -30 / +110 °C
	00172	V0747 (FKM)	75 ^{±5} Shore A -25 / +200 °C
	00173	N0756 (NBR)	75 ^{±5} Shore A -50 / +110 °C
	00174	E0540 (EPDM)	80 ^{±5} Shore A -40 / +150 °C
	00175	N3578 (NBR)	75 ^{±5} Shore A -30 / +110 °C
	00176	N0552 (NBR)	90 ^{±5} Shore A -30 / +100 °C
	00177	N1173 (HNBR)	70 ^{±5} Shore A -30 / +150 °C
D	Cross-section		

Please note:

For certain applications, it might be convenient to use a non-standard cross-section reduced or heavier. In these cases, please replace the standard cross-section code (in above example: „D“) by the one you require (for example „C“ or „E“).



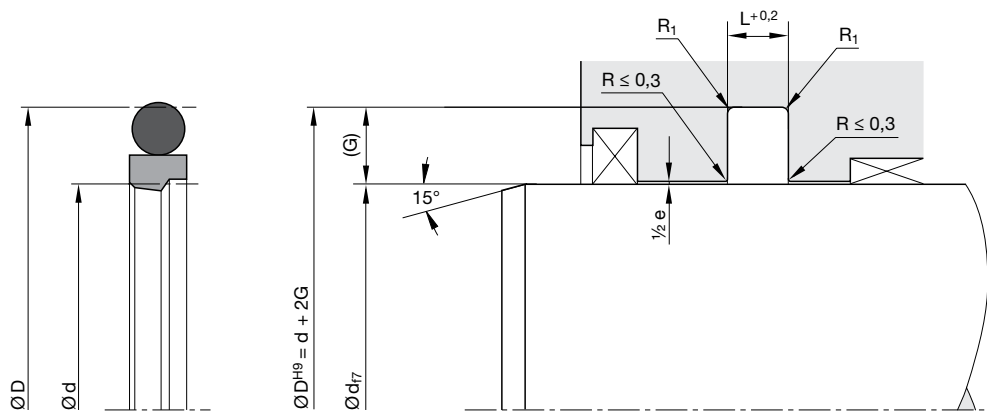
For surface finish, lead in chamfer and other installation dimensions see „General installation guidelines“.

Standard range

Size	Groove			No.	O-ring		ISO ¹⁾
	Ø d (mm)	Ø D (mm)	L (mm)		CS (mm)	ID (mm)	
0040	4	8.90	2.20	2-010	1.78	6.07	
0050	5	9.90	2.20	2-010	1.78	6.07	
0060	6	11	2.20	2-011	1.78	7.65	•
0070	7	11.90	2.20	2-012	1.78	9.25	
0080	8	13	2.20	2-012	1.78	9.25	•
0080	8	15.30	3.20	2-111	2.62	10.77	
0100	10	15	2.20	2-013	1.78	10.82	•
0100	10	17.30	3.20	2-112	2.62	12.37	
0120	12	17	2.20	2-015	1.78	14	•
0120	12	19.30	3.20	2-114	2.62	15.54	
0120	12	19.50	3.20	2-114	2.62	15.54	•
0140	14	19	2.20	2-016	1.78	15.60	•
0140	14	21.50	3.20	2-115	2.62	17.12	•
0150	15	22.30	3.20	2-116	2.62	18.72	
0160	16	23.50	3.20	2-116	2.62	18.72	•
0180	18	25.30	3.20	2-117	2.62	20.29	
0180	18	25.50	3.20	2-117	2.62	20.29	•
0200	20	27.50	3.20	2-118	2.62	21.89	•
0200	20	30.70	4.20	2-214	3.53	24.99	
0200	20	31	4.20	2-214	3.53	24.99	•
0220	22	29.50	3.20	2-120	2.62	25.07	•
0220	22	32.70	4.20	2-215	3.53	26.57	
0220	22	33	4.20	2-215	3.53	26.57	•
0250	25	32.50	3.20	2-122	2.62	26.24	•
0250	25	35.70	4.20	2-217	3.53	29.32	
0250	25	36	4.20	2-217	3.53	29.32	•
0260	26	36.70	4.20	2-218	3.53	31.34	
0280	28	38.70	4.20	2-219	3.53	32.92	
0280	28	39	4.20	2-219	3.53	32.92	•
0300	30	40.70	4.20	2-220	3.53	34.52	

Size	Groove			No.	O-ring		ISO ¹⁾
	Ø d (mm)	Ø D (mm)	L (mm)		CS (mm)	ID (mm)	
0320	32	42.70	4.20	2-221	3.53	36.09	
0320	32	43	4.20	2-221	3.53	36.09	•
0350	35	45.70	4.20	2-222	3.53	37.69	
0360	36	47	4.20	2-223	3.53	40.87	•
0380	38	53.10	6.30	2-327	5.33	43.82	
0400	40	51	4.20	2-224	3.53	44.04	•
0400	40	55.10	6.30	2-328	5.33	46.99	
0420	42	57.10	6.30	2-328	5.33	46.99	
0450	45	56	4.20	2-226	3.53	50.39	•
0450	45	60.10	6.30	2-329	5.33	50.17	
0480	48	63.10	6.30	2-330	5.33	53.34	
0500	50	61	4.20	2-227	3.53	53.57	•
0500	50	65.10	6.30	2-331	5.33	56.52	
0520	52	67.10	6.30	2-331	5.33	56.52	
0550	55	70.10	6.30	2-332	5.33	59.69	
0560	56	67	4.20	2-229	3.53	59.92	•
0560	56	71.50	6.30	2-332	5.33	59.69	•
0580	58	73.10	6.30	2-333	5.33	62.87	
0600	60	75.10	6.30	2-334	5.33	66.04	
0630	63	74	4.20	2-231	3.53	66.27	•
0630	63	78.50	6.30	2-335	5.33	69.22	•
0650	65	80.10	6.30	2-335	5.33	69.22	
0700	70	85.10	6.30	2-337	5.33	75.57	
0700	70	85.50	6.30	2-337	5.33	75.57	•
0750	75	90.10	6.30	2-339	5.33	81.92	
0800	80	95.10	6.30	2-340	5.33	85.09	
0800	80	95.50	6.30	2-340	5.33	85.09	•
0850	85	100.10	6.30	2-342	5.33	91.44	
0900	90	105.10	6.30	2-343	5.33	94.62	
0900	90	105.50	6.30	2-343	5.33	94.62	•

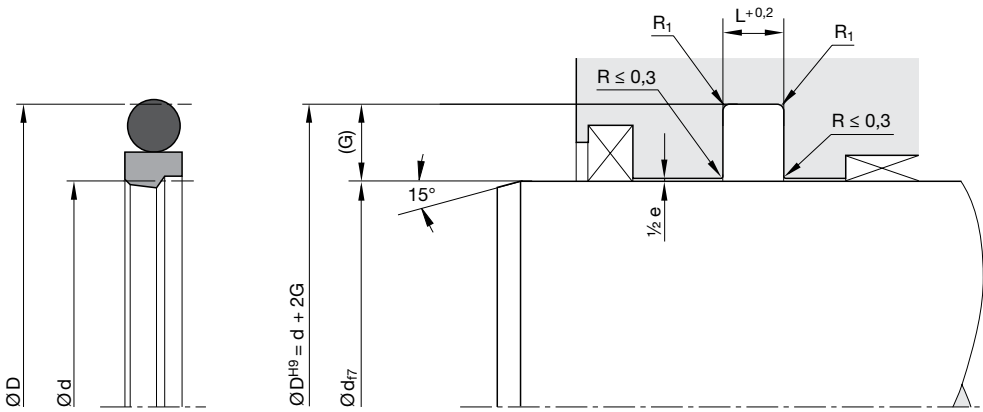
1) ISO 7425-2
Further sizes on request.



For surface finish, lead in chamfer and other installation dimensions see „General installation guidelines“.

Size	Groove			O-ring			ISO ¹⁾	Size	Groove			O-ring			ISO ¹⁾
	Ø d (mm)	Ø D (mm)	L (mm)	No.	CS (mm)	ID (mm)			Ø d (mm)	Ø D (mm)	L (mm)	No.	CS (mm)	ID (mm)	
0950	95	110.10	6.30	2-345	5.33	100.97		2500	250	270.50	8.10	2-449	6.99	253.37	
1000	100	115.10	6.30	2-346	5.33	104.14		2500	250	271	8.10	2-449	6.99	253.37	•
1000	100	115.50	6.30	2-346	5.33	104.14	•	2600	260	284	8.10	2-450	6.99	266.07	
1100	110	125.10	6.30	2-350	5.33	116.84		2700	270	294	8.10	2-451	6.99	278.77	
1100	110	125.50	6.30	2-350	5.33	116.84	•	2800	280	304	8.10	2-452	6.99	291.47	
1200	120	135.10	6.30	2-353	5.33	126.37		2800	280	304.50	8.10	2-452	6.99	291.47	•
1250	125	140.10	6.30	2-354	5.33	129.54		2900	290	314	8.10	2-453	6.99	304.17	
1250	125	140.50	6.30	2-354	5.33	129.54	•	3000	300	324	8.10	2-453	6.99	304.17	
1300	130	145.10	6.30	2-356	5.33	135.89		3100	310	334	8.10	2-454	6.99	316.87	
1400	140	155.10	6.30	2-359	5.33	145.42		3200	320	344	8.10	2-455	6.99	329.57	
1400	140	155.50	6.30	2-359	5.33	145.42	•	3200	320	344.50	8.10	2-455	6.99	329.57	•
1500	150	165.10	6.30	2-361	5.33	151.77		3300	330	354	8.10	2-456	6.99	342.27	
1600	160	175.10	6.30	2-363	5.33	164.47		3400	340	364	8.10	2-457	6.99	354.97	
1600	160	175.50	6.30	2-363	5.33	164.47	•	3500	350	374	8.10	2-457	6.99	354.97	
1600	160	181	8.10	2-439	6.99	164.47	•	3600	360	384	8.10	2-458	6.99	367.67	
1700	170	185.10	6.30	2-365	5.33	177.17		3600	360	384.50	8.10	2-458	6.99	367.67	•
1750	175	190.10	6.30	2-365	5.33	177.17		3700	370	394	8.10	2-459	6.99	380.37	
1800	180	195.10	6.30	2-366	5.33	183.52		3800	380	404	8.10	2-460	6.99	393.07	
1800	180	195.50	6.30	2-366	5.33	183.52	•	3900	390	414	8.10	2-461	6.99	405.26	
1800	180	201	8.10	2-442	6.99	183.52	•	4000	400	424	8.10	2-461	6.99	405.26	
1850	185	200.10	6.30	2-367	5.33	189.87		4100	410	434	8.10	2-462	6.99	417.96	
1900	190	205.10	6.30	2-368	5.33	196.22		4200	420	444	8.10	2-463	6.99	430.66	
1950	195	210.10	6.30	2-368	5.33	196.22		4300	430	454	8.10	2-464	6.99	443.36	
2000	200	220.50	8.10	2-445	6.99	202.57		4400	440	464	8.10	2-464	6.99	443.36	
2000	200	221	8.10	2-445	6.99	202.57	•	4500	450	474	8.10	2-465	6.99	456.06	
2100	210	230.50	8.10	2-446	6.99	215.27		4600	460	484	8.10	2-466	6.99	468.76	
2200	220	240.50	8.10	2-447	6.99	227.97		4700	470	494	8.10	2-467	6.99	481.46	
2200	220	241	8.10	2-447	6.99	227.97	•	4800	480	504	8.10	2-468	6.99	494.16	
2300	230	250.50	8.10	2-448	6.99	240.67		4900	490	514	8.10	2-469	6.99	506.86	
2400	240	260.50	8.10	2-449	6.99	240.67		5000	500	524	8.10	2-469	6.99	506.86	

1) ISO 7425-2
Further sizes on request.



For surface finish, lead in chamfer and other installation dimensions see „General installation guidelines“.

Size	Groove			No.	O-ring		ISO ¹⁾
	Ø d (mm)	Ø D (mm)	L (mm)		CS (mm)	ID (mm)	
5200	520	544	8.10	2-470	6.99	532.26	
5500	550	574	8.10	2-471	6.99	557.66	
5700	570	594	8.10	2-472	6.99	582.68	
6000	600	624	8.10	2-473	6.99	608.08	
6200	620	644	8.10	2-474	6.99	633.48	
6400	640	664	8.10	2-475	6.99	658.88	
6500	650	677.30	9.50	-	8.40	660.00	
7000	700	727.30	9.50	-	8.40	695.00	
8000	800	827.30	9.50	-	8.40	810.00	
9000	900	927.30	9.50	-	8.40	910.00	

1) ISO 7425-2
Further sizes on request.



The double-acting ON rod sealing set featuring a Slipper Seal® design is characterized by minimal break-away and dynamic friction and is therefore also suitable for low-lube conditions. The seal has been designed for housings acc. to ISO 7425-2.

The ON product series is particularly well suited for sealing applications in control cylinders, servo-assisted systems and machine tools.

Due to the material combination of the slipper ring (PTFE) and the O-ring (elastomer), this product is suitable for a wide range of applications, especially for aggressive media and/or high temperatures. An extensive selection of materials is available for specific application profiles.

- Good sealing performance in extremely small assembly conditions.
- Can also be used for single-acting applications.
- Excellent wear resistance.
- Minimal break-away and dynamic friction and no stick-slip tendency ensures uniform motion even at low speeds.
- Good energy efficiency due to low friction.
- Insensitive to pressure peaks.
- High temperature resistance assured by suitable O-ring compound selection.
- High extrusion resistance.
- Adaptable to nearly all media thanks to high chemical resistance of the sealing ring and large O-ring compound selection.
- Dimensions according to ISO 7425-2.
- Short axial assembly length.
- Installation in closed and undercut housings.
- Available in diameters from 4 to 4500 mm.
- Additional sizes of machined products available on short notice.

Range of application

For high-pressure applications

Operating pressure	≤ 400 bar
in case of reduced extrusion gap (H7/f7) and large cross sections	≤ 600 bar
Operating temperature	-30 °C to +100 °C ¹⁾
Sliding speed	≤ 4 m/s

¹⁾With deviation from standard temperature range, please contact our consultancy service for adequate O-ring compound.

Compounds

Sealing ring: Polon® 052, modified PTFE + 40% bronze.

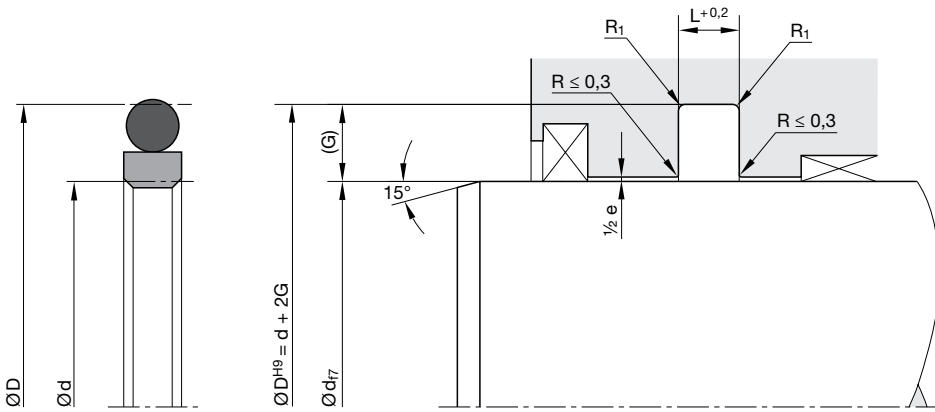
O-ring: N0674, NBR elastomer with approx. 70 Shore A.

Installation

For diameters < 30 mm open grooves are required.

This seal should only be used in combination with guiding elements (e.g. F3).

In case of special operating conditions (specific pressure loads, temperature, speed, use in water, HFA, HFB fluids etc.), please contact our consultancy service for a selection of the material and design best suiting your particular application requirements.

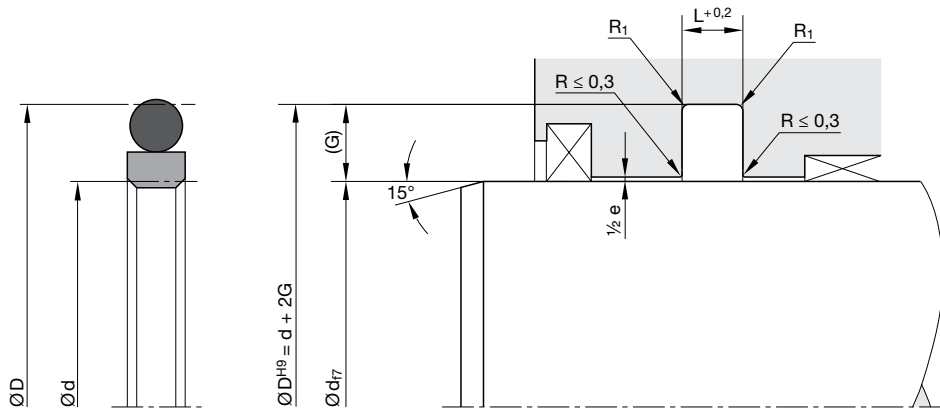


For surface finish, lead in chamfer and other installation dimensions see „General installation guidelines“.

Housing dimensions

Series no.	Cross-section	O-ring cross-section (mm)	Recommended rod Ø range		Groove width L (mm)	Groove depth G (mm)	Gap max. 0200 bar		Gap max. 200-400 bar		Radius max. R ₁ (mm)	ISO ¹⁾
			≥ d	< d			e (mm)	e (mm)				
00110	A	1.78	4	8	2.2	2.45	0.6 - 0.4	0.4 - 0.2	0.5			
00110	B	2.62	8	19	3.2	3.65	0.8 - 0.5	0.5 - 0.3	0.5			
00110	C	3.53	19	38	4.2	5.35	0.8 - 0.5	0.5 - 0.3	0.5			
00110	D	5.33	38	200	6.3	7.55	1 - 0.6	0.6 - 0.4	0.9			
00110	E	6.99	200	256	8.1	10.25	1 - 0.6	0.6 - 0.4	0.9			
00110	F	6.99	256	650	8.1	12	1.2 - 0.7	0.7 - 0.5	0.9			
00110	G	8.4	650	1000	9.5	13.65	1.4 - 0.8	0.8 - 0.6	0.9			
00110	H	12	1000	-	13.8	19	1.4 - 0.8	0.8 - 0.6	0.9			
00110	K	1.78	4	8	2.2	2.5	0.6 - 0.4	0.4 - 0.2	0.5	•		
00110	L	2.62	8	19	3.2	3.75	0.8 - 0.5	0.5 - 0.3	0.5	•		
00110	M	3.53	19	38	4.2	5.5	0.8 - 0.5	0.5 - 0.3	0.5	•		
00110	N	5.33	38	200	6.3	7.75	1 - 0.6	0.6 - 0.4	0.9	•		
00110	O	6.99	200	256	8.1	10.5	1 - 0.6	0.6 - 0.4	0.9	•		
00110	P	6.99	256	650	8.1	12.25	1.2 - 0.7	0.7 - 0.5	0.9	•		

1) Housing dimensions according to ISO 7425-2



For surface finish, lead in chamfer and other installation dimensions see „General installation guidelines“.

Ordering example

Rod diameter 40 mm

ON 0400 052 00111 D (40.0 × 55.1 × 6.3)

ON Profile

0400 Rod diameter × 10

052 Compound

00111 Series no. / compound code O-ring

00110 without O-ring

00111 N0674 (NBR) 70^{±5} Shore A -30 / +110 °C

00112 V0747 (FKM) 75^{±5} Shore A -25 / +200 °C

00113 N0756 (NBR) 75^{±5} Shore A -50 / +110 °C

00114 E0540 (EPDM) 80^{±5} Shore A -40 / +150 °C

00115 N3578 (NBR) 75^{±5} Shore A -30 / +110 °C

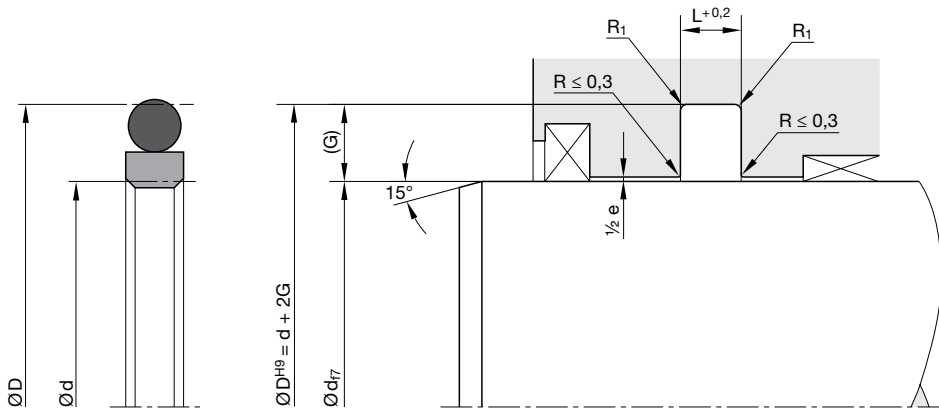
00116 N0552 (NBR) 90^{±5} Shore A -30 / +100 °C

00117 N1173 (HNBR) 70^{±5} Shore A -30 / +150 °C

D Cross-section

Please note:

For certain applications, it might be convenient to use a non-standard cross-section reduced or heavier. In these cases, please replace the standard cross-section code (in above example: „D“) by the one you require (for example „C“ or „E“).



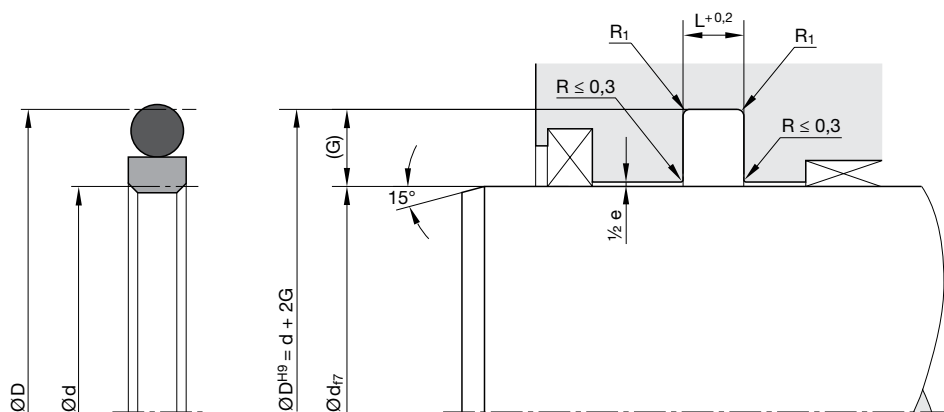
For surface finish, lead in chamfer and other installation dimensions see „General installation guidelines“.

Standard range

Size	Groove			No.	O-ring		ISO ¹⁾
	Ø d (mm)	Ø D (mm)	L (mm)		CS (mm)	ID (mm)	
0040	4	8.90	2.20	2-010	1.78	6.07	
0050	5	9.90	2.20	2-010	1.78	6.07	
0060	6	11	2.20	2-011	1.78	7.65	•
0070	7	11.90	2.20	2-012	1.78	9.25	
0080	8	13	2.20	2-012	1.78	9.25	•
0080	8	15.30	3.20	2-111	2.62	10.77	
0100	10	15	2.20	2-013	1.78	10.82	•
0100	10	17.30	3.20	2-112	2.62	12.37	
0120	12	17	2.20	2-015	1.78	14	•
0120	12	19.30	3.20	2-114	2.62	15.54	
0120	12	19.50	3.20	2-114	2.62	15.54	•
0140	14	19	2.20	2-016	1.78	15.60	•
0140	14	21.50	3.20	2-115	2.62	17.12	•
0150	15	22.30	3.20	2-116	2.62	18.72	
0160	16	23.50	3.20	2-116	2.62	18.72	•
0180	18	25.30	3.20	2-117	2.62	20.29	
0180	18	25.50	3.20	2-117	2.62	20.29	•
0200	20	27.50	3.20	2-118	2.62	21.89	•
0200	20	30.70	4.20	2-214	3.53	24.99	
0200	20	31	4.20	2-214	3.53	24.99	•
0220	22	29.50	3.20	2-120	2.62	25.07	•
0220	22	32.70	4.20	2-215	3.53	26.57	
0220	22	33	4.20	2-215	3.53	26.57	•
0250	25	32.50	3.20	2-122	2.62	26.24	•
0250	25	35.70	4.20	2-217	3.53	29.32	
0250	25	36	4.20	2-217	3.53	29.32	•
0260	26	36.70	4.20	2-218	3.53	31.34	
0280	28	38.70	4.20	2-219	3.53	32.92	
0280	28	39	4.20	2-219	3.53	32.92	•
0300	30	40.70	4.20	2-220	3.53	34.52	

Size	Groove			No.	O-ring		ISO ¹⁾
	Ø d (mm)	Ø D (mm)	L (mm)		CS (mm)	ID (mm)	
0320	32	42.70	4.20	2-221	3.53	36.09	
0320	32	43	4.20	2-221	3.53	36.09	•
0350	35	45.70	4.20	2-222	3.53	37.69	
0360	36	47	4.20	2-223	3.53	40.87	•
0380	38	53.10	6.30	2-327	5.33	43.82	
0400	40	51	4.20	2-224	3.53	44.04	•
0400	40	55.10	6.30	2-328	5.33	46.99	
0420	42	57.10	6.30	2-328	5.33	46.99	
0450	45	56	4.20	2-226	3.53	50.39	•
0450	45	60.10	6.30	2-329	5.33	50.17	
0480	48	63.10	6.30	2-330	5.33	53.34	
0500	50	61	4.20	2-227	3.53	53.57	•
0500	50	65.10	6.30	2-331	5.33	56.52	
0520	52	67.10	6.30	2-331	5.33	56.52	
0550	55	70.10	6.30	2-332	5.33	59.69	
0560	56	67	4.20	2-229	3.53	59.92	•
0560	56	71.50	6.30	2-332	5.33	59.69	•
0580	58	73.10	6.30	2-333	5.33	62.87	
0600	60	75.10	6.30	2-334	5.33	66.04	
0630	63	74	4.20	2-231	3.53	66.27	•
0630	63	78.50	6.30	2-335	5.33	69.22	•
0650	65	80.10	6.30	2-335	5.33	69.22	
0700	70	85.10	6.30	2-337	5.33	75.57	
0700	70	85.50	6.30	2-337	5.33	75.57	•
0750	75	90.10	6.30	2-339	5.33	81.92	
0800	80	95.10	6.30	2-340	5.33	85.09	
0800	80	95.50	6.30	2-340	5.33	85.09	•
0850	85	100.10	6.30	2-342	5.33	91.44	
0900	90	105.10	6.30	2-343	5.33	94.62	
0900	90	105.50	6.30	2-343	5.33	94.62	•

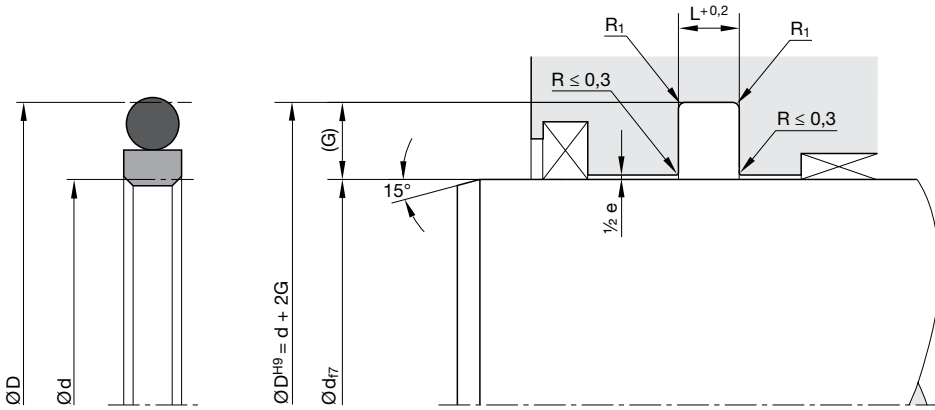
1) ISO 7425-2
Further sizes on request.



For surface finish, lead in chamfer and other installation dimensions see „General installation guidelines“.

Size	Groove			O-ring			ISO ¹⁾	Size	Groove			O-ring			ISO ¹⁾
	Ø d (mm)	Ø D (mm)	L (mm)	No.	CS (mm)	ID (mm)			Ø d (mm)	Ø D (mm)	L (mm)	No.	CS (mm)	ID (mm)	
0950	95	110.10	6.30	2-345	5.33	100.97		2500	250	270.50	8.10	2-449	6.99	253.37	
1000	100	115.10	6.30	2-346	5.33	104.14		2500	250	271	8.10	2-449	6.99	253.37	•
1000	100	115.50	6.30	2-346	5.33	104.14	•	2600	260	284	8.10	2-450	6.99	266.07	
1100	110	125.10	6.30	2-350	5.33	116.84		2700	270	294	8.10	2-451	6.99	278.77	
1100	110	125.50	6.30	2-350	5.33	116.84	•	2800	280	304	8.10	2-452	6.99	291.47	
1200	120	135.10	6.30	2-353	5.33	126.37		2800	280	304.50	8.10	2-452	6.99	291.47	•
1250	125	140.10	6.30	2-354	5.33	129.54		2900	290	314	8.10	2-453	6.99	304.17	
1250	125	140.50	6.30	2-354	5.33	129.54	•	3000	300	324	8.10	2-453	6.99	304.17	
1300	130	145.10	6.30	2-356	5.33	135.89		3100	310	334	8.10	2-454	6.99	316.87	
1400	140	155.10	6.30	2-359	5.33	145.42		3200	320	344	8.10	2-455	6.99	329.57	
1400	140	155.50	6.30	2-359	5.33	145.42	•	3200	320	344.50	8.10	2-455	6.99	329.57	•
1500	150	165.10	6.30	2-361	5.33	151.77		3300	330	354	8.10	2-456	6.99	342.27	
1600	160	175.10	6.30	2-363	5.33	164.47		3400	340	364	8.10	2-457	6.99	354.97	
1600	160	175.50	6.30	2-363	5.33	164.47	•	3500	350	374	8.10	2-457	6.99	354.97	
1600	160	181	8.10	2-439	6.99	164.47	•	3600	360	384	8.10	2-458	6.99	367.67	
1700	170	185.10	6.30	2-365	5.33	177.17		3600	360	384.50	8.10	2-458	6.99	367.67	•
1750	175	190.10	6.30	2-365	5.33	177.17		3700	370	394	8.10	2-459	6.99	380.37	
1800	180	195.10	6.30	2-366	5.33	183.52		3800	380	404	8.10	2-460	6.99	393.07	
1800	180	195.50	6.30	2-366	5.33	183.52	•	3900	390	414	8.10	2-461	6.99	405.26	
1800	180	201	8.10	2-442	6.99	183.52	•	4000	400	424	8.10	2-461	6.99	405.26	
1850	185	200.10	6.30	2-367	5.33	189.87		4100	410	434	8.10	2-462	6.99	417.96	
1900	190	205.10	6.30	2-368	5.33	196.22		4200	420	444	8.10	2-463	6.99	430.66	
1950	195	210.10	6.30	2-368	5.33	196.22		4300	430	454	8.10	2-464	6.99	443.36	
2000	200	220.50	8.10	2-445	6.99	202.57		4400	440	464	8.10	2-464	6.99	443.36	
2000	200	221	8.10	2-445	6.99	202.57	•	4500	450	474	8.10	2-465	6.99	456.06	
2100	210	230.50	8.10	2-446	6.99	215.27		4600	460	484	8.10	2-466	6.99	468.76	
2200	220	240.50	8.10	2-447	6.99	227.97		4700	470	494	8.10	2-467	6.99	481.46	
2200	220	241	8.10	2-447	6.99	227.97	•	4800	480	504	8.10	2-468	6.99	494.16	
2300	230	250.50	8.10	2-448	6.99	240.67		4900	490	514	8.10	2-469	6.99	506.86	
2400	240	260.50	8.10	2-449	6.99	240.67		5000	500	524	8.10	2-469	6.99	506.86	

1) ISO 7425-2
Further sizes on request.



For surface finish, lead in chamfer and other installation dimensions see „General installation guidelines“.

Size	Groove			No.	O-ring		ISO ¹⁾
	Ø d (mm)	Ø D (mm)	L (mm)		CS (mm)	ID (mm)	
5200	520	544	8.10	2-470	6.99	532.26	
5500	550	574	8.10	2-471	6.99	557.66	
5700	570	594	8.10	2-472	6.99	582.68	
6000	600	624	8.10	2-473	6.99	608.08	
6200	620	644	8.10	2-474	6.99	633.48	
6400	640	664	8.10	2-475	6.99	658.88	
6500	650	677.30	9.50	-	8.40	660	
7000	700	727.30	9.50	-	8.40	695	
8000	800	827.30	9.50	-	8.40	810	
9000	900	927.30	9.50	-	8.40	910	

1) ISO 7425-2
Further sizes on request.



- Good sealing performance in extremely small assembly conditions.
- Can also be used for single-acting applications.
- Excellent wear resistance.
- Minimal break-away and dynamic friction and no stick-slip tendency ensures uniform motion even at low speeds.
- Good energy efficiency due to low friction.
- Insensitive to pressure peaks.
- High temperature resistance assured by suitable O-ring compound selection.
- High extrusion resistance.
- Adaptable to nearly all media thanks to high chemical resistance of the sealing ring and large O-ring compound selection.
- Short axial assembly length.
- Installation in closed and undercut housings.
- Available in diameters from 4 to 4500 mm.
- Additional sizes of machined products available on short notice.

The OM double-acting rod sealing set featuring a Slipper Seal® design is characterized by minimal break-away and dynamic friction and is therefore also suitable for low-lube conditions. The seal design enables fast reaction in reciprocating pressure loads.

The OM product series is particularly well suited for sealing applications in control cylinders, servo-assisted systems and machine tools.

Due to the material combination of the slipper ring (PTFE) and the O-ring (elastomer), this product is suitable for a wide range of applications, especially for aggressive media and/or high temperatures. An extensive selection of materials is available for specific application profiles.

Range of application

The OM rod sealing set is suitable for a wide range of applications, especially for aggressive media and/or high temperatures.

Operating pressure	≤ 400 bar
in case of reduced extrusion gap (H7/f7) and large cross sections	≤ 600 bar
Operating temperature	-30 °C to +100 °C ¹⁾
Sliding speed	≤ 4 m/s

¹⁾With deviation from standard temperature range, please contact our consultancy service for adequate O-ring compound.

Compounds

Sealing ring: Polon® 052, modified PTFE + 40% bronze.

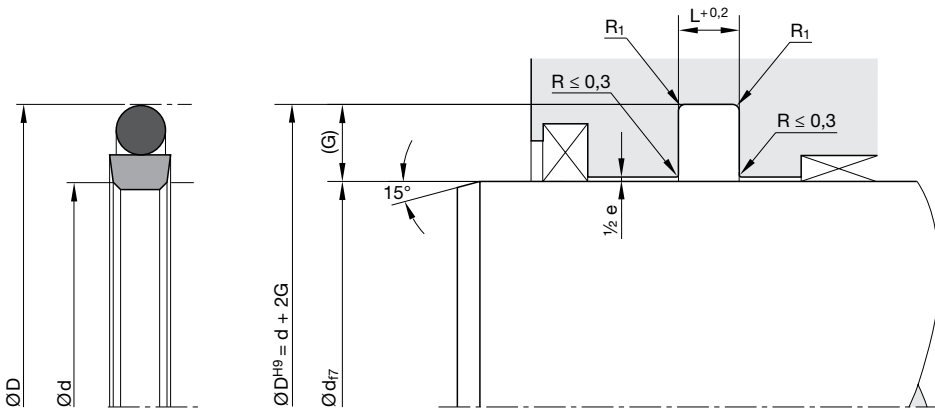
O-ring: N0674, NBR elastomer with approx. 70 Shore A.

Installation

For diameters < 30 mm open grooves are required.

This seal should only be used in combination with guiding elements (e.g. F3).

In case of special operating conditions (specific pressure loads, temperature, speed, use in water, HFA, HFB fluids etc.), please contact our consultancy service for a selection of the material and design best suiting your particular application requirements.



For surface finish, lead in chamfer and other installation dimensions see „General installation guidelines“.

Housing dimensions

Series no.	Cross-section	O-ring cross-section (mm)	Recommended rod \varnothing range		Groove width L (mm)	Groove depth G (mm)	Gap max. 0-200 bar		Gap max. 200-400 bar		Radius max. R_1 (mm)
			\geq d (mm)	$<$ d (mm)			e (mm)	e (mm)			
00130	A	1.78	4	8	2.2	2.45	0.6 - 0.4	0.4 - 0.2	0.5		
00130	B	2.62	8	19	3.2	3.65	0.8 - 0.5	0.5 - 0.3	0.5		
00130	C	3.53	19	38	4.2	5.35	0.8 - 0.5	0.5 - 0.3	0.5		
00130	D	5.33	38	200	6.3	7.55	1.0 - 0.6	0.6 - 0.4	0.9		
00130	E	6.99	200	300	8.1	10.25	1.0 - 0.6	0.6 - 0.4	0.9		

Ordering example

Rod diameter 40 mm

OM 0400 052 00131 D (40.0 x 55.1 x 6.3)

OM Profile

0400 Rod diameter x 10 mm

052 Compound

00131 Series no. / compound code O-ring

00130 none O-ring

00131 N0674 (NBR) 70 \pm 5 Shore A -30 / +110 °C

00132 V0747 (FKM) 75 \pm 5 Shore A -25 / +200 °C

00133 N0756 (NBR) 75 \pm 5 Shore A -50 / +100 °C

00134 E0540 (EPDM) 80 \pm 5 Shore A -40 / +150 °C

00135 N3578 (NBR) 75 \pm 5 Shore A -30 / +110 °C

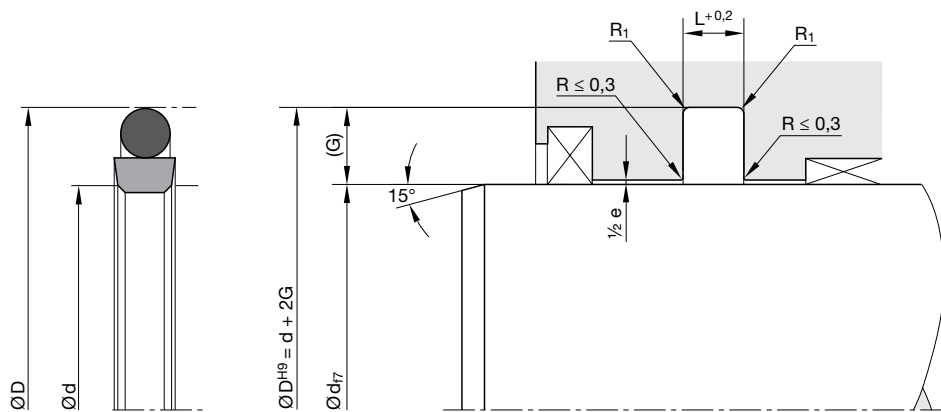
00136 N0552 (NBR) 90 \pm 5 Shore A -30 / +100 °C

00137 N1173 (HNBR) 70 \pm 5 Shore A -30 / +150 °C

D Cross-section

Please note:

For certain applications, it might be convenient to use a non-standard cross-section reduced or heavier. In these cases, please replace the standard cross-section code (in above example: „D“) by the one you require (for example „C“ or „E“).



For surface finish, lead in chamfer and other installation dimensions see „General installation guidelines“.

Standard range

Size	Groove			No.	O-ring	
	Ø d (mm)	Ø D (mm)	L (mm)		CS (mm)	ID (mm)
0040	4	8.90	2.20	2-010	1.78	6.07
0050	5	9.90	2.20	2-010	1.78	6.07
0060	6	10.90	2.20	2-011	1.78	7.65
0070	7	11.90	2.20	2-012	1.78	9.25
0080	8	12.90	2.20	2-012	1.78	9.25
0100	10	17.30	3.20	2-112	2.62	12.37
0120	12	19.30	3.20	2-114	2.62	15.54
0140	14	21.30	3.20	2-115	2.62	17.12
0150	15	22.30	3.20	2-116	2.62	18.72
0160	16	23.30	3.20	2-116	2.62	18.72
0180	18	25.30	3.20	2-117	2.62	20.29
0200	20	27.30	3.20	2-118	2.62	21.89
0200	20	30.70	4.20	2-214	3.53	24.99
0220	22	32.70	4.20	2-215	3.53	26.57
0250	25	35.70	4.20	2-217	3.53	29.32
0260	26	36.70	4.20	2-218	3.53	31.34
0280	28	38.70	4.20	2-219	3.53	32.92
0300	30	40.70	4.20	2-220	3.53	34.52
0320	32	42.70	4.20	2-221	3.53	36.09
0350	35	45.70	4.20	2-222	3.53	37.69
0360	36	46.70	4.20	2-223	3.53	40.87
0400	40	55.10	6.30	2-328	5.33	46.99
0420	42	57.10	6.30	2-328	5.33	46.99
0450	45	60.10	6.30	2-329	5.33	50.17
0480	48	63.10	6.30	2-330	5.33	53.34
0500	50	65.10	6.30	2-331	5.33	56.52
0520	52	67.10	6.30	2-331	5.33	56.52
0550	55	70.10	6.30	2-332	5.33	59.69
0560	56	71.10	6.30	2-332	5.33	59.69
0580	58	73.10	6.30	2-333	5.33	62.87
0600	60	75.10	6.30	2-334	5.33	66.04
0630	63	78.10	6.30	2-335	5.33	69.22
0650	65	80.10	6.30	2-335	5.33	69.22
0700	70	85.10	6.30	2-337	5.33	75.57
0750	75	90.10	6.30	2-339	5.33	81.92
0800	80	95.10	6.30	2-340	5.33	85.09
0850	85	100.10	6.30	2-342	5.33	91.44
0900	90	105.10	6.30	2-343	5.33	94.62
0950	95	110.10	6.30	2-345	5.33	100.97
1000	100	115.10	6.30	2-346	5.33	104.14
1100	110	125.10	6.30	2-350	5.33	116.84
1200	120	135.10	6.30	2-353	5.33	126.37
1250	125	140.10	6.30	2-354	5.33	129.54
1300	130	145.10	6.30	2-356	5.33	135.89
1400	140	155.10	6.30	2-359	5.33	145.42
1500	150	165.10	6.30	2-361	5.33	151.77
1600	160	175.10	6.30	2-363	5.33	164.47
1700	170	185.10	6.30	2-365	5.33	177.17
1750	175	190.10	6.30	2-365	5.33	177.17
1800	180	195.10	6.30	2-366	5.33	183.52
1850	185	200.10	6.30	2-367	5.33	189.87
1900	190	205.10	6.30	2-368	5.33	196.22
1950	195	210.10	6.30	2-368	5.33	196.22
2000	200	220.50	8.10	2-445	6.99	202.57
2100	210	230.50	8.10	2-446	6.99	215.27
2200	220	240.50	8.10	2-447	6.99	227.97
2300	230	250.50	8.10	2-448	6.99	240.67
2400	240	260.50	8.10	2-449	6.99	240.67
2500	250	270.50	8.10	2-449	6.99	253.37

Further sizes on request.



The CR double-acting rod sealing set featuring a Caveseal design consists of a PTFE rod sealing ring and an elastomer O-ring as a preloading element. The sealing set is suitable for dynamic applications as an alternative to an O-ring in situations requiring optimum sealing performance and friction. The Caveseal design enables installation in smallest grooves.

Due to the material combination of the slipper ring (PTFE) and the O-ring (elastomer), this product is suitable for a wide range of applications, especially for aggressive media and/or high temperatures. An extensive selection of materials is available for specific application profiles.

- Good sealing performance in extremely small assembly conditions.
- Excellent wear resistance.
- Minimal break-away and dynamic friction and no stick-slip tendency ensures uniform motion even at low speeds.
- Good energy efficiency due to low friction.
- High temperature resistance assured by suitable O-ring compound selection.
- Adaptable to nearly all media thanks to high chemical resistance of the sealing ring and large O-ring compound selection.
- Short axial assembly length.
- Short radial assembly depth.
- Installation in closed and undercut housings.
- Available in diameters from 4 to 4500 mm.
- Can be used in existing O-ring grooves.
- Additional sizes of machined products available on short notice.

Range of application

The CR rod sealing set has been designed to replace standard O-rings. For dynamic applications we recommend our OA product series for pneumatic applications and ON or OE for hydraulic applications.

Operating pressure	≤ 160 bar
Operating temperature	-30 °C to +100 °C ¹⁾
Sliding speed	≤ 4 m/s

¹⁾ With deviation from standard temperature range, please contact our consultancy service for adequate O-ring compound.

Compounds

Sealing ring: Polon[®] 012, modified PTFE.

O-ring: N0674, NBR elastomer with approx. 70 Shore A.

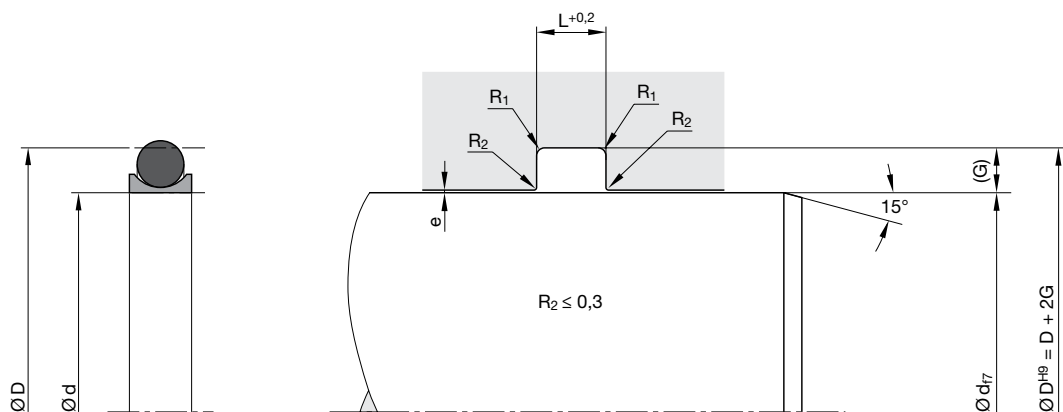
Installation

For diameters < 10 mm, open grooves are required.

Concerning design modifications of the groove, please contact our Consultancy Service.

Please apply this seal only in combination with guiding elements (e.g. F3).

In case of special operating conditions (specific pressure loads, temperature, speed, use in water, HFA, HFB fluids etc.), please contact our consultancy service for a selection of the material and design best suiting your particular application requirements.



For surface finish, lead in chamfer and other installation dimensions see „General installation guidelines“.

Housing dimensions

Series no.	Cross-section	O-ring cross-section (mm)	Recommended rod \varnothing range		Groove width L (mm)	Groove depth G (mm)	Gap max. e (mm)	Radius max. R_1 (mm)
			\geq d (mm)	$<$				
07400	A	1.78	4	10	2.4	1.45	0.15	0.5
07400	B	2.62	10	20	3.6	2.25	0.2	0.5
07400	C	3.53	20	40	4.8	3.10	0.2	0.5
07400	D	5.33	40	120	7.1	4.7	0.25	0.9
07400	E	6.99	120	400	9.5	6.1	0.3	0.9

Ordering example

Rod diameter 40 mm

CR 0400 012 07401 D (40 x 49.4 x 7.1)

CR Profile

0400 Rod diameter x 10

012 Compound

07401 Series no. / compound code O-ring

07400 without O-ring

07401 N0674 (NBR) 70^{±5} Shore A -30 / +110 °C

07402 V0747 (FKM) 75^{±5} Shore A -25 / +200 °C

07403 N0756 (NBR) 75^{±5} Shore A -50 / +110 °C

07404 E0540 (EPDM) 80^{±5} Shore A -40 / +150 °C

07405 N3578 (NBR) 75^{±5} Shore A -30 / +110 °C

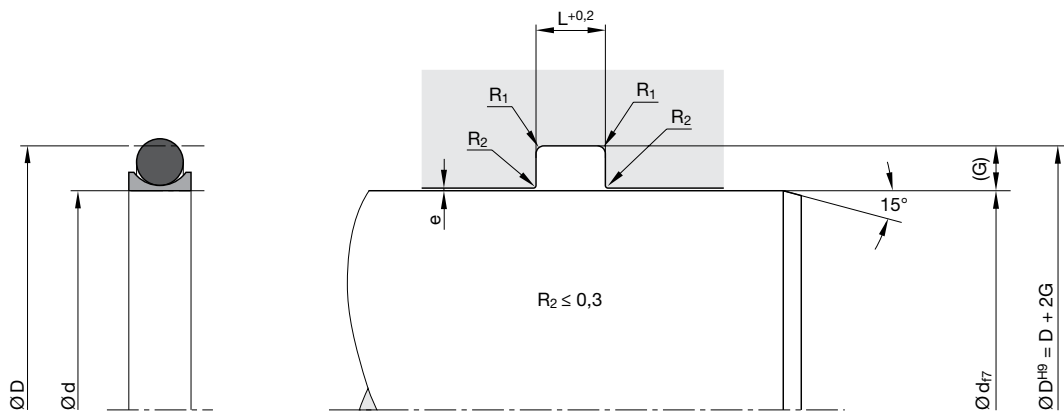
07406 N0552 (NBR) 90^{±5} Shore A -30 / +100 °C

07407 N1173 (HNBR) 70^{±5} Shore A -30 / +150 °C

D Cross-section

Please note:

For certain applications, it might be convenient to use a non-standard cross-section reduced or heavier. In these cases, please replace the standard cross-section code (in above example: „D“) by the one you require (for example „C“ or „E“).



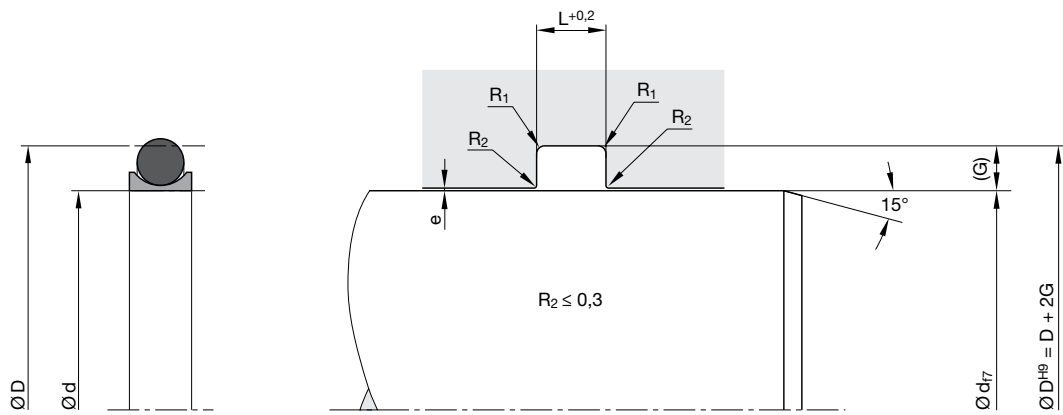
For surface finish, lead in chamfer and other installation dimensions see „General installation guidelines“.

Standard range

Size	O-ring			Groove		
	$\varnothing d$ (mm)	$\varnothing D$ (mm)	L (mm)	No.	CS (mm)	ID (mm)
0040	4	6.90	2.40	2-008	1.78	4.47
0050	5	7.90	2.40	2-009	1.78	5.28
0060	6	8.90	2.40	2-010	1.78	6.07
0080	8	10.90	2.40	2-011	1.78	7.65
0100	10	14.50	3.60	2-111	2.62	10.77
0120	12	16.50	3.60	2-112	2.62	12.37
0140	14	18.50	3.60	2-113	2.62	13.94
0150	15	19.50	3.60	2-114	2.62	15.54
0160	16	20.50	3.60	2-114	2.62	15.54
0180	18	22.50	3.60	2-116	2.62	18.72
0200	20	26.20	4.80	2-211	3.53	20.22
0220	22	28.20	4.80	2-212	3.53	21.82
0250	25	31.20	4.80	2-214	3.53	24.99
0300	30	36.20	4.80	2-217	3.53	29.32
0320	32	38.20	4.80	2-219	3.53	32.92
0350	35	41.20	4.80	2-220	3.53	34.52
0360	36	42.20	4.80	2-221	3.53	36.09
0400	40	49.40	7.10	2-326	5.33	40.64
0450	45	54.40	7.10	2-327	5.33	43.82
0480	48	57.40	7.10	2-328	5.33	46.99
0500	50	59.40	7.10	2-329	5.33	50.17
0520	52	61.40	7.10	2-329	5.33	50.17
0560	56	65.40	7.10	2-331	5.33	56.52
0600	60	69.40	7.10	2-332	5.33	59.69
0630	63	72.40	7.10	2-333	5.33	62.87
0650	65	74.40	7.10	2-334	5.33	66.04
0700	70	79.40	7.10	2-335	5.33	69.22
0750	75	84.40	7.10	2-337	5.33	75.57
0800	80	89.40	7.10	2-338	5.33	78.74
0850	85	94.40	7.10	2-340	5.33	85.09

Further sizes on request.

Size	O-ring			Groove		
	$\varnothing d$ (mm)	$\varnothing D$ (mm)	L (mm)	No.	CS (mm)	ID (mm)
0900	90	99.40	7.10	2-342	5.33	91.44
0950	95	104.40	7.10	2-343	5.33	94.62
1000	100	109.40	7.10	2-345	5.33	100.97
1050	105	114.40	7.10	2-346	5.33	104.14
1100	110	119.40	7.10	2-348	5.33	110.94
1150	115	124.40	7.10	2-350	5.33	116.84
1200	120	132.20	9.50	2-427	6.99	120.02
1250	125	137.20	9.50	2-429	6.99	126.37
1300	130	142.20	9.50	2-430	6.99	129.54
1350	135	127.20	9.50	2-432	6.99	135.89
1400	140	152.20	9.50	2-433	6.99	139.07
1500	150	162.20	9.50	2-437	6.99	151.77
1600	160	172.20	9.50	2-438	6.99	158.12
1700	170	182.20	9.50	2-440	6.99	170.82
1800	180	192.20	9.50	2-442	6.99	183.52
1900	190	202.20	9.50	2-443	6.99	189.87
2000	200	212.20	9.50	2-445	6.99	202.57
2100	210	222.20	9.50	2-446	6.99	215.27
2200	220	232.20	9.50	2-446	6.99	215.27
2300	230	242.20	9.50	2-447	6.99	227.97
2400	240	252.20	9.50	2-448	6.99	240.67
2500	250	262.20	9.50	2-449	6.99	253.37
2600	260	272.20	9.50	2-450	6.99	266.07
2700	270	282.20	9.50	2-450	6.99	266.07
2800	280	292.20	9.50	2-451	6.99	278.77
2900	290	302.20	9.50	2-452	6.99	291.47
3000	300	312.20	9.50	2-453	6.99	304.17
3100	310	322.20	9.50	2-454	6.99	316.87
3200	320	332.20	9.50	2-454	6.99	316.87
3300	330	342.20	9.50	2-455	6.99	329.57



For surface finish, lead in chamfer and other installation dimensions see „General installation guidelines“.

Size	O-ring			Groove		
	Ø d (mm)	Ø D (mm)	L (mm)	No.	CS (mm)	ID (mm)
3400	340	352.20	9.50	2-456	6.99	342.27
3500	350	362.20	9.50	2-457	6.99	354.97
3600	360	372.20	9.50	2-457	6.99	354.97
3700	370	382.20	9.50	2-458	6.99	367.67
3800	380	392.20	9.50	2-459	6.99	380.37
3900	390	402.20	9.50	2-460	6.99	393.07
4000	400	412.20	9.50	2-461	6.99	405.26

Further sizes on request.



The double-acting OA piston sealing set featuring a Slipper Seal® design consists of a PTFE piston sealing ring and an elastomer O-ring as a preloading element. The seal design is intended for pneumatic applications. The symmetrical cross section of the sealing ring is designed for uniform formation of the lubricant film during the stroke in both directions. The OA sealing set is particularly well suited for double-acting pistons.

Due to the material combination of the slide ring (PTFE) and O-ring (elastomer), this product is suitable for a wide range of applications, especially for aggressive media and/or high temperatures. For pneumatic applications, the piston sealing ring is preferably made from a carbon-filled PTFE compound in order to avoid chemical reactions with the aluminum components of the cylinder. Alternatively, several compounds can be selected, depending on the specific applications profile.

- Due to application-optimized geometry and compounds suitable for use in oiled as well as in oil-free air (after initial lubrication on assembly).
- Good sealing performance in extremely small assembly conditions.
- Can also be used for single-acting applications.
- Good wear resistance.
- Minimal break-away and dynamic friction and no stick-slip tendency ensures uniform motion even at low speeds.
- Good energy efficiency due to low friction.
- Very good emergency running properties in low-lube conditions.
- Assembly on one-part piston is possible.
- High temperature resistance assured by suitable O-ring compound selection.
- Adaptable to nearly all media thanks to high chemical resistance of the sealing ring and large O-ring compound selection.
- Short axial assembly length.
- Installation in closed and undercut housings.
- Available in diameters from 4 to 4500 mm.
- Additional sizes of machined products available on short notice.

Range of application

Piston sealing set for pneumatic applications.

Operating pressure	≤ 16 bar
Operating temperature	-30 °C to +80 °C ¹⁾
Sliding speed	≤ 4 m/s

¹⁾ With deviation from standard temperature range, please contact our consultancy service for adequate O-ring compound.

Compounds

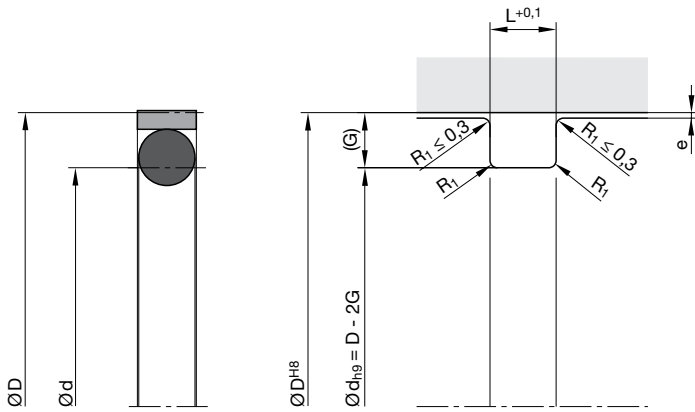
Sealing ring: Polon® 033, modified PTFE + 25 % carbon.
O-ring: N0674, NBR elastomer with approx. 70 Shore A.

Installation

The grooves must be carefully cleaned and deburred. The cylinder bore must have a lead-in chamfer. When fitting the piston sealing ring there is always a risk that the ring may tilt and be sheared off by normal lead-in chamfers (see chapter “General installation guidelines for piston seals, PTFE seals”, fig. 1). We therefore recommend that up to a cylinder diameter of 230 mm a lead-in chamfer according to fig. 2 or detail “A” is considered. In the case of smaller rings which are especially liable to bending we recommend an open-groove design for diameters smaller than 30 mm.

This seal should only be used in combination with guiding elements (e.g. profile F2).

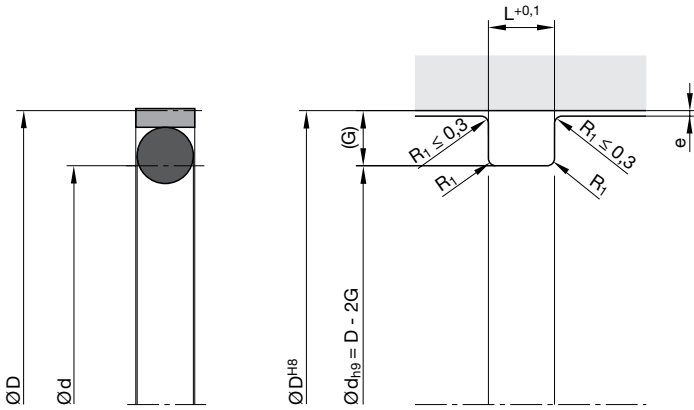
In case of special operating conditions (specific pressure loads, temperature, speed, use in water, HFA, HFB fluids etc.), please contact our consultancy service for a selection of the material and design best suiting your particular application requirements.



For surface finish, lead in chamfer and other installation dimensions see „General installation guidelines“.

Housing dimensions

Series no.	Cross-section	O-ring cross-section (mm)	Recommended piston Ø range		Groove width L (mm)	Groove depth G (mm)	Gap max. e (mm)	Radius max. R ₁ (mm)
			≥ D (mm)	< D (mm)				
01800	A	1.78	7	16	2.00	2.00	0.20	0.5
01800	B	2.62	16	27	2.85	3.00	0.25	0.5
01800	C	3.53	27	50	3.80	3.75	0.25	0.5
01800	D	5.33	50	130	5.60	6.25	0.50	0.9
01800	E	6.99	130	180	7.55	7.50	0.50	0.9
01800	F	6.99	180	240	7.55	9.00	0.75	0.9
01800	G	6.99	240	420	7.55	12.00	1.00	0.9



For surface finish, lead in chamfer and other installation dimensions see „General installation guidelines“.

Ordering example

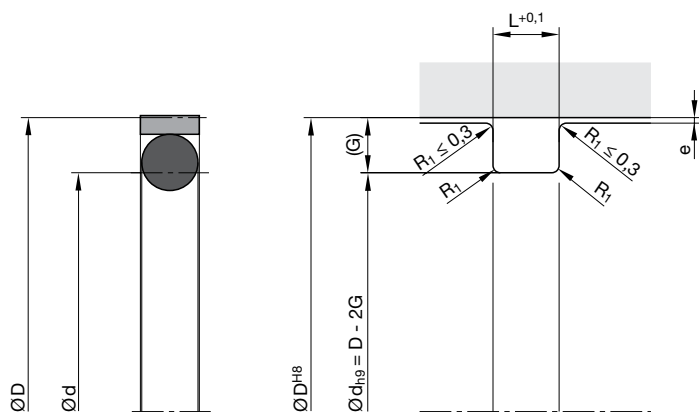
Piston diameter 40 mm

OA 0400 033 01801 C (40 × 32.5 × 3.8)

OA	Profile			
0400	Piston diameter × 10			
033	Compound			
01801	Series no. / compound code O-ring			
	01800	without O-ring		
	01801	N0674 (NBR)	70 ^{±5} Shore A	-30 / +110 °C
	01802	V0747 (FKM)	75 ^{±5} Shore A	-25 / +200 °C
	01803	N0756 (NBR)	75 ^{±5} Shore A	-50 / +110 °C
	01804	E0540 (EPDM)	80 ^{±5} Shore A	-40 / +150 °C
	01805	N3578 (NBR)	75 ^{±5} Shore A	-30 / +110 °C
	01806	N0552 (NBR)	90 ^{±5} Shore A	-30 / +100 °C
	01807	N1173 (HNBR)	70 ^{±5} Shore A	-30 / +150 °C
C	Cross-section			

Please note:

For certain applications, it might be convenient to use a non-standard cross-section reduced or heavier. In these cases, please replace the standard cross-section code (in above example: „C“) by the one you require (for example „B“ or „D“).



For surface finish, lead in chamfer and other installation dimensions see „General installation guidelines“.

Standard range

Size	Groove			O-ring		
	Ø D mm	Ø d mm	L mm	No.	CS mm	ID mm
0070	7	3	2	2-006	1.78	2.90
0080	8	4	2	2-007	1.78	3.68
0090	9	5	2	2-008	1.78	4.47
0100	10	6	2	2-010	1.78	6.07
0110	11	7	2	2-010	1.78	6.07
0120	12	8	2	2-011	1.78	7.65
0140	14	10	2	2-012	1.78	9.25
0160	16	10	2.85	2-110	2.62	9.19
0180	18	12	2.85	2-112	2.62	12.37
0190	19	13	2.85	2-112	2.62	12.37
0200	20	14	2.85	2-113	2.62	13.94
0220	22	16	2.85	2-114	2.62	15.54
0250	25	19	2.85	2-116	2.62	18.72
0280	28	20.50	3.80	2-211	3.53	20.22
0300	30	22.50	3.80	2-212	3.53	21.82
0320	32	24.50	3.80	2-214	3.53	24.99
0350	35	27.50	3.80	2-215	3.53	26.57
0360	36	28.50	3.80	2-216	3.53	28.17
0380	38	30.50	3.80	2-217	3.53	29.74
0400	40	32.50	3.80	2-219	3.53	32.92
0420	42	34.50	3.80	2-220	3.53	34.52
0450	45	37.50	3.80	2-221	3.53	37.69
0480	48	40.50	3.80	2-223	3.53	40.87
0500	50	37.50	5.60	2-325	5.33	37.47
0550	55	42.50	5.60	2-326	5.33	40.64
0600	60	47.50	5.60	2-328	5.33	46.99
0630	63	50.50	5.60	2-329	5.33	50.17
0650	65	52.50	5.60	2-329	5.33	50.17
0700	70	57.50	5.60	2-331	5.33	56.52
0740	74	61.50	5.60	2-332	5.33	59.69

Size	Groove			O-ring		
	Ø D mm	Ø d mm	L mm	No.	CS mm	ID mm
0750	75	62.50	5.60	2-333	5.33	62.87
0800	80	67.50	5.60	2-334	5.33	66.04
0850	85	72.50	5.60	2-336	5.33	72.39
0900	90	77.50	5.60	2-337	5.33	75.57
0920	92	79.50	5.60	2-338	5.33	78.74
1000	100	87.50	5.60	2-340	5.33	85.09
1050	105	92.50	5.60	2-342	5.33	91.44
1100	110	97.50	5.60	2-344	5.33	97.79
1150	115	102.50	5.60	2-345	5.33	100.97
1200	120	107.50	5.60	2-347	5.33	107.32
1250	125	112.50	5.60	2-348	5.33	110.49
1300	130	115	7.55	2-425	6.99	113.67
1400	140	125	7.55	2-428	6.99	123.19
1500	150	135	7.55	2-431	6.99	132.72
1600	160	145	7.55	2-435	6.99	142.24
2000	200	182	7.55	2-441	6.99	177.17
2200	220	202	7.55	2-444	6.99	196.22

Further sizes on request.



The single-acting OG piston sealing set consists of a PTFE piston sealing ring and an elastomer O-ring as a preloading element. The asymmetrical cross-section of the sealing ring is designed for best drag oil performance during stroke in both directions. The OG sealing set is particularly suitable for single-acting pistons in control cylinders, servo controlled systems, machine tools and quick-acting cylinders. Due to the material combination of the slide ring (PTFE) and the O-ring (elastomer), this product is suitable for a wide range of applications, especially for aggressive media and/or high temperatures. Several compounds can alternatively be selected according to the specific application profile.

- Good sealing performance in extremely small assembly conditions.
- Excellent wear resistance.
- Minimal break-away and dynamic friction and no stick-slip tendency ensures uniform motion even at low speeds.
- Good energy efficiency due to low friction.
- Insensitive to pressure peaks.
- High temperature resistance assured by suitable O-ring compound selection.
- High extrusion resistance.
- Adaptable to nearly all media thanks to high chemical resistance of the sealing ring and large O-ring compound selection.
- Dimensions according to ISO 7425-1.
- Also available as double-acting version.
- Short axial assembly length.
- Installation in closed and undercut housings.
- Available in diameters from 4 to 4500 mm.
- Additional sizes of machined products available on short notice.

Range of application

Operating pressure	≤ 400 bar
in case of reduced extrusion gap (H7/f7) and large cross sections	≤ 600 bar
Operating temperature	-30 °C to +100 °C ¹⁾
Sliding speed	≤ 4 m/s

¹⁾With deviation from standard temperature range, please contact our consultancy service for adequate O-ring compound.

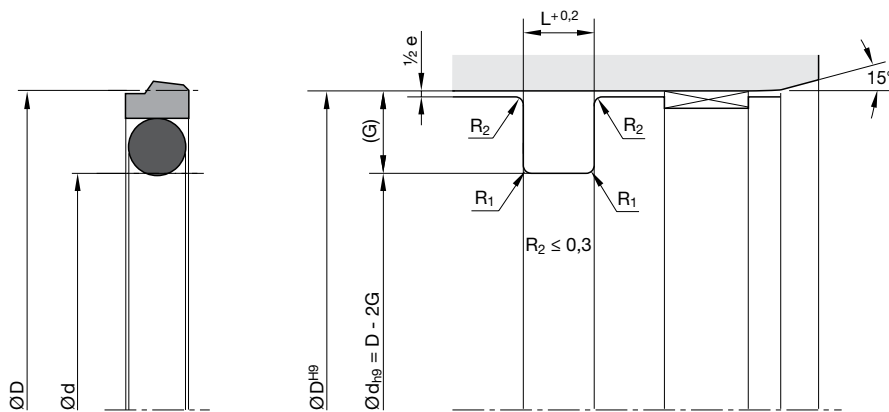
Compounds

Sealing ring: Polon® 052, modified PTFE + 40 % bronze.
O-ring: N0674, NBR elastomer with approx. 70 Shore A.

Installation

This seal should only be used in combination with guiding elements (e.g. F3).

In case of special operating conditions (specific pressure loads, temperature, speed, use in water, HFA, HFB fluids etc.), please contact our consultancy service for a selection of the material and design best suiting your particular application requirements.

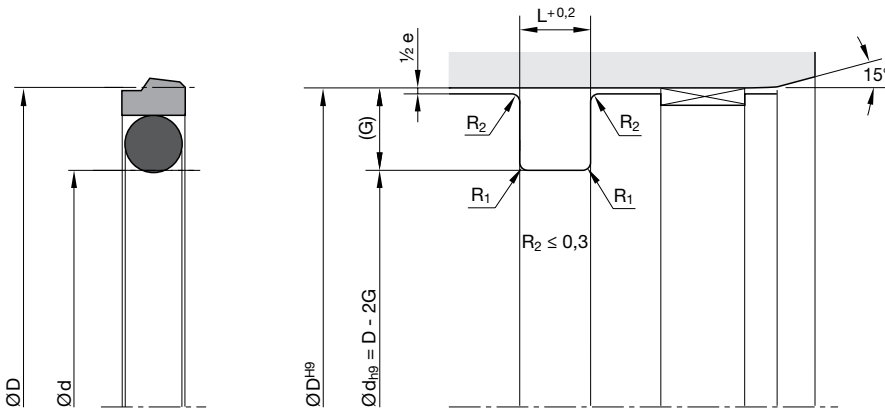


For surface finish, lead in chamfer and other installation dimensions see „General installation guidelines“.

Housing dimensions

Series no.	Cross-section	O-ring cross-section (mm)	Recommended piston Ø range		Groove width L (mm)	Groove depth G (mm)	Gap max. 0-200 bar		Gap max. 200-400 bar		Radius max. R ₁ (mm)	ISO ¹⁾
			≥ D (mm)	< D (mm)			e (mm)	e (mm)				
00270	A	1.78	8	17	2.2	2.45	0.6 - 0.4	0.4 - 0.2	0.5			
00270	B	2.62	17	27	3.2	3.65	0.8 - 0.5	0.5 - 0.3	0.5			
00270	C	3.53	27	60	4.2	5.35	0.8 - 0.5	0.5 - 0.3	0.5			
00270	D	5.33	60	200	6.3	7.55	1.0 - 0.6	0.6 - 0.4	0.9			
00270	E	6.99	200	256	8.1	10.25	1.0 - 0.6	0.6 - 0.4	0.9			
00270	F	6.99	256	670	8.1	12	1.2 - 0.7	0.7 - 0.5	0.9			
00270	G	8.4	670	1000	9.5	13.65	1.4 - 0.8	0.8 - 0.6	0.9			
00270	H	12	1000	-	13.8	19	1.4 - 0.8	0.8 - 0.6	0.9			
00270	K	1.78	8	17	2.2	2.5	0.6 - 0.4	0.4 - 0.2	0.5	●		
00270	L	2.62	17	27	3.2	3.75	0.8 - 0.5	0.5 - 0.3	0.5	●		
00270	M	3.53	27	60	4.2	5.5	0.8 - 0.5	0.5 - 0.3	0.5	●		
00270	N	3.53	27	60	5	5	0.8 - 0.5	0.5 - 0.3	0.5	●		
00270	O	5.33	60	200	6.3	7.75	1.0 - 0.6	0.6 - 0.4	0.9	●		
00270	P	5.33	60	200	7.5	7.5	1.0 - 0.6	0.6 - 0.4	0.9	●		
00270	Q	6.99	200	256	8.1	10.5	1.0 - 0.6	0.6 - 0.4	0.9	●		
00270	R	6.99	256	670	8.1	12.25	1.2 - 0.7	0.7 - 0.5	0.9	●		
00270	S	6.99	200	256	10	10	1.2 - 0.7	0.7 - 0.5	0.9	●		
00270	T	6.99	256	670	12.5	12.5	1.2 - 0.7	0.7 - 0.5	0.9	●		
00270	U	10.00	670	1000	12.5	15	1.4 - 0.8	0.8 - 0.6	0.9	●		
00270	V	10.00	670	1000	15	15	1.4 - 0.8	0.8 - 0.6	0.9	●		
00270	W	14.00	1000	-	20	20	1.4 - 0.8	0.8 - 0.6	0.9	●		

1) Housing dimensions according to ISO 7425-1



For surface finish, lead in chamfer and other installation dimensions see „General installation guidelines“.

Ordering example

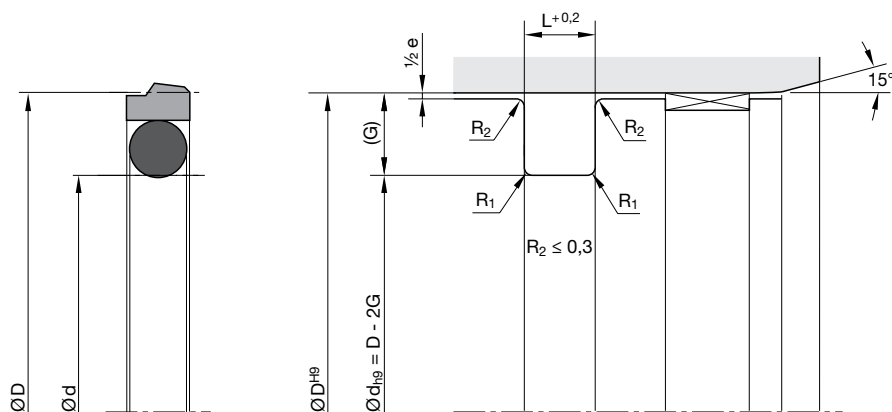
Piston diameter 80 mm

OG 0800 052 00271 D (80 × 64.9 × 6.3)

OG	Profile		
0800	Piston diameter × 10		
052	Compound		
00271	Series no. / compound code O-ring		
	00270	without O-ring	
	00271	N0674 (NBR)	70 ^{±5} Shore A -30 / +110 °C
	00272	V0747 (FKM)	75 ^{±5} Shore A -25 / +200 °C
	00273	N0756 (NBR)	75 ^{±5} Shore A -50 / +110 °C
	00274	E0540 (EPDM)	80 ^{±5} Shore A -40 / +150 °C
	00275	N3578 (NBR)	75 ^{±5} Shore A -30 / +110 °C
	00276	N0552 (NBR)	90 ^{±5} Shore A -30 / +100 °C
	00277	N1173 (HNBR)	70 ^{±5} Shore A -30 / +150 °C
D	Cross-section		

Please note:

For certain applications, it might be convenient to use a non-standard cross-section reduced or heavier. In these cases, please replace the standard cross-section code (in above example: „D“) by the one you require (for example „C“ or „E“).



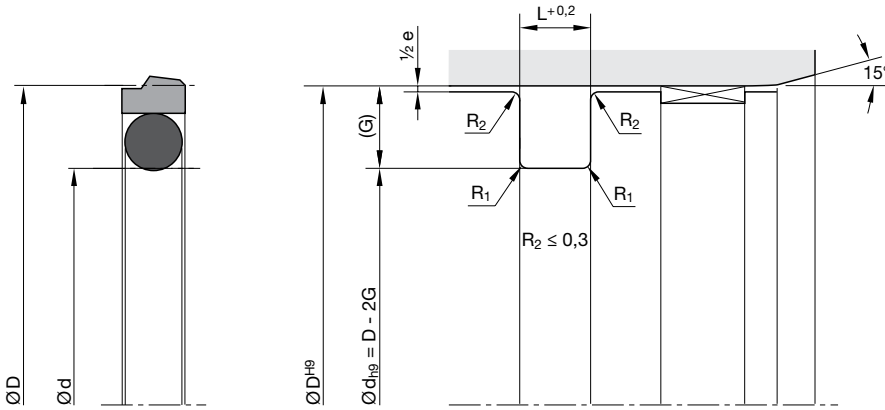
For surface finish, lead in chamfer and other installation dimensions see „General installation guidelines“.

Standard range

Size	Groove			No.	O-ring		ISO ¹⁾
	Ø D (mm)	Ø d (mm)	L (mm)		CS (mm)	ID (mm)	
0080	8	3.10	2.20	2-006	1.78	2.90	
0100	10	5.10	2.20	2-008	1.78	4.47	
0120	12	7.10	2.20	2-010	1.78	6.07	
0150	15	7.50	3.20	2-109	2.62	7.59	
0160	16	11	2.20	2-013	1.78	10.82	•
0160	16	8.50	3.20	2-109	2.62	7.59	•
0180	18	10.50	3.20	2-110	2.62	9.19	
0200	20	15	2.20	2-015	1.78	14	•
0200	20	12.50	3.20	2-111	2.62	10.77	•
0220	22	14.50	3.20	2-113	2.62	13.94	
0250	25	17.50	3.20	2-115	2.62	17.12	•
0250	25	14	4.20	2-207	3.53	13.87	•
0250	25	15	5	2-208	3.53	15.47	•
0280	28	20.50	3.20	2-116	2.62	18.72	
0300	30	22.50	3.20	2-118	2.62	21.89	
0320	32	24.50	3.20	2-119	2.62	23.47	•
0320	32	21	4.20	2-211	3.53	20.22	•
0320	32	22	5	2-212	3.53	21.82	•
0350	35	27.50	3.20	2-121	2.62	26.64	
0400	40	32.50	3.20	2-124	2.62	31.42	•
0400	40	29	4.20	2-216	3.53	28.17	•
0400	40	30	5	2-217	3.53	29.74	•
0420	42	31	4.20	2-217	3.53	29.74	
0450	45	34	4.20	2-219	3.53	32.92	
0480	48	37	4.20	2-221	3.53	36.09	
0500	50	39	4.20	2-222	3.53	37.69	•
0500	50	34.50	6.30	2-324	5.33	34.29	•
0500	50	35	7.50	2-324	5.33	34.29	•
0520	52	41	4.20	2-223	3.53	40.87	
0550	55	44	4.20	2-224	3.53	44.04	
0600	60	49	4.20	2-225	3.53	47.22	
0630	63	52	4.20	2-226	3.53	50.39	•
0630	63	47.50	6.30	2-328	5.33	46.99	•
0630	63	48	7.50	2-328	5.33	46.99	•
0650	65	54	4.20	2-227	3.53	53.57	
0700	70	59	4.20	2-228	3.53	56.74	
0800	80	69	4.20	2-232	3.53	69.44	•
0800	80	64.50	6.30	2-333	5.33	62.87	•
0850	85	69.50	6.30	2-335	5.33	69.22	
0900	90	74.50	6.30	2-336	5.33	72.39	
0950	95	79.50	6.30	2-338	5.33	78.74	
1000	100	89	4.20	2-238	3.53	88.49	•
1000	100	84.50	6.30	2-339	5.33	81.92	•
1050	105	89.50	6.30	2-341	5.33	88.27	
1100	110	94.50	6.30	2-343	5.33	94.62	
1150	115	99.50	6.30	2-344	5.33	97.79	
1200	120	104.50	6.30	2-346	5.33	104.14	
1250	125	109.50	6.30	2-347	5.33	107.32	•
1250	125	104	8.10	6-392	6.99	99	•
1250	125	105	10	6-392	6.99	99	•
1300	130	114.50	6.30	2-349	5.33	113.67	
1350	135	114	8.10	2-425	6.99	113.67	
1400	140	119	8.10	2-426	6.99	116.84	
1450	145	124	8.10	2-428	6.99	123.19	
1500	150	129	8.10	2-429	6.99	126.37	
1550	155	134	8.10	2-431	6.99	132.72	
1600	160	144.50	6.30	2-358	5.33	142.24	•
1600	160	139	8.10	2-433	6.99	139.07	•
1600	160	135	12.50	2-431	6.99	132.72	•
1650	165	144	8.10	2-434	6.99	142.24	

¹⁾ ISO 7425-1

Further sizes on request.



For surface finish, lead in chamfer and other installation dimensions see „General installation guidelines“.

Size	Groove			No.	O-ring		ISO ¹⁾
	Ø D (mm)	Ø d (mm)	L (mm)		CS (mm)	ID (mm)	
1700	170	149	8.10	2-436	6.99	148.59	
1750	175	154	8.10	2-437	6.99	151.77	
1800	180	159	8.10	2-438	6.99	158.12	
1850	185	164	8.10	2-439	6.99	164.47	
1900	190	169	8.10	2-439	6.99	164.47	
1950	195	174	8.10	2-440	6.99	170.82	
2000	200	184.50	6.30	2-366	5.33	183.52	●
2000	200	179	8.10	2-441	6.99	177.17	●
2000	200	175	12.50	2-440	6.99	170.82	●
2100	210	189	8.10	2-442	6.99	183.52	
2200	220	199	8.10	2-444	6.99	196.22	
2300	230	209	8.10	2-445	6.99	202.57	
2400	240	219	8.10	2-446	6.99	215.27	
2500	250	229	8.10	2-447	6.99	227.97	●
2500	250	225.50	8.10	2-447	6.99	227.97	●
2600	260	239	8.10	2-447	6.99	227.97	
2700	270	249	8.10	2-448	6.99	240.67	
2800	280	259	8.10	2-449	6.99	253.37	
2900	290	269	8.10	2-450	6.99	266.07	
3000	300	279	8.10	2-451	6.99	278.77	
3100	310	289	8.10	2-451	6.99	278.77	
3200	320	299	8.10	2-452	6.99	291.47	●
3200	320	295.50	8.10	2-452	6.99	291.47	●
3300	330	305.50	8.10	2-453	6.99	304.17	
3400	340	315.50	8.10	2-453	6.99	304.17	
3500	350	325.50	8.10	2-454	6.99	316.87	
3600	360	335.50	8.10	2-455	6.99	329.57	
3700	370	345.50	8.10	2-456	6.99	342.27	
3800	380	355.50	8.10	2-457	6.99	354.97	
3900	390	365.50	8.10	2-457	6.99	354.97	

Size	Groove			No.	O-ring		ISO ¹⁾
	Ø D (mm)	Ø d (mm)	L (mm)		CS (mm)	ID (mm)	
4000	400	375.50	8.10	2-458	6.99	367.67	●
4000	400	370	12.50	6-672	10	364	●
4000	400	360	20	6-895	14	359	●
4100	410	385.50	8.10	2-459	6.99	380.37	
4200	420	395.50	8.10	2-460	6.99	393.07	
4300	430	405.50	8.10	2-461	6.99	405.26	
4400	440	415.50	8.10	2-461	6.99	405.26	
4500	450	425.50	8.10	2-462	6.99	417.96	
4600	460	435.50	8.10	2-463	6.99	430.66	
4700	470	445.50	8.10	2-464	6.99	443.36	
4800	480	455.50	8.10	2-465	6.99	456.06	
4900	490	465.50	8.10	2-465	6.99	456.06	
5000	500	475.50	8.10	2-466	6.99	468.76	●
5000	500	470	12.50	6-827	10	470	●
5200	520	495.50	8.10	2-468	6.99	494.16	
5500	550	525.50	8.10	2-469	6.99	506.86	
5700	570	545.50	8.10	2-470	6.99	532.26	
6000	600	575.50	8.10	2-471	6.99	557.66	
6200	620	595.50	8.10	2-472	6.99	582.68	
6400	640	615.50	8.10	2-473	6.99	608.08	
6500	650	622	9.50	-	8.40	635	
7000	700	672	9.50	-	8.40	660	
8000	800	772	9.50	-	8.40	770	
9000	900	872	9.50	-	8.40	888	

¹⁾ ISO 7425-1
Further sizes on request.



The double-acting OE piston sealing set featuring a Slipper Seal® design consists of a PTFE piston sealing ring and an elastomer O-ring as a preloading element. The seal design is intended for hydraulic applications. The symmetrical cross section of the sealing ring is designed for uniform return of drag oil during the stroke in both directions. The OE sealing set is particularly well suited for double-acting pistons in control cylinders, servo-controlled systems, machine tools and quick-acting cylinders.

Due to the material combination of the slide ring (PTFE) and O-ring (elastomer), this product is suitable for a wide range of applications, especially for aggressive media and/or high temperatures. For hydraulic applications, the piston sealing ring is preferably made from a bronze-filled PTFE compound in order to avoid reliable extrusion resistance. Alternatively, several compounds can be selected, depending on the specific applications profile.

- Good sealing performance in extremely small assembly conditions.
- Can also be used for single-acting applications.
- Excellent wear resistance.
- Minimal break-away and dynamic friction and no stick-slip tendency ensures uniform motion even at low speeds.
- Good energy efficiency due to low friction.
- Assembly on one-part piston is possible.
- Insensitive to pressure peaks.
- High temperature resistance assured by suitable O-ring compound selection.
- High extrusion resistance.
- Adaptable to nearly all media thanks to high chemical resistance of the sealing ring and large O-ring compound selection.
- Dimensions according to ISO 7425-1.
- Short axial assembly length.
- Installation in closed and undercut housings.
- Available in diameters from 4 to 4500 mm.
- Additional sizes of machined products available on short notice.

Range of application

Bei hohen Drücken.

Operating pressure	≤ 400 bar
in case of reduced extrusion gap (H7/f7) and large cross sections	≤ 600 bar
Operating temperature	-30 °C to +100 °C ¹⁾
Sliding speed	≤ 4 m/s

¹⁾With deviation from standard temperature range, please contact our consultancy service for adequate O-ring compound.

Compounds

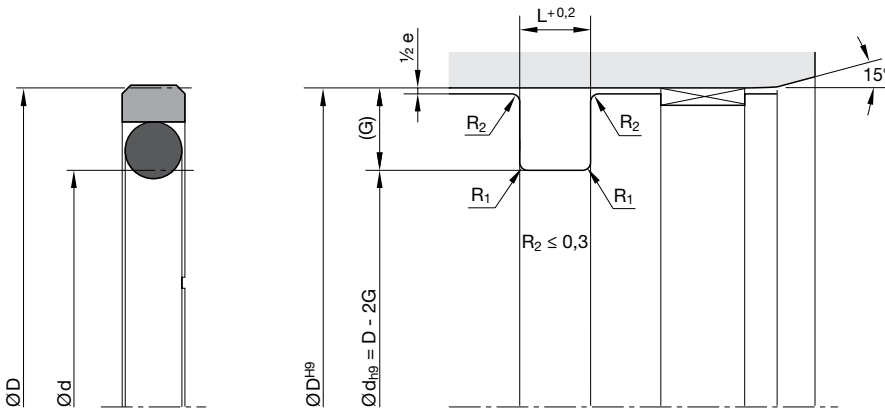
Sealing ring: Polon® 052, modified PTFE + 40 % bronze.

O-ring: N0674, NBR elastomer with approx. 70 Shore A.

Installation

This seal should only be used in combination with guiding elements (e.g. F3).

In case of special operating conditions (specific pressure loads, temperature, speed, use in water, HFA, HFB fluids etc.), please contact our consultancy service for a selection of the material and design best suiting your particular application requirements.

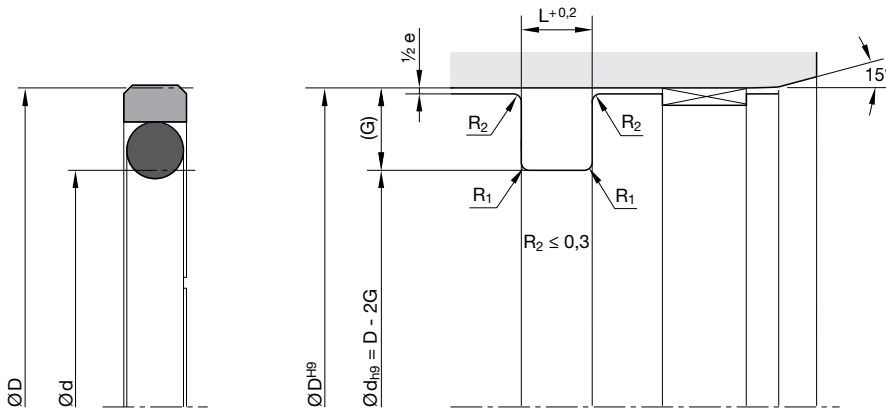


For surface finish, lead in chamfer and other installation dimensions see „General installation guidelines“.

Housing dimensions

Series no.	Cross-section	O-ring cross-section (mm)	Recommended piston Ø range		Groove width L (mm)	Groove depth G (mm)	Gap max. 0-200 bar		Gap max. 200-400 bar		Radius max. R ₁ (mm)	ISO ¹⁾
			≥ D (mm)	< D (mm)			e (mm)	e (mm)	e (mm)	e (mm)		
00210	A	1.78	8	15	2.2	2.45	0.6 - 0.4	0.4 - 0.2	0.5	•		
00210	B	2.62	15	40	3.2	3.75	0.8 - 0.5	0.5 - 0.3	0.5	•		
00210	C	3.53	40	80	4.2	5.50	0.8 - 0.5	0.5 - 0.3	0.5	•		
00210	D	5.33	80	133	6.3	7.75	1 - 0.6	0.6 - 0.4	0.9	•		
00210	E	6.99	133	330	8.1	10.50	1 - 0.6	0.6 - 0.4	0.9	•		
00210	F	6.99	330	670	8.1	12.25	1.2 - 0.7	0.7 - 0.5	0.9	•		
00210	G	8.4	670	1000	9.5	13.65	1.4 - 0.8	0.8 - 0.6	0.9	•		
00210	H	12	1000	-	13.8	19.0	1.4 - 0.8	0.8 - 0.6	0.9	•		
00210	K	1.78	8	15	2.2	2.5	0.6 - 0.4	0.4 - 0.2	0.5	•		
00210	L	2.62	15	40	3.2	3.75	0.8 - 0.5	0.5 - 0.3	0.5	•		
00210	M	3.53	40	80	4.2	5.5	0.8 - 0.5	0.5 - 0.3	0.5	•		
00210	N	3.53	40	80	5.0	5.0	0.8 - 0.5	0.5 - 0.3	0.5	•		
00210	O	5.33	80	133	6.3	7.75	1 - 0.6	0.6 - 0.4	0.9	•		
00210	P	5.33	80	133	7.5	7.5	1 - 0.6	0.6 - 0.4	0.9	•		
00210	Q	6.99	133	330	8.1	10.5	1 - 0.6	0.6 - 0.4	0.9	•		
00210	R	6.99	330	670	8.1	12.25	1.2 - 0.7	0.7 - 0.5	0.9	•		
00210	S	6.99	133	330	10.0	10.0	1.2 - 0.7	0.7 - 0.5	0.9	•		
00210	T	6.99	330	670	12.5	12.5	1.2 - 0.7	0.7 - 0.5	0.9	•		
00210	U	10.0	670	1000	12.5	15.0	1.4 - 0.8	0.8 - 0.6	0.9	•		
00210	V	10.0	670	1000	15.0	15.0	1.4 - 0.8	0.8 - 0.6	0.9	•		
00210	W	14.0	1000	-	20.0	20.0	1.4 - 0.8	0.8 - 0.6	0.9	•		

1) Housing dimensions according to ISO 7425-1



For surface finish, lead in chamfer and other installation dimensions see „General installation guidelines“.

Ordering example

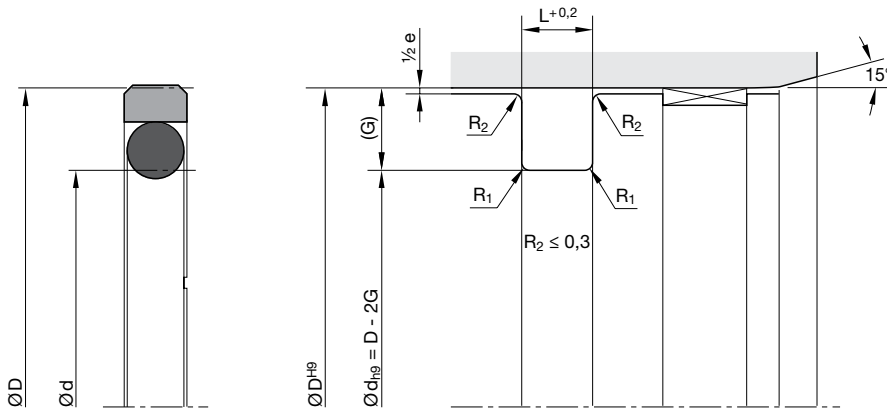
Piston diameter 80 mm

OE 0800 052 00211 D (80.0 x 64.5 x 6.3)

OE	Profile			
0800	Piston diameter × 10			
052	Compound			
00211	Series no. / compound code O-ring			
	00210	without O-ring		
	00211	N0674 (NBR)	70 ^{±5} Shore A	-30 / +110 °C
	00212	V0747 (FKM)	75 ^{±5} Shore A	-25 / +200 °C
	00213	N0756 (NBR)	75 ^{±5} Shore A	-50 / +110 °C
	00214	E0540 (EPDM)	80 ^{±5} Shore A	-40 / +150 °C
	00215	N3578 (NBR)	75 ^{±5} Shore A	-30 / +110 °C
	00216	N0552 (NBR)	90 ^{±5} Shore A	-30 / +100 °C
	00217	N1173 (HNBR)	70 ^{±5} Shore A	-30 / +150 °C
D	Cross-section			

Please note:

For certain applications, it might be convenient to use a non-standard cross-section reduced or heavier. In these cases, please replace the standard cross-section code (in above example: „D“) by the one you require (for example „C“ or „E“).



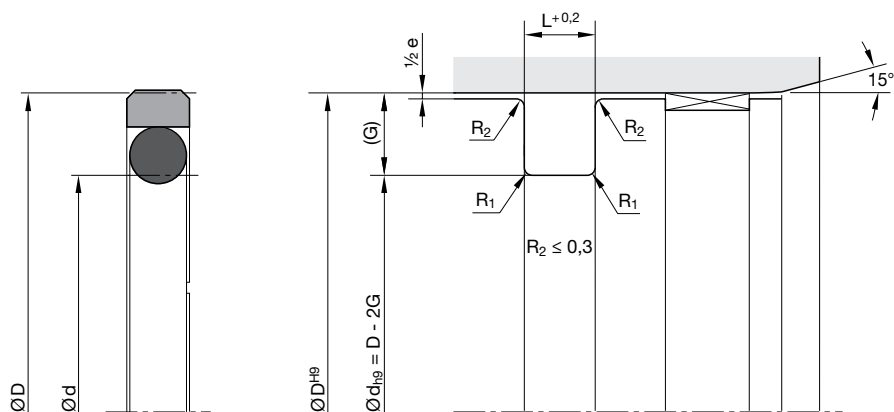
For surface finish, lead in chamfer and other installation dimensions see „General installation guidelines“.

Standard range

Size	Groove			No.	O-ring		ISO ¹⁾
	Ø D (mm)	Ø d (mm)	L (mm)		CS (mm)	ID (mm)	
0080	8	3.10	2.20	2-006	1.78	2.90	
0100	10	5.10	2.20	2-008	1.78	4.47	
0120	12	7.10	2.20	2-010	1.78	6.07	
0150	15	7.50	3.20	2-109	2.62	7.59	
0160	16	11	2.20	2-013	1.78	10.82	•
0160	16	8.50	3.20	2-109	2.62	7.59	•
0180	18	10.50	3.20	2-110	2.62	9.19	
0200	20	15	2.20	2-015	1.78	14	•
0200	20	12.50	3.20	2-111	2.62	10.77	•
0220	22	14.50	3.20	2-113	2.62	13.94	
0250	25	17.50	3.20	2-115	2.62	17.12	•
0250	25	14	4.20	2-207	3.53	13.87	•
0250	25	15	5	2-208	3.53	15.47	•
0280	28	20.50	3.20	2-116	2.62	18.72	
0300	30	22.50	3.20	2-118	2.62	21.89	
0320	32	24.50	3.20	2-119	2.62	23.47	•
0320	32	21	4.20	2-211	3.53	20.22	•
0320	32	22	5	2-212	3.53	21.82	•
0350	35	27.50	3.20	2-121	2.62	26.64	
0400	40	32.50	3.20	2-124	2.62	31.42	•
0400	40	29	4.20	2-216	3.53	28.17	•
0400	40	30	5	2-217	3.53	29.74	•
0420	42	31	4.20	2-217	3.53	29.74	
0450	45	34	4.20	2-219	3.53	32.92	
0480	48	37	4.20	2-221	3.53	36.09	
0500	50	39	4.20	2-222	3.53	37.69	•
0500	50	34.50	6.30	2-324	5.33	34.29	•
0500	50	35	7.50	2-324	5.33	34.29	•
0520	52	41	4.20	2-223	3.53	40.87	
0550	55	44	4.20	2-224	3.53	44.04	

Size	Groove			No.	O-ring		ISO ¹⁾
	Ø D (mm)	Ø d (mm)	L (mm)		CS (mm)	ID (mm)	
0600	60	49	4.20	2-225	3.53	47.22	
0630	63	52	4.20	2-226	3.53	50.39	•
0630	63	47.50	6.30	2-328	5.33	46.99	•
0630	63	48	7.50	2-328	5.33	46.99	•
0650	65	54	4.20	2-227	3.53	53.57	
0700	70	59	4.20	2-228	3.53	56.74	
0800	80	69	4.20	2-232	3.53	69.44	•
0800	80	64.50	6.30	2-333	5.33	62.87	•
0850	85	69.50	6.30	2-335	5.33	69.22	
0900	90	74.50	6.30	2-336	5.33	72.39	
0950	95	79.50	6.30	2-338	5.33	78.74	
1000	100	89	4.20	2-238	3.53	88.49	•
1000	100	84.50	6.30	2-339	5.33	81.92	•
1050	105	89.50	6.30	2-341	5.33	88.27	
1100	110	94.50	6.30	2-343	5.33	94.62	
1150	115	99.50	6.30	2-344	5.33	97.79	
1200	120	104.50	6.30	2-346	5.33	104.14	
1250	125	109.50	6.30	2-347	5.33	107.32	•
1250	125	104	8.10	6-392	6.99	99	•
1250	125	105	10	6-392	6.99	99	•
1300	130	114.50	6.30	2-349	5.33	113.67	
1350	135	114	8.10	2-425	6.99	113.67	
1400	140	119	8.10	2-426	6.99	116.84	
1450	145	124	8.10	2-428	6.99	123.19	
1500	150	129	8.10	2-429	6.99	126.37	
1550	155	134	8.10	2-431	6.99	132.72	
1600	160	144.50	6.30	2-358	5.33	142.24	•
1600	160	139	8.10	2-433	6.99	139.07	•
1600	160	135	12.50	2-431	6.99	132.72	•
1650	165	144	8.10	2-434	6.99	142.24	

¹⁾ ISO 7425-1
Further sizes on request.



For surface finish, lead in chamfer and other installation dimensions see „General installation guidelines“.

Size	Groove			No.	O-ring		ISO ¹⁾	Size	Groove			No.	O-ring		ISO ¹⁾
	Ø D (mm)	Ø d (mm)	L (mm)		CS (mm)	ID (mm)			Ø D (mm)	Ø d (mm)	L (mm)		CS (mm)	ID (mm)	
1700	170	149	8.10	2-436	6.99	148.59		4000	400	375.50	8.10	2-458	6.99	367.67	●
1750	175	154	8.10	2-437	6.99	151.77		4000	400	370	12.50	6-672	10	364	●
1800	180	159	8.10	2-438	6.99	158.12		4000	400	360	20	6-895	14	359	●
1850	185	164	8.10	2-439	6.99	164.47		4100	410	385.50	8.10	2-459	6.99	380.37	
1900	190	169	8.10	2-439	6.99	164.47		4200	420	395.50	8.10	2-460	6.99	393.07	
1950	195	174	8.10	2-440	6.99	170.82		4300	430	405.50	8.10	2-461	6.99	405.26	
2000	200	184.50	6.30	2-366	5.33	183.52	●	4400	440	415.50	8.10	2-461	6.99	405.26	
2000	200	179	8.10	2-441	6.99	177.17	●	4500	450	425.50	8.10	2-462	6.99	417.96	
2000	200	175	12.50	2-440	6.99	170.82	●	4600	460	435.50	8.10	2-463	6.99	430.66	
2100	210	189	8.10	2-442	6.99	183.52		4700	470	445.50	8.10	2-464	6.99	443.36	
2200	220	199	8.10	2-444	6.99	196.22		4800	480	455.50	8.10	2-465	6.99	456.06	
2300	230	209	8.10	2-445	6.99	202.57		4900	490	465.50	8.10	2-465	6.99	456.06	
2400	240	219	8.10	2-446	6.99	215.27		5000	500	475.50	8.10	2-466	6.99	468.76	●
2500	250	229	8.10	2-447	6.99	227.97	●	5000	500	470	12.50	6-827	10	470	●
2500	250	225.50	8.10	2-447	6.99	227.97	●	5200	520	495.50	8.10	2-468	6.99	494.16	
2600	260	239	8.10	2-447	6.99	227.97		5500	550	525.50	8.10	2-469	6.99	506.86	
2700	270	249	8.10	2-448	6.99	240.67		5700	570	545.50	8.10	2-470	6.99	532.26	
2800	280	259	8.10	2-449	6.99	253.37		6000	600	575.50	8.10	2-471	6.99	557.66	
2900	290	269	8.10	2-450	6.99	266.07		6200	620	595.50	8.10	2-472	6.99	582.68	
3000	300	279	8.10	2-451	6.99	278.77		6400	640	615.50	8.10	2-473	6.99	608.08	
3100	310	289	8.10	2-451	6.99	278.77		6500	650	622	9.50	-	8.40	635	
3200	320	299	8.10	2-452	6.99	291.47	●	7000	700	672	9.50	-	8.40	660	
3200	320	295.50	8.10	2-452	6.99	291.47	●	8000	800	772	9.50	-	8.40	770	
3300	330	305.50	8.10	2-453	6.99	304.17		9000	900	872	9.50	-	8.40	888	
3400	340	315.50	8.10	2-453	6.99	304.17									
3500	350	325.50	8.10	2-454	6.99	316.87									
3600	360	335.50	8.10	2-455	6.99	329.57									
3700	370	345.50	8.10	2-456	6.99	342.27									
3800	380	355.50	8.10	2-457	6.99	354.97									
3900	390	365.50	8.10	2-457	6.99	354.97									

¹⁾ ISO 7425-1

Further sizes on request.



The double-acting piston sealing set profile OT featuring a Slipper Seal® design stands out by its minimal break-away and dynamic friction and is therefore also suitable for low-lube conditions. The seal design enables fast reaction in reciprocating pressure loads.

The material combination of the slipper ring (PTFE) and the O-ring (elastomer) makes this product suitable for a wide range of applications, especially for aggressive media and/or high temperatures. Multiple compounds can alternatively be selected according to the individual application profile.

- Good sealing performance in extremely small assembly conditions.
- Can also be used for single-acting applications.
- Excellent wear resistance.
- Minimal break-away and dynamic friction and no stick-slip tendency ensures uniform motion even at low speeds.
- Good energy efficiency due to low friction.
- Assembly on one-part piston is possible.
- Insensitive to pressure peaks.
- High temperature resistance assured by suitable O-ring compound selection.
- High extrusion resistance.
- Adaptable to nearly all media thanks to high chemical resistance of the sealing ring and large O-ring compound selection.
- Dimensions according to ISO 7425-1.
- Short axial assembly length.
- Installation in closed and undercut housings.
- Available in diameters from 4 to 4500 mm.
- Additional sizes of machined products available on short notice.

Range of application

Wide range of applications, especially for aggressive media and/or high temperatures. The OT piston sealing set is particularly suitable for double-acting pistons in control cylinders, servo-controlled systems and machine tools.

Operating pressure	≤ 400 bar
in case of reduced extrusion gap (H7/f7) and large cross sections	≤ 600 bar
Operating temperature	-30 °C to +100 °C ¹⁾
Sliding speed	≤ 4 m/s

¹⁾ With deviation from standard temperature range, please contact our consultancy service for adequate O-ring compound.

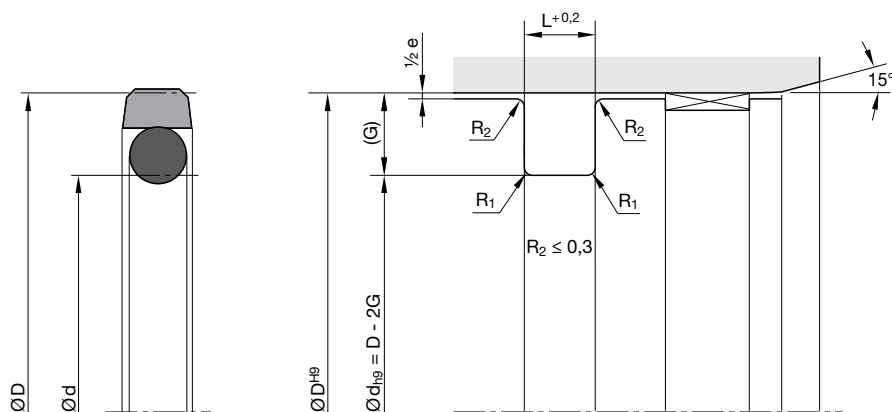
Compounds

Sealing ring: Polon® 052, modified PTFE + 40 % bronze.
O-ring: N0674, NBR elastomer with approx. 70 Shore A.

Installation

This seal should only be used in combination with guiding elements (e.g. F3).

In case of special operating conditions (specific pressure loads, temperature, speed, use in water, HFA, HFB fluids etc.), please contact our consultancy service for a selection of the material and design best suiting your particular application requirements.



For surface finish, lead in chamfer and other installation dimensions see „General installation guidelines“.

Housing dimensions

Series no.	Cross-section	O-ring cross-section (mm)	Recommended piston Ø range		Groove width L (mm)	Groove depth G (mm)	Gap max. 0-200 bar		Gap max. 200-400 bar		Radius R ₁ (mm)	ISO ¹⁾
			D (mm) ≥	D (mm) <			e (mm)	e (mm)				
00230	A	1.78	8	15	2.2	2.45	0.6 - 0.4	0.4 - 0.2	0.5			
00230	B	2.62	15	40	3.2	3.75	0.8 - 0.5	0.5 - 0.3	0.5	•		
00230	C	3.53	40	80	4.2	5.50	0.8 - 0.5	0.5 - 0.3	0.5	•		
00230	D	5.33	80	133	6.3	7.75	1.0 - 0.6	0.6 - 0.4	0.9	•		
00230	E	6.99	133	330	8.1	10.50	1.0 - 0.6	0.6 - 0.4	0.9	•		

Ordering example

Piston diameter 80 mm

OT 0800 052 00231 D (80.0 x 64.5 x 6.3)

OT Profile

0800 Piston diameter x 10

052 Compound

00231 Series no. / compound code O-ring

00230 none O-ring

00231 N0674 (NBR) 70^{±5} Shore A -30 / +110 °C

00232 V0747 (FKM) 75^{±5} Shore A -25 / +200 °C

00233 N0756 (NBR) 75^{±5} Shore A -50 / +110 °C

00244 E0540 (EPDM) 80^{±5} Shore A -40 / +150 °C

00235 N3578 (NBR) 75^{±5} Shore A -30 / +110 °C

00236 N0552 (NBR) 90^{±5} Shore A -30 / +100 °C

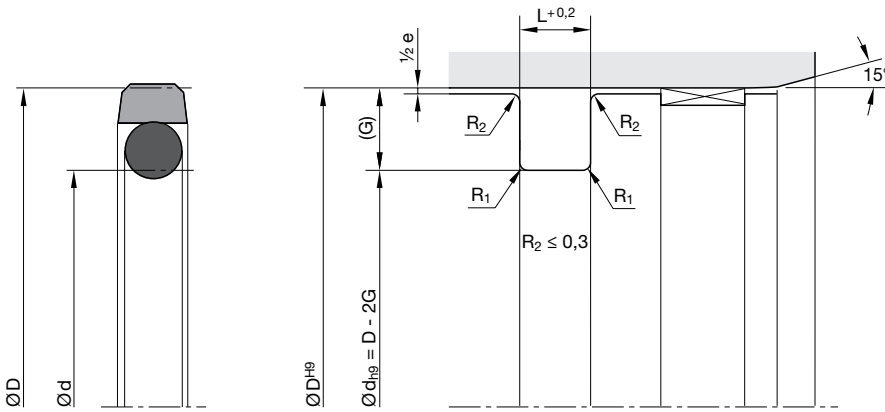
00237 N1173 (HNBR) 70^{±5} Shore A -30 / +150 °C

D Cross-section

Please note:

For certain applications, it might be convenient to use a non-standard cross-section reduced or heavier. In these cases, please replace the standard cross-section code (in above example: „D“) by the one you require (for example „C“ or „E“).

1) Housing dimensions according to ISO 7425-1



For surface finish, lead in chamfer and other installation dimensions see „General installation guidelines“.

Standard range

Size	Groove			No.	O-ring		ISO ¹⁾	Size	Groove			No.	O-ring		ISO ¹⁾
	Ø D (mm)	Ø d (mm)	L (mm)		CS (mm)	ID (mm)			Ø D (mm)	Ø d (mm)	L (mm)		CS (mm)	ID (mm)	
0080	8	3.10	2.20	2-006	1.78	2.90		1150	115	99.50	6.30	2-344	5.33	97.79	•
0100	10	5.10	2.20	2-008	1.78	4.47		1200	120	104.50	6.30	2-346	5.33	104.14	•
0120	12	7.10	2.20	2-010	1.78	6.07		1250	125	109.50	6.30	2-347	5.33	107.32	•
0160	16	8.50	3.20	2-109	2.62	7.59	•	1300	130	114.50	6.30	2-349	5.33	113.67	•
0180	18	10.50	3.20	2-110	2.62	9.19	•	1350	135	114	8.10	2-425	6.99	113.67	•
0200	20	12.50	3.20	2-111	2.62	10.77	•	1400	140	119	8.10	2-426	6.99	116.84	•
0220	22	14.50	3.20	2-113	2.62	13.94	•	1450	145	124	8.10	2-428	6.99	123.19	•
0250	25	17.50	3.20	2-115	2.62	17.12	•	1500	150	129	8.10	2-429	6.99	126.37	•
0280	28	20.50	3.20	2-116	2.62	18.72	•	1550	155	134	8.10	2-431	6.99	132.72	•
0300	30	22.50	3.20	2-118	2.62	21.89	•	1600	160	139	8.10	2-433	6.99	139.07	•
0320	32	24.50	3.20	2-119	2.62	23.47	•	1650	165	144	8.10	2-434	6.99	142.24	•
0360	36	28.50	3.20	2-122	2.62	28.24	•	1700	170	149	8.10	2-436	6.99	148.59	•
0400	40	29	4.20	2-216	3.53	28.17	•	1750	175	154	8.10	2-437	6.99	151.77	•
0420	42	31	4.20	2-217	3.53	29.74	•	1800	180	159	8.10	2-438	6.99	158.12	•
0450	45	34	4.20	2-219	3.53	32.92	•	1850	185	164	8.10	2-439	6.99	164.47	•
0480	48	37	4.20	2-221	3.53	36.09	•	1900	190	169	8.10	2-439	6.99	164.47	•
0500	50	39	4.20	2-222	3.53	37.69	•	1950	195	174	8.10	2-440	6.99	170.82	•
0520	52	41	4.20	2-223	3.53	40.87	•	2000	200	179	8.10	2-441	6.99	177.17	•
0550	55	44	4.20	2-224	3.53	44.04	•	2100	210	189	8.10	2-442	6.99	183.52	•
0600	60	49	4.20	2-225	3.53	47.22	•	2200	220	199	8.10	2-444	6.99	196.22	•
0630	63	52	4.20	2-226	3.53	50.39	•	2300	230	209	8.10	2-445	6.99	202.57	•
0650	65	54	4.20	2-227	3.53	53.57	•	2400	240	219	8.10	2-446	6.99	215.27	•
0700	70	59	4.20	2-228	3.53	56.74	•	2500	250	229	8.10	2-447	6.99	227.97	•
0800	80	64.50	6.30	2-333	5.33	62.87	•	2600	260	239	8.10	2-447	6.99	227.97	•
0850	85	69.50	6.30	2-335	5.33	69.22	•	2700	270	249	8.10	2-448	6.99	240.67	•
0900	90	74.50	6.30	2-336	5.33	72.39	•	2800	280	259	8.10	2-449	6.99	253.37	•
0950	95	79.50	6.30	2-338	5.33	78.74	•	2900	290	269	8.10	2-450	6.99	266.07	•
1000	100	84.50	6.30	2-339	5.33	81.92	•	3000	300	279	8.10	2-451	6.99	278.77	•
1050	105	89.50	6.30	2-341	5.33	88.27	•	3100	310	289	8.10	2-451	6.99	278.77	•
1100	110	94.50	6.30	2-343	5.33	94.62	•	3200	320	299	8.10	2-452	6.99	291.47	•

¹⁾ ISO 7425-1
Further sizes on request.



The double-acting CP sealing set featuring a Caveseal design consists of a PTFE slide ring and an elastomer O-ring as a preloading element. The sealing set is suitable for dynamic applications as an alternative to an O-ring in situations requiring optimum sealing performance and friction. The Caveseal design enables smallest grooves. Due to the material combination of the slide ring (PTFE) and the O-ring (elastomer), this product is suitable for a wide range of applications, especially for aggressive media and/or high temperatures. An extensive selection of compounds is available for specific application profiles.

- Good sealing performance in extremely small assembly conditions.
- Excellent wear resistance.
- Minimal break-away and dynamic friction and no stick-slip tendency ensures uniform motion even at low speeds.
- Good energy efficiency due to low friction.
- Assembly on one-part piston is possible.
- High temperature resistance assured by suitable O-ring compound selection.
- Adaptable to nearly all media thanks to high chemical resistance of the sealing ring and large O-ring compound selection.
- Short axial assembly length.
- Short radial assembly depth.
- Installation in closed and undercut housings.
- Available in diameters from 4 to 4500 mm.
- Can be used in existing O-ring grooves.
- Additional sizes of machined products available on short notice.

Range of application

The CP profile range has been designed exclusively to replace standard O-rings. For dynamic applications we recommend our OA (pneumatics) or OE (hydraulics) profile ranges.

Operating pressure	≤ 160 bar
Operating temperature	-30 °C to +100 °C ¹⁾
Sliding speed	≤ 4 m/s

¹⁾With deviation from standard temperature range, please contact our consultancy service for adequate O-ring compound.

Compounds

Sealing ring: Polon® 012, modified PTFE.

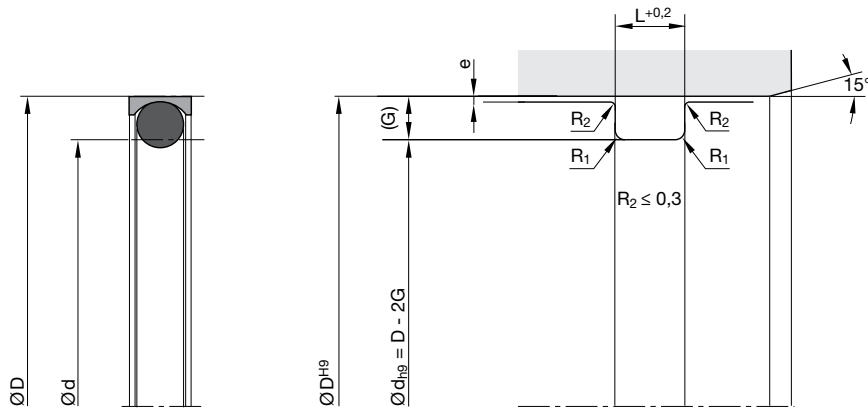
O-ring: N0674, NBR elastomer with approx. 70 Shore A.

Installation

Concerning design modifications of the groove, please contact our Consultancy Service.

Please apply this seal only in combination with guiding elements (e.g. F3).

In case of special operating conditions (specific pressure loads, temperature, speed, use in water, HFA, HFB fluids etc.), please contact our consultancy service for a selection of the material and design best suiting your particular application requirements.



For surface finish, lead in chamfer and other installation dimensions see „General installation guidelines“.

Housing dimensions

Series no.	Cross-section	O-ring cross-section (mm)	Recommended piston Ø range		Groove width L (mm)	Groove depth G (mm)	Gap max. e (mm)	Radius max. R ₁ (mm)
			D (mm) ≥	<				
08400	A	1.78	8	14	2.4	1.45	0.15	0.5
08400	B	2.62	14	25	3.6	2.25	0.2	0.5
08400	C	3.53	25	46	4.8	3.10	0.2	0.5
08400	D	5.33	46	125	7.1	4.70	0.25	0.9
08400	E	6.99	125	400	9.5	6.10	0.3	0.9

Ordering example

Piston diameter 80 mm

CP 0800 012 08401 D (80 × 70.6 × 7.1)

CP Profile

0800 Piston diameter × 10

PS012 Compound

08401 Series no. / compound code O-ring

08400 without O-ring

08401 N0674 (NBR) 70^{±5} Shore A -30 / +110 °C

08402 V0747 (FKM) 75^{±5} Shore A -25 / +200 °C

08403 N0756 (NBR) 75^{±5} Shore A -50 / +110 °C

08404 E0540 (EPDM) 80^{±5} Shore A -40 / +150 °C

08405 N3578 (NBR) 75^{±5} Shore A -30 / +110 °C

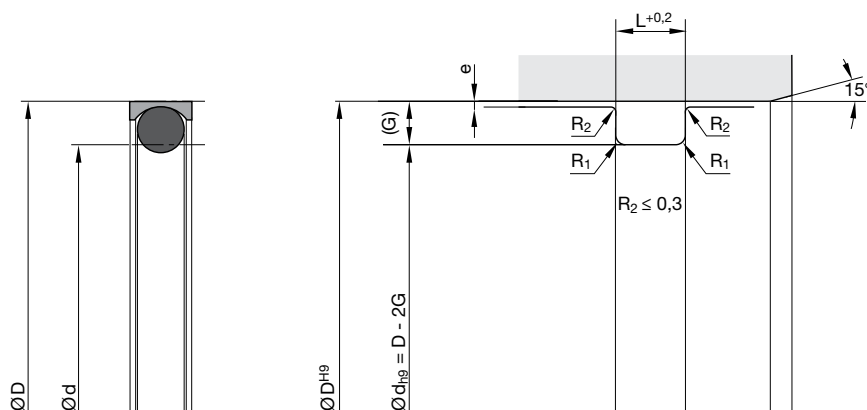
08406 N0552 (NBR) 90^{±5} Shore A -30 / +100 °C

08407 N1173 (HNBR) 70^{±5} Shore A -30 / +150 °C

D Cross-section

Please note:

For certain applications, it might be convenient to use a non-standard cross-section reduced or heavier. In these cases, please replace the standard cross-section code (in above example: „D“) by the one you require (for example „C“ or „E“).

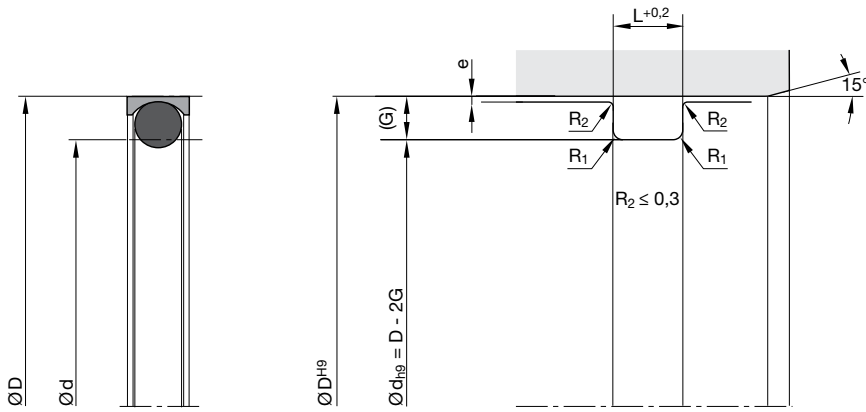


For surface finish, lead in chamfer and other installation dimensions see „General installation guidelines“.

Standard range

Size	Groove			No.	O-ring		Size	Groove			No.	O-ring	
	Ø D (mm)	Ø d (mm)	L (mm)		CS (mm)	ID (mm)		Ø D (mm)	Ø d (mm)	L (mm)		CS (mm)	ID (mm)
0080	8	5.10	2.40	2-008	1.78	4.47	0900	90	80.60	7.10	2-338	5.33	78.74
0100	10	7.10	2.40	2-010	1.78	6.07	0950	95	85.60	7.10	2-340	5.33	85.09
0120	12	9.10	2.40	2-011	1.78	7.65	1000	100	90.60	7.10	2-341	5.33	88.27
0150	15	10.50	3.60	2-110	2.62	9.19	1050	105	95.60	7.10	2-343	5.33	94.62
0160	16	11.50	3.60	2-111	2.62	10.77	1100	110	100.60	7.10	2-344	5.33	97.79
0180	18	13.50	3.60	2-112	2.62	12.37	1150	115	105.60	7.10	2-346	5.33	104.14
0200	20	15.50	3.60	2-114	2.62	15.54	1200	120	110.60	7.10	2-348	5.33	110.49
0220	22	17.50	3.60	2-115	2.62	17.12	1250	125	112.80	9.50	2-425	6.99	113.67
0240	24	19.50	3.60	2-116	2.62	18.72	1300	130	117.80	9.50	2-426	6.99	116.84
0250	25	18.80	4.80	2-209	3.53	17.04	1350	135	122.80	9.50	2-427	6.99	120.02
0254	25.40	19.20	4.80	2-210	3.53	18.64	1400	140	127.80	9.50	2-429	6.99	126.37
0280	28	21.80	4.80	2-212	3.53	21.82	1450	145	132.80	9.50	2-430	6.99	129.54
0300	30	23.80	4.80	2-213	3.53	23.39	1500	150	137.80	9.50	2-432	6.99	135.89
0320	32	25.80	4.80	2-214	3.53	24.99	1550	155	142.80	9.50	2-433	6.99	133.97
0350	35	28.80	4.80	2-216	3.53	28.17	1600	160	147.80	9.50	2-435	6.99	145.42
0400	40	33.80	4.80	2-219	3.53	32.92	1650	165	152.80	9.50	2-437	6.99	151.77
0420	42	35.80	4.80	2-220	3.53	34.52	1700	170	157.80	9.50	2-437	6.99	151.77
0450	45	38.80	4.80	2-222	3.53	37.69	1750	175	162.80	9.50	2-438	6.99	158.12
0480	48	38.60	7.10	2-325	5.33	37.47	1800	180	167.80	9.50	2-439	6.99	164.47
0500	50	40.60	7.10	2-326	5.33	40.64	1900	190	177.80	9.50	2-441	6.99	177.17
0508	50.80	41.40	7.10	2-326	5.33	40.64	2000	200	187.80	9.50	2-442	6.99	183.52
0520	52	42.60	7.10	2-326	5.33	40.64	2100	210	197.80	9.50	2-444	6.99	196.22
0550	55	45.60	7.10	2-327	5.33	43.82	2200	220	207.80	9.50	2-445	6.99	202.57
0600	60	50.60	7.10	2-329	5.33	50.17	2300	230	217.80	9.50	2-446	6.99	215.27
0630	63	53.60	7.10	2-330	5.33	53.34	2400	240	227.80	9.50	2-447	6.99	227.97
0650	65	55.60	7.10	2-330	5.33	53.34	2500	250	237.80	9.50	2-447	6.99	227.97
0700	70	60.60	7.10	2-332	5.33	59.69	2600	260	247.80	9.50	2-448	6.99	240.67
0750	75	65.60	7.10	2-333	5.33	62.87	2700	270	257.80	9.50	2-449	6.99	253.37
0800	80	70.60	7.10	2-335	5.33	69.22	2800	280	267.80	9.50	2-450	6.99	266.07
0850	85	75.60	7.10	2-337	5.33	75.57	2900	290	277.80	9.50	2-450	6.99	266.07

Further sizes on request.



For surface finish, lead in chamfer and other installation dimensions see „General installation guidelines“.

Size	Groove			O-ring		
	Ø D (mm)	Ø d (mm)	L (mm)	No.	CS (mm)	ID (mm)
3000	300	287.80	9.50	2-451	6.99	278.77
3100	310	297.80	9.50	2-452	6.99	291.47
3200	320	307.80	9.50	2-453	6.99	304.17
3300	330	317.80	9.50	2-454	6.99	316.87
3400	340	327.80	9.50	2-454	6.99	316.87
3500	350	337.80	9.50	2-455	6.99	329.57
3600	360	347.80	9.50	2-456	6.99	342.27
3700	370	357.80	9.50	2-457	6.99	354.97
3800	380	367.80	9.50	2-458	6.99	367.67
3900	390	377.80	9.50	2-458	6.99	367.67
4000	400	387.80	9.50	2-459	6.99	380.37

Further sizes on request.



The function of wiper rings is to prevent dust, dirt, grains of sand and metal swarf from penetrating into axially moving rods and plungers. Thus the development of scratches is largely prevented, guiding elements and seals are protected and the working life of the sealing system is extended.

Profile AT consists of a PTFE wiper ring and an elastomer O-ring as a preloading element.

The material combination of the slipper ring (PTFE) and the O-ring (elastomer) makes this product suitable for a wide range of applications, especially for aggressive media and/or high temperatures. Multiple compounds can alternatively be selected according to the individual application profile.

- Excellent wear resistance.
- Minimal break-away and dynamic friction and no stick-slip tendency ensures uniform motion even at low speeds.
- Good energy efficiency due to low friction.
- High temperature resistance assured by suitable O-ring compound selection.
- Adaptable to nearly all media thanks to high chemical resistance of the sealing ring and large O-ring compound selection.
- Dimensions according to DIN ISO 6195, Type D.
- Installation in closed and undercut housings.
- Available in diameters from 4 to 4500 mm.
- Additional sizes of machined products available on short notice.

Range of application

Operating temperature	-30 °C to +100 °C ¹⁾
Sliding speed	≤ 4 m/s

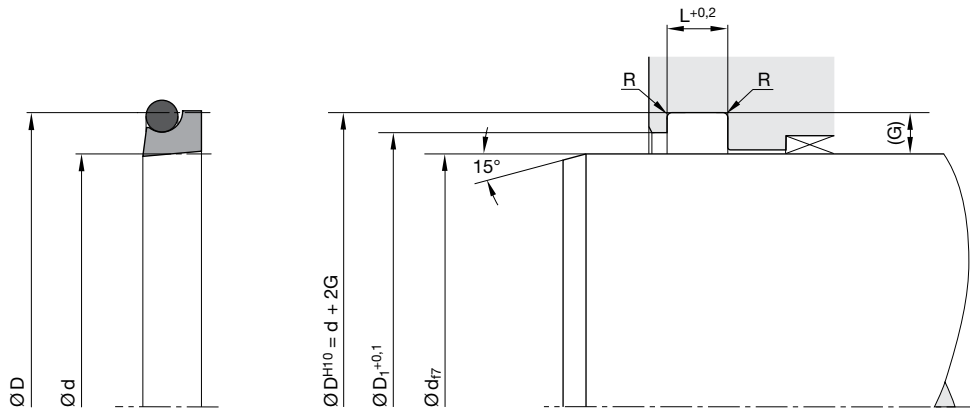
¹⁾ With deviation from standard temperature range, please contact our consultancy service for adequate O-ring compound.

Compounds

Wiper ring: Polon® 012, modified PTFE.

O-ring: N0674, NBR elastomer with approx. 70 Shore A.

In case of special operating conditions (specific pressure loads, temperature, speed, use in water, HFA, HFB fluids etc.), please contact our consultancy service for a selection of the material and design best suiting your particular application requirements.



For surface finish, lead in chamfer and other installation dimensions see „General installation guidelines“.

Housing dimensions

Series no.	Cross-section	O-ring cross-section (mm)	Recommended rod Ø range		Groove width L (mm)	Groove depth G (mm)	Ø Retainer ring D ₁ (mm)	Radius max. R (mm)	ISO ¹⁾
			≥ d (mm)	<					
00580	A	1.78	6	12	3.7	2.4	d + 2.7	0.4	•
00580	B	2.62	12	65	5	3.4	d + 3.5	0.4	•
00580	C	3.53	65	250	6	4.4	d + 4.0	0.4	
00580	D	5.33	250	420	8.4	6.1	d + 4.5	0.4	
00580	E	6.99	420	650	11	8.00	d + 5.2	0.4	
00580	G	8.40	650	1000	14	10.00	d + 6.6	0.4	

Ordering example

Rod diameter 80 mm

AT 0800 012 00581 C (80 × 88.8 × 6)

AT Profile

0800 Rod diameter x 10

012 Compound

00581 Series no. / compound code O-ring

00580 without O-ring

00581 N0674 (NBR) 70^{±5} Shore A -30 / +110 °C

00582 V0747 (FKM) 75^{±5} Shore A -25 / +200 °C

00583 N0756 (NBR) 75^{±5} Shore A -50 / +110 °C

00584 E0540 (EPDM) 80^{±5} Shore A -40 / +150 °C

00585 N3578 (NBR) 75^{±5} Shore A -30 / +110 °C

00586 N0552 (NBR) 90^{±5} Shore A -30 / +100 °C

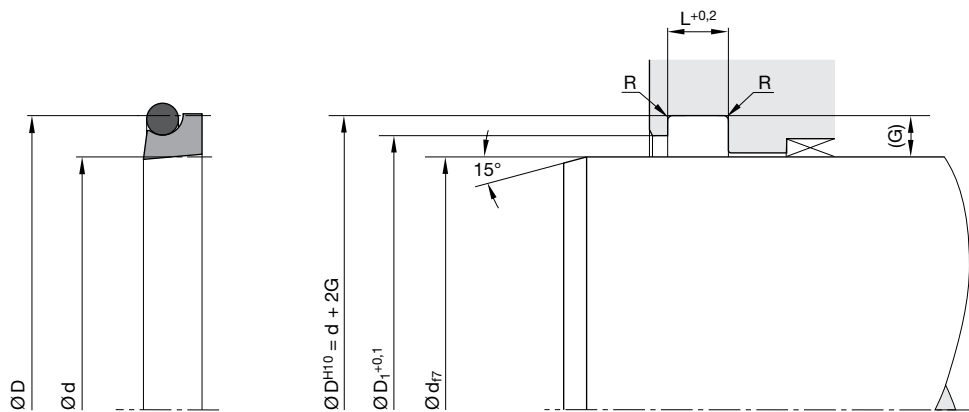
00587 N1173 (HNBR) 70^{±5} Shore A -30 / +150 °C

C Cross-section

Please note:

For certain applications, it might be convenient to use a non-standard cross-section reduced or heavier. In these cases, please replace the standard cross-section code (in above example: „C“) by the one you require (for example „B“ or „D“).

1) Housing dimensions according to DIN ISO 6195, Type D.

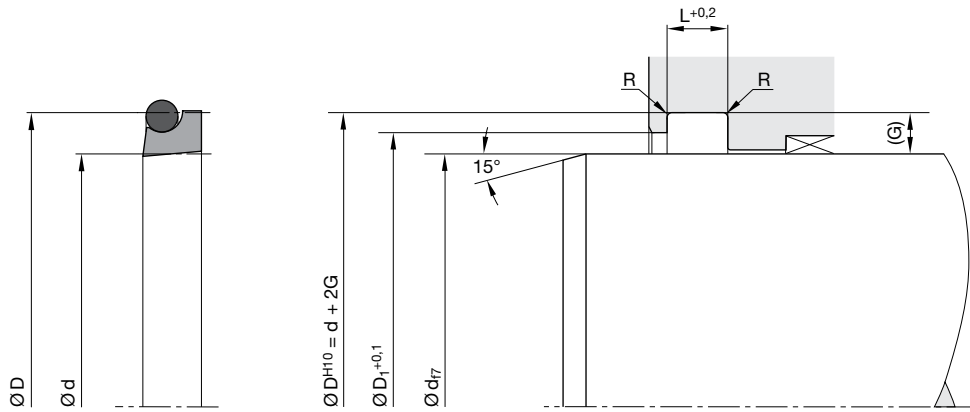


For surface finish, lead in chamfer and other installation dimensions see „General installation guidelines“.

Standard range

Size	Groove				O-ring			ISO ¹⁾	Size	Groove				O-ring			ISO ¹⁾
	Ø d (mm)	Ø D (mm)	Ø D ₁ (mm)	L (mm)	No.	CS (mm)	ID (mm)			Ø d (mm)	Ø D (mm)	Ø D ₁ (mm)	L (mm)	No.	CS (mm)	ID (mm)	
0040	4	8.80	6.70	3.70	2-009	1.78	5.28	•	1000	100	108.80	104	6	2-242	3.53	101.19	•
0050	5	9.80	7.70	3.70	2-010	1.78	6.07	•	1100	110	118.80	114	6	2-245	3.53	110.72	•
0080	8	12.80	10.70	3.70	2-012	1.78	9.25	•	1200	120	128.80	124	6	2-249	3.53	123.42	•
0100	10	14.80	12.70	3.70	2-013	1.78	10.82	•	1250	125	133.80	129	6	2-250	3.53	126.59	•
0120	12	18.80	15.50	5	2-113	2.62	13.94	•	1300	130	138.80	134	6	2-252	3.53	132.94	•
0140	14	20.80	17.50	5	2-114	2.62	15.54	•	1400	140	148.80	144	6	2-255	3.53	142.47	•
0150	15	21.80	18.50	5	2-115	2.62	17.12	•	1500	150	158.80	154	6	2-258	3.53	151.99	•
0180	18	24.80	21.50	5	2-117	2.62	20.29	•	1600	160	168.80	164	6	2-260	3.53	164.69	•
0200	20	26.80	23.50	5	2-118	2.62	21.89	•	1700	170	178.80	174	6	2-261	3.53	171.04	•
0240	24	30.80	27.50	5	2-120	2.62	25.07	•	1750	175	183.80	179	6	2-262	3.53	177.39	•
0250	25	31.80	28.50	5	2-121	2.62	26.64	•	1800	180	188.80	184	6	2-263	3.53	183.74	•
0280	28	34.80	31.50	5	2-123	2.62	29.82	•	1900	190	198.80	194	6	2-264	3.53	190.09	•
0300	30	36.80	33.50	5	2-124	2.62	31.42	•	1950	195	203.80	199	6	2-265	3.53	196.44	•
0320	32	38.80	35.50	5	2-126	2.62	34.59	•	2000	200	208.80	204	6	2-266	3.53	202.79	•
0350	35	41.80	38.50	5	2-127	2.62	36.17	•	2100	210	218.80	214	6	2-267	3.53	209.14	•
0380	38	44.80	41.50	5	2-130	2.62	40.94	•	2200	220	228.80	224	6	2-269	3.53	221.84	•
0400	40	46.80	43.50	5	2-131	2.62	42.52	•	2300	230	238.80	234	6	2-271	3.53	234.54	•
0420	42	48.80	45.50	5	2-132	2.62	44.12	•	2400	240	248.80	244	6	2-272	3.53	240.89	•
0450	45	51.80	48.50	5	2-134	2.62	47.29	•	2500	250	258.80	254	6	2-274	3.53	253.59	•
0480	48	54.80	51.50	5	2-136	2.62	50.47	•	2600	260	272.20	264.50	8.40	2-378	5.33	266.07	•
0500	50	56.80	53.50	5	2-137	2.62	52.07	•	2700	270	282.20	274.50	8.40	2-379	5.33	278.77	•
0550	55	61.80	58.50	5	2-140	2.62	56.82	•	2800	280	292.20	284.50	8.40	2-379	5.33	278.77	•
0600	60	66.80	63.50	5	2-143	2.62	61.60	•	2900	290	302.20	294.50	8.40	2-380	5.33	291.47	•
0650	65	73.80	69	6	2-231	3.53	66.27	•	3000	300	312.20	304.50	8.40	2-381	5.33	304.17	•
0700	70	78.80	74	6	2-233	3.53	72.62	•	3100	310	322.20	314.50	8.40	2-381	5.33	304.17	•
0750	75	83.80	79	6	2-234	3.53	75.79	•	3200	320	332.20	324.50	8.40	2-382	5.33	329.57	•
0800	80	88.80	84	6	2-236	3.53	82.14	•	3300	330	342.20	334.50	8.40	2-382	5.33	329.57	•
0850	85	93.80	89	6	2-237	3.53	85.32	•	3400	340	352.20	344.50	8.40	2-382	5.33	329.57	•
0900	90	98.80	94	6	2-239	3.53	91.67	•	3500	350	362.20	354.50	8.40	2-383	5.33	354.97	•
950	95	103.80	99	6	2-241	3.53	98.02	•	3600	360	372.20	364.50	8.40	2-383	5.33	354.97	•

1) DIN ISO 6195, Type D
Further sizes on request.



For surface finish, lead in chamfer and other installation dimensions see „General installation guidelines“.

Size	Groove				O-ring		ISO ¹⁾
	Ø d (mm)	Ø D (mm)	Ø D ₁ (mm)	L (mm)	No.	CS (mm)	
3700	370	382.20	374.50	8.40	2-383	5.33	354.97
3800	380	392.20	384.50	8.40	2-384	5.33	380.37
3900	390	402.20	394.50	11	2-384	5.33	380.37
4000	400	412.20	404.50	8.40	2-385	5.33	405.26
4100	410	422.20	414.50	8.40	2-385	5.33	405.26
4200	420	432.20	424.50	8.40	2-386	5.33	430.66
4300	430	446	435.20	11	2-463	6.99	430.66
4400	440	456	445.20	11	2-464	6.99	443.38
4500	450	466	455.20	11	2-465	6.99	456.03
4600	460	476	465.20	11	2-466	6.99	468.76
4700	470	486	475.20	11	2-466	6.99	468.76
4800	480	496	485.20	11	2-467	6.99	481.46
4900	490	506	495.20	11	2-468	6.99	494.16
5000	500	516	502.50	11	2-469	6.99	506.86
5200	520	536	522.50	11	2-470	6.99	532.26
5500	550	566	552.50	11	2-471	6.99	557.66
5700	570	586	572.50	11	2-472	6.99	582.68
6000	600	616	602.50	11	2-473	6.99	608.08
6200	620	636	622.50	11	2-474	6.99	633.48
6400	640	656	642.50	11	2-475	6.99	658.88
6500	650	670	652.50	14	-	8.40	660
7000	700	720	702.50	14	-	8.40	695
8000	800	820	802.50	14	-	8.40	800
9000	900	920	902.50	14	-	8.40	888

1) DIN ISO 6195, Type D
Further sizes on request.



The AD double wiper featuring a Slipper Seal® design consists of a PTFE slide ring for the wiper function and an elastomer O-ring as a preloading element. It combines two functions: wiping against external contamination and a sealing function that reduces the residual oil film. The AD wiper is characterized by low break-away and sliding friction and can therefore be used in low-lube conditions as well.

Due to the material combination of the slide ring (PTFE) and the O-ring (elastomer), this product is suitable for a wide range of applications, especially for aggressive media and/or high temperatures. Several compounds can alternatively be selected according to the specific application profile.

Wiper rings serve to safeguard axially movable rods and pistons against ingress of dust, dirt, sand and swarf, thus protecting the guiding elements and seals and extending the service life of the sealing system.

- Excellent wear resistance.
- Minimal break-away and dynamic friction and no stick-slip tendency ensures uniform motion even at low speeds.
- Good energy efficiency due to low friction.
- High temperature resistance assured by suitable O-ring compound selection.
- Adaptable to nearly all media thanks to high chemical resistance of the sealing ring and large O-ring compound selection.
- Dimensions according to DIN ISO 6195, Type C or Type D.
- Available in diameters from 4 to 4500 mm.
- Installation in closed and undercut housings.

Range of application

The AD product series is suitable for a wide range of applications, especially for aggressive media and/or high temperatures.

Operating temperature	-30 °C to +100 °C ¹⁾
with FKM O-ring	-30 °C to +200 °C
Sliding speed	≤ 4 m/s

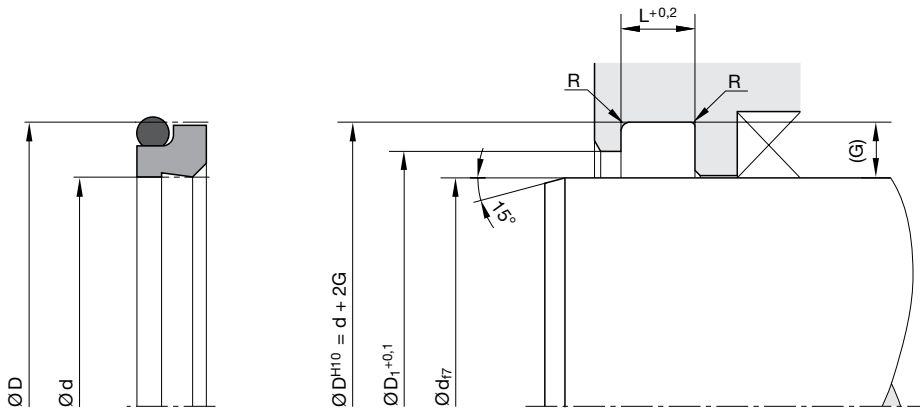
¹⁾With deviation from standard temperature range, please contact our consultancy service for adequate O-ring compound.

Compounds

Wiper ring: Polon® 052, modified PTFE with 40 % bronze.

O-ring: N0674, NBR elastomer with approx. 70 Shore A.

In case of special operating conditions (specific pressure loads, temperature, speed, use in water, HFA, HFB fluids etc.), please contact our consultancy service for a selection of the material and design best suiting your particular application requirements.



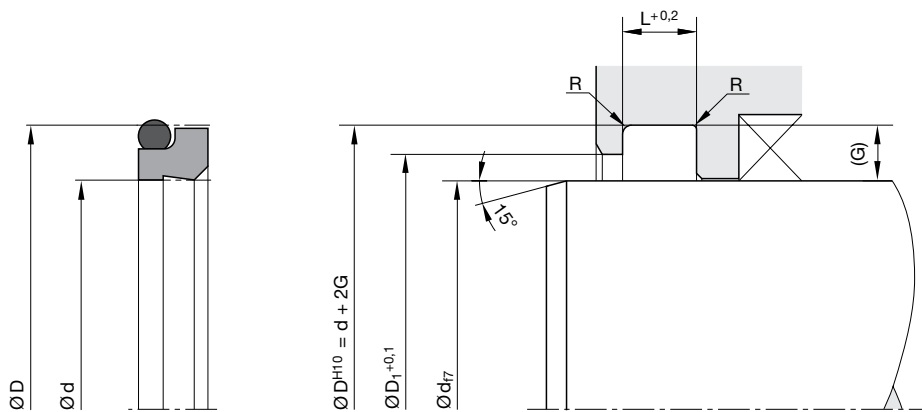
For surface finish, lead in chamfer and other installation dimensions see „General installation guidelines“.

Housing dimensions

Series no.	Cross-section	O-ring cross-section (mm)	Recommended rod Ø range		Groove width L (mm)	Groove depth G (mm)	Ø Retainer ring D ₁ (mm)	Radius max. R (mm)	ISO ¹⁾	ISO ²⁾
			≥ d (mm)	< d (mm)						
00590	A	1.78	6	12	3.7	2.40	d + 1.5	0.4	•	
00590	B	2.62	12	65	5.0	3.40	d + 1.5	0.4	•	
00590	C	3.53	65	250	6.0	4.40	d + 2.0	0.4		
00590	D	5.33	250	420	8.4	6.10	d + 2.0	0.4		
00590	E	6.99	420	650	11.0	8.00	d + 2.5	0.4		
00590	G	8.40	650	1000	14.0	10.00	d + 2.5	0.4		
00590	K	1.78	6	25	4.0	3.00	d + 2.5	0.4		•
00590	L	2.62	28	50	5.0	4.00	d + 3.0	0.4		•
00590	M	3.53	56	100	6.0	5.00	d + 3.0	0.4		•
00590	N	5.33	110	200	8.5	7.50	d + 4.0	0.4		•
00590	O	6.99	220	360	12.0	10.00	d + 6.0	0.4		•

1) Housing dimensions according to DIN ISO 6195, Type D.

2) Housing dimensions according to DIN ISO 6195, Type C.



For surface finish, lead in chamfer and other installation dimensions see „General installation guidelines“.

Ordering example

Rod diameter 40 mm

AD 0400 052 00591 B (40 × 46.8 × 5)

AD Profile

0400 Rod diameter × 10

052 Compound

00591 Series no. / compound code O-ring

00590 without O-ring

00591 N0674 (NBR) 70^{±5} Shore A -30 / +110°C

00592 V0747 (FKM) 75^{±5} Shore A -25 / +200°C

00593 N3575 (NBR) 75^{±5} Shore A -50 / +110°C

00594 E0540 (EPDM) 80^{±5} Shore A -40 / +150°C

00595 N3578 (NBR) 75^{±5} Shore A -30 / +110°C

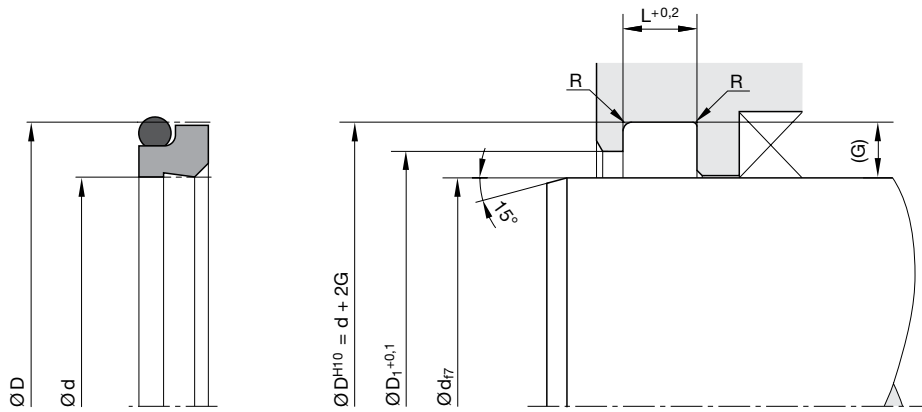
00596 N0552 (NBR) 90^{±5} Shore A -30 / +100°C

00597 N1173 (HNBR) 70^{±5} Shore A -30 / +150°C

B Cross-section

Please note:

For certain applications, it might be convenient to use a non-standard cross-section reduced or heavier. In these cases, please replace the standard cross-section code (in above example: „B“) by the one you require (for example „A“ or „C“).

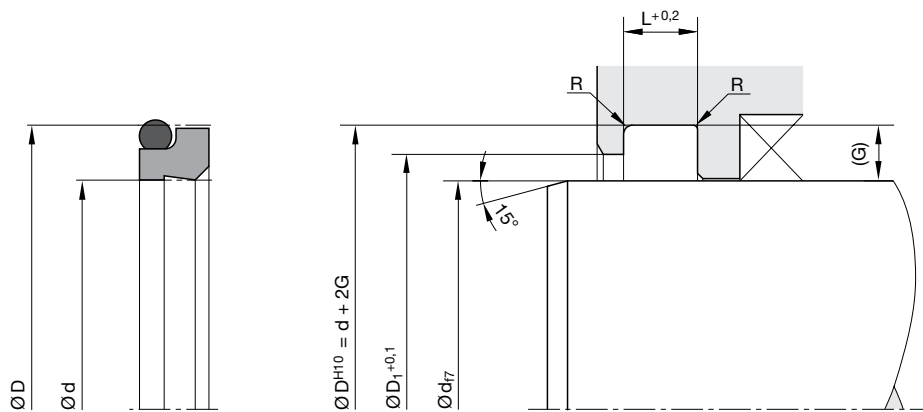


For surface finish, lead in chamfer and other installation dimensions see „General installation guidelines“.

Standard range

Size	Groove				No.	O-ring		ISO ¹⁾
	Ø d (mm)	Ø D (mm)	Ø D ₁ (mm)	L (mm)		CS (mm)	ID (mm)	
0040	4	8.80	5.50	3.70	2-009	1.78	5.28	•
0050	5	9.80	6.50	3.70	2-010	1.78	6.07	•
0070	7	11.80	8.50	3.70	2-011	1.78	7.65	
0080	8	12.80	9.50	3.70	2-012	1.78	9.25	•
0100	10	14.80	11.50	3.70	2-013	1.78	10.82	•
0120	12	18.80	13.50	5	2-113	2.62	13.94	•
0140	14	20.80	15.50	5	2-114	2.62	15.54	•
0150	15	21.80	16.50	5	2-115	2.62	17.12	
0160	16	22.80	17.50	5	2-116	2.62	18.72	•
0180	18	24.80	19.50	5	2-117	2.62	20.29	•
0200	20	26.80	21.50	5	2-118	2.62	21.89	•
0240	24	30.80	25.50	5	2-120	2.62	25.07	
0250	25	31.80	26.50	5	2-121	2.62	26.64	•
0260	26	32.80	27.50	5	2-122	2.62	28.24	
0280	28	34.80	29.50	5	2-123	2.62	29.82	•
0300	30	36.80	31.50	5	2-124	2.62	31.42	
0320	32	38.80	33.50	5	2-126	2.62	34.59	•
0350	35	41.80	36.50	5	2-127	2.62	36.17	
0370	37	43.80	38.50	5	2-129	2.62	39.34	
0380	38	44.80	39.50	5	2-130	2.62	40.94	
0400	40	46.80	41.50	5	2-131	2.62	42.52	•
0420	42	48.80	43.50	5	2-132	2.62	44.12	
0450	45	51.80	46.50	5	2-134	2.62	47.29	•
0480	48	54.80	49.50	5	2-136	2.62	50.47	
0500	50	56.80	51.50	5	2-137	2.62	52.07	•
0520	52	58.80	53.50	5	2-138	2.62	53.64	
0550	55	61.80	56.50	5	2-140	2.62	56.82	
0580	58	64.80	59.50	5	2-142	2.62	59.99	
0600	60	66.80	61.50	5	2-143	2.62	61.60	
0650	65	73.80	67	6	2-231	3.53	66.27	

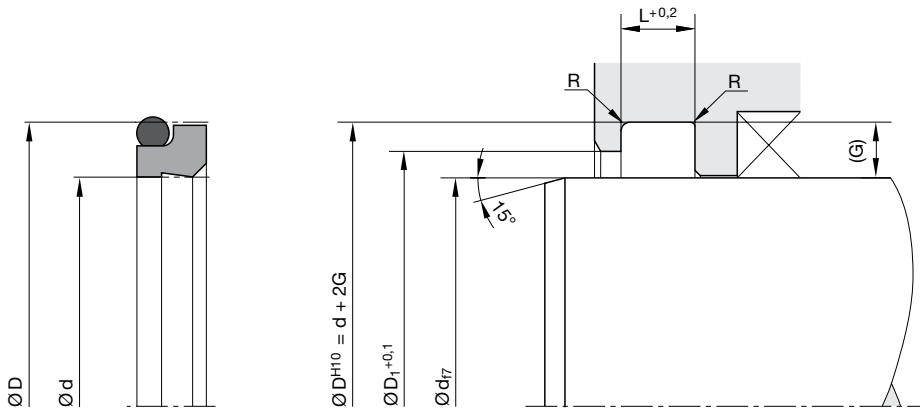
¹⁾ Housing dimensions according to DIN ISO 6195, Type C or Type D.
Further sizes on request.



For surface finish, lead in chamfer and other installation dimensions see „General installation guidelines“.

Size	Groove				No.	O-ring		ISO ¹⁾
	Ø d (mm)	Ø D (mm)	Ø D ₁ (mm)	L (mm)		CS (mm)	ID (mm)	
0700	70	78.80	72	6	2-233	3.53	72.62	•
0750	75	83.80	77	6	2-234	3.53	75.79	
0800	80	88.80	82	6	2-236	3.53	82.14	•
0850	85	93.80	87	6	2-237	3.53	85.32	
0900	90	98.80	92	6	2-239	3.53	91.67	•
0950	95	103.80	97	6	2-241	3.53	98.02	
1000	100	108.80	102	6	2-242	3.53	101.19	•
1100	110	118.80	112	6	2-245	3.53	110.72	•
1200	120	128.80	122	6	2-249	3.53	123.42	
1250	125	133.80	127	6	2-250	3.53	126.59	•
1300	130	138.80	132	6	2-252	3.53	132.94	
1400	140	148.80	142	6	2-255	3.53	142.47	
1500	150	158.80	152	6	2-258	3.53	151.99	
1550	155	163.80	157	6	2-259	3.53	158.34	
1600	160	168.80	162	6	2-260	3.53	164.69	
1700	170	178.80	172	6	2-261	3.53	171.04	
1750	175	183.80	177	6	2-262	3.53	177.39	
1800	180	188.80	182	6	2-263	3.53	183.74	
1850	185	193.80	187	6	2-263	3.53	183.74	
1900	190	198.80	192	6	2-264	3.53	190.09	
1950	195	203.80	197	6	2-265	3.53	196.44	
2000	200	208.80	202	6	2-266	3.53	202.79	
2100	210	218.80	212	6	2-267	3.53	209.14	
2200	220	228.80	222	6	2-269	3.53	221.84	
2250	225	233.80	227	6	2-270	3.53	228.19	
2300	230	238.80	232	6	2-271	3.53	234.54	
2400	240	248.80	242	6	2-272	3.53	240.89	
2500	250	258.80	252	6	2-274	3.53	253.59	•
2600	260	272.20	262	8.40	2-378	5.33	266.07	
2700	270	282.20	272	8.40	2-379	5.33	278.77	

¹⁾ Housing dimensions according to DIN ISO 6195, Type C or Type D.
Further sizes on request.



For surface finish, lead in chamfer and other installation dimensions see „General installation guidelines“.

Size	Groove				No.	O-ring		ISO ¹⁾
	Ø d (mm)	Ø D (mm)	Ø D ₁ (mm)	L (mm)		CS (mm)	ID (mm)	
2800	280	292.20	282	8.40	2-379	5.33	278.77	•
2900	290	302.20	292	8.40	2-380	5.33	291.47	
3000	300	312.20	302	8.40	2-381	5.33	304.17	
3100	310	322.20	312	8.40	2-381	5.33	304.17	
3200	320	332.20	322	8.40	2-382	5.33	329.57	•
3300	330	342.20	332	8.40	2-382	5.33	329.57	
3400	340	352.20	342	8.40	2-382	5.33	329.57	
3500	350	362.20	352	8.40	2-383	5.33	354.97	
3600	360	372.20	362	8.40	2-383	5.33	354.97	•
3700	370	382.20	372	8.40	2-383	5.33	354.97	
3800	380	392.20	382	8.40	2-384	5.33	380.37	
3900	390	402.20	392	8.40	2-384	5.33	380.37	
4000	400	412.20	402	8.40	2-385	5.33	405.26	
4100	410	422.20	412	8.40	2-385	5.33	405.26	
4200	420	432.20	422.50	8.40	2-386	5.33	430.66	
4300	430	446	432.50	11	2-463	6.99	430.66	
4400	440	456	442.50	11	2-464	6.99	443.38	
4500	450	466	452.50	11	2-465	6.99	456.03	
4600	460	476	462.50	11	2-466	6.99	468.76	
4700	470	486	472.50	11	2-466	6.99	468.76	
4800	480	496	482.50	11	2-467	6.99	481.46	
4900	490	506	492.50	11	2-468	6.99	494.16	
5000	500	516	502.50	11	2-469	6.99	506.86	

¹⁾ Housing dimensions according to DIN ISO 6195, Type C or Type D.
Further sizes on request.



The internally sealing OR sealing set featuring a Slipper Seal® design consists of a PTFE rotor sealing ring and an elastomer O-ring as a pre-loading element.

It is particularly suitable for alternating sealing of rotary transmissions for slewing rings, swivel drives, hose reels, and in machine tool hydraulics. If the sealing set is used as an end seal, it is recommended to install a double wiper ring at the end of the components. Due to the special operating conditions of rotary transmissions, the OR rotor sealing sets are provided with one or two circumferential lubrication grooves.

Due to the material combination of the slide ring (PTFE) and O-ring (elastomer), this product is suitable for a wide range of applications, especially for aggressive media and/or high temperatures. Alternatively, several compounds can be selected, depending on the specific applications profile.

- Good sealing performance in extremely small assembly conditions.
- Excellent wear resistance.
- Minimal break-away and dynamic friction and no stick-slip tendency ensures uniform motion even at low speeds.
- Good energy efficiency due to low friction.
- Insensitive to pressure peaks.
- High temperature resistance assured by suitable O-ring compound selection.
- Improved lubrication due to pressure medium deposit in the dynamic contact area.
- High extrusion resistance.
- Adaptable to nearly all media thanks to high chemical resistance of the sealing ring and large O-ring compound selection.
- Short axial assembly length.
- Installation in closed and undercut housings.
- Available in diameters from 4 to 4500 mm.
- Additional sizes of machined products available on short notice.

Range of application

Operating pressure	≤ 300 bar
Operating temperature	-30 °C to +100 °C ¹⁾
Sliding speed	≤ 1 m/s

Recommendation for rotary transmissions: $P \times v \leq 25$ (40)

(For definition see catalogue „Hydraulic Seals“, chapter „Rotary Seals“, introduction.)

¹⁾ With deviation from standard temperature range, please contact our consultancy service for adequate O-ring compound.

Compounds

Sealing ring: Polon® 033, modified PTFE + 25 % carbon.

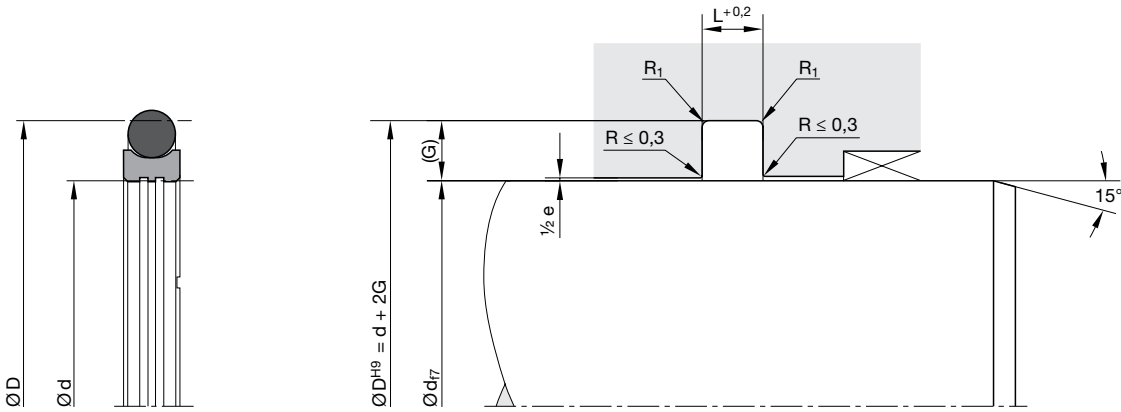
O-ring: N0674, NBR elastomer with approx. 70 Shore A.

Installation

For diameters < 30 mm open grooves are required.

This seal should only be used in combination with closed guiding elements.

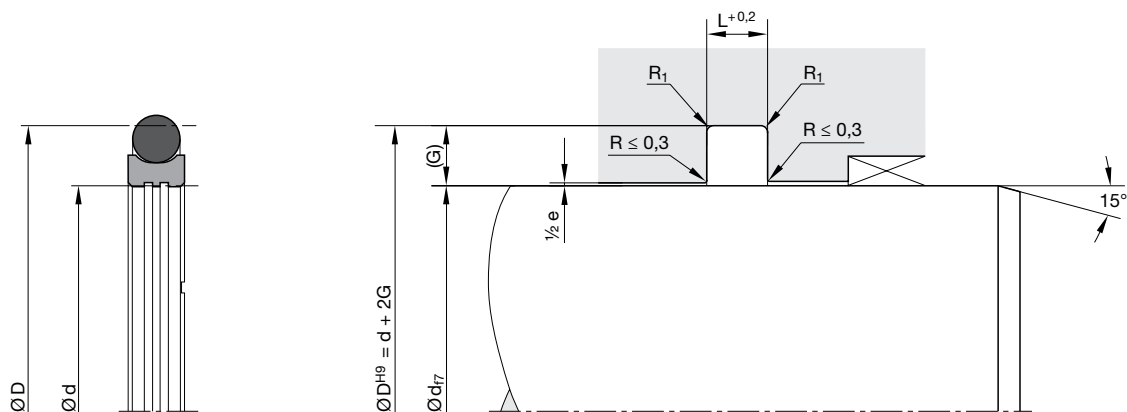
In case of special operating conditions (specific pressure loads, temperature, speed, use in water, HFA, HFB fluids etc.), please contact our consultancy service for a selection of the material and design best suiting your particular application requirements.



For surface finish, lead in chamfer and other installation dimensions see „General installation guidelines“.

Housing dimensions

Series no.	Cross-section	O-ring cross-section (mm)	Recommended shaft \varnothing range		Groove width L (mm)	Groove depth G (mm)	Gap max. 0-200 bar e (mm)		Gap max. 200-400 bar e (mm)		Radius max. R_1 (mm)
			\geq d (mm)	$<$							
00160	A	1.78	4	8	2.2	2.45	0.4 - 0.2	0.2 - 0.1	0.5		
00160	B	2.62	8	19	3.2	3.75	0.4 - 0.2	0.2 - 0.1	0.5		
00160	C	3.53	19	38	4.2	5.50	0.6 - 0.3	0.3 - 0.2	0.5		
00160	D	5.33	38	200	6.3	7.75	0.8 - 0.4	0.4 - 0.2	0.9		
00160	E	6.99	200	256	8.1	10.50	1 - 0.5	0.5 - 0.3	0.9		
00160	F	6.99	256	650	8.1	12.25	1 - 0.5	0.5 - 0.3	0.9		
00160	G	8.40	650	1000	9.5	14.00	1 - 0.5	0.5 - 0.3	0.9		



For surface finish, lead in chamfer and other installation dimensions see „General installation guidelines“.

Ordering example

Shaft diameter 80 mm

OR 0800 033 00161 D (80 × 95.5 × 6.3)

OR Profile

0800 Shaft diameter × 10

033 Compound

00161 Series no. / compound code O-ring

00160 without O-ring

00161 N0674 (NBR) 70^{±5} Shore A -30 / +110 °C

00162 V0747 (FKM) 75^{±5} Shore A -25 / +200 °C

00163 N0756 (NBR) 75^{±5} Shore A -50 / +110 °C

00164 E0540 (EPDM) 80^{±5} Shore A -30 / +110 °C

00165 N3578 (NBR) 75^{±5} Shore A -30 / +110 °C

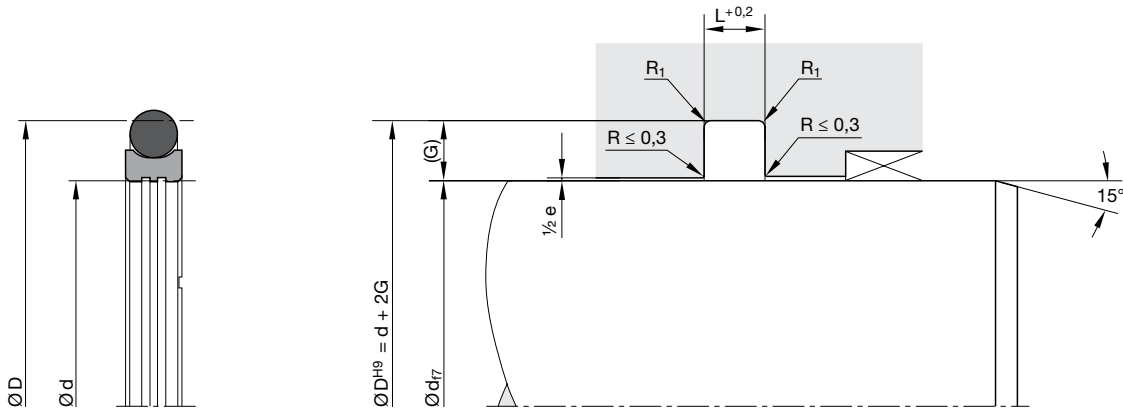
00166 N0552 (NBR) 90^{±5} Shore A -30 / +100 °C

00167 N1173 (HNBR) 70^{±5} Shore A -30 / +150 °C

D Cross-section

Please note:

For certain applications, it might be convenient to use a non-standard cross-section reduced or heavier. In these cases, please replace the standard cross-section code (in above example: „D“) by the one you require (for example „C“ or „E“).

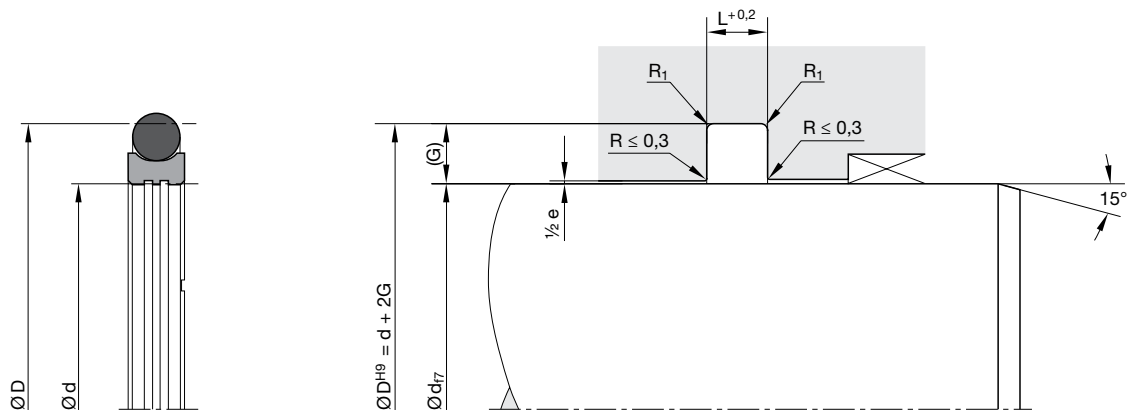


For surface finish, lead in chamfer and other installation dimensions see „General installation guidelines“.

Standard range

Size	Groove			O-ring			Size	Groove			O-ring		
	Ø d	Ø D	L	No.	CS	ID		Ø d	Ø D	L	No.	CS	ID
	(mm)	(mm)	(mm)		(mm)	(mm)		(mm)	(mm)	(mm)		(mm)	(mm)
0040	4	8.90	2.20	2-010	1.78	6.07	0630	63	74	6.30	2-231	3.53	66.27
0060	6	10.90	2.20	2-011	1.78	7.65	0650	65	76	6.30	2-232	3.53	69.44
0080	8	12.90	3.20	2-012	1.78	9.25	0700	70	81	6.30	2-233	3.53	72.62
0100	10	14.90	3.20	2-013	1.78	10.82	0750	75	86	6.30	2-235	3.53	78.97
0120	12	16.90	3.20	2-015	1.78	14.00	0800	80	91	6.30	2-237	3.53	85.32
0140	14	18.90	3.20	2-016	1.78	15.60	0850	85	96	6.30	2-238	3.53	88.49
0160	16	20.90	3.20	2-017	1.78	17.17	0900	90	101	6.30	2-240	3.53	94.84
0170	17	21.90	3.20	2-018	1.78	18.77	0950	95	106	6.30	2-242	3.53	101.19
0180	18	22.90	3.20	2-019	1.78	20.35	1000	100	111	6.30	2-243	3.53	104.37
0190	19	26.50	4.20	2-118	2.62	21.89	1100	110	121	6.30	2-246	3.53	113.89
0200	20	27.50	4.20	2-119	2.62	23.47	1200	120	131	6.30	2-249	3.53	123.42
0220	22	29.50	4.20	2-120	2.62	25.07	1300	130	141	6.30	2-252	3.53	132.94
0240	24	31.50	4.20	2-121	2.62	26.64	1400	140	151	6.30	2-255	3.53	142.47
0250	25	32.50	4.20	2-122	2.62	28.24	1500	150	161	6.30	2-258	3.53	151.99
0270	27	34.50	4.20	2-123	2.62	29.82	1600	160	171	6.30	2-260	3.53	164.69
0280	28	35.50	4.20	2-124	2.62	31.41	1700	170	181	6.30	2-261	3.53	171.04
0300	30	37.50	4.20	2-125	2.62	32.99	1800	180	191	6.30	2-263	3.53	183.74
0320	32	39.50	4.20	2-126	2.62	34.59	1900	190	201	6.30	2-264	3.53	190.09
0330	33	40.50	4.20	2-127	2.62	36.17	2000	200	215.50	8.10	2-369	5.33	202.57
0350	35	42.50	4.20	2-128	2.62	37.77	2100	210	225.50	8.10	2-371	5.33	215.27
0360	36	43.50	4.20	2-129	2.62	39.34	2200	220	235.50	8.10	2-372	5.33	221.62
0370	37	44.50	4.20	2-130	2.62	40.94	2300	230	245.50	8.10	2-374	5.33	234.32
0380	38	49	6.30	2-223	3.53	40.87	2400	240	255.50	8.10	2-375	5.33	240.67
0400	40	51	6.30	2-224	3.53	44.04	2500	250	265.50	8.10	2-377	5.33	253.37
0420	42	53	6.30	2-225	3.53	47.22	2560	256	277	8.10	2-449	6.99	253.37
0450	45	56	6.30	2-226	3.53	50.39	2600	260	281	8.10	2-450	6.99	266.07
0480	48	59	6.30	2-227	3.53	53.57	2700	270	291	8.10	2-451	6.99	278.77
0500	50	61	6.30	2-228	3.53	56.74	2800	280	301	8.10	2-451	6.99	278.77
0550	55	66	6.30	2-229	3.53	59.92	2900	290	311	8.10	2-452	6.99	291.47
0600	60	71	6.30	2-230	3.53	63.09	3000	300	321	8.10	2-453	6.99	304.17

Further sizes on request.



For surface finish, lead in chamfer and other installation dimensions see „General installation guidelines“.

Size	Groove			O-ring		
	$\varnothing d$ (mm)	$\varnothing D$ (mm)	L (mm)	No.	CS (mm)	ID (mm)
3100	310	331	8.10	2-454	6.99	316.87
3200	320	241	8.10	2-455	6.99	329.57
3300	330	351	8.10	2-456	6.99	342.27
3400	340	361	8.10	2-457	6.99	354.97
3500	350	371	8.10	2-457	6.99	354.97
3600	360	281	8.10	2-458	6.99	367.67
3700	370	391	8.10	2-459	6.99	380.37
3800	380	401	8.10	2-460	6.99	393.07
3900	390	411	8.10	2-461	6.99	405.26
4000	400	421	8.10	2-461	6.99	405.26
4200	420	431	8.10	2-462	6.99	430.66
4500	450	471	8.10	2-465	6.99	456.06
4700	470	491	8.10	2-467	6.99	481.46
5000	500	521	8.10	2-469	6.99	506.86
5300	530	551	8.10	2-470	6.99	532.26
5500	550	571	8.10	2-471	6.99	557.66
5800	580	601	8.10	2-472	6.99	582.68
6000	600	621	8.10	2-473	6.99	608.08
6200	620	641	8.10	2-473	6.99	608.08
6400	640	661	8.10	2-474	6.99	633.48
6500	650	678	9.50	-	8.40	649
8000	800	828	9.50	-	8.40	810

Further sizes on request.



The externally sealing double-acting OQ rotor sealing set featuring a Slipper Seal® design consists of a PTFE rotor sealing ring and an elastomer O-ring as a preloading element.

It is particularly suitable for alternating sealing of rotary transmissions for slewing rings, swivel drives, hose reels, and in machine tool hydraulics. If the sealing set is used as an end seal, it is recommended to install a double wiper ring at the end of the components. Due to the special operating conditions of rotary transmissions, the OQ rotor sealing sets are provided with one or two circumferential lubrication grooves.

Due to the material combination of the slide ring (PTFE) and O-ring (elastomer), this product is suitable for a wide range of applications, especially for aggressive media and/or high temperatures. Alternatively, several compounds can be selected, depending on the specific applications profile.

From the perspective of application engineering, internally sealing rotor seals (see RS, OR, KA product series) are the preferred choices.

- Excellent wear resistance.
- Minimal break-away and dynamic friction and no stick-slip tendency ensures uniform motion even at low speeds.
- Good energy efficiency due to low friction.
- High temperature resistance assured by suitable O-ring compound selection.
- Adaptable to nearly all media thanks to high chemical resistance of the sealing ring and large O-ring compound selection.
- Dimensions according to ISO 7425-1.
- Installation in closed and undercut housings.
- Available in diameters from 4 to 4500 mm.
- Additional sizes of machined products available on short notice.

Range of application

Recommendation for rotary transmissions: $P \times v \leq 25$ (40)
(For definition see catalogue "Hydraulic Seals", chapter "Rotary Seals", introduction.)

Operating pressure	≤ 300 bar
Operating temperature	-30 °C to +100 °C ¹⁾
Sliding speed	≤ 1 m/s

¹⁾ With deviation from standard temperature range, please contact our consultancy service for adequate O-ring compound.

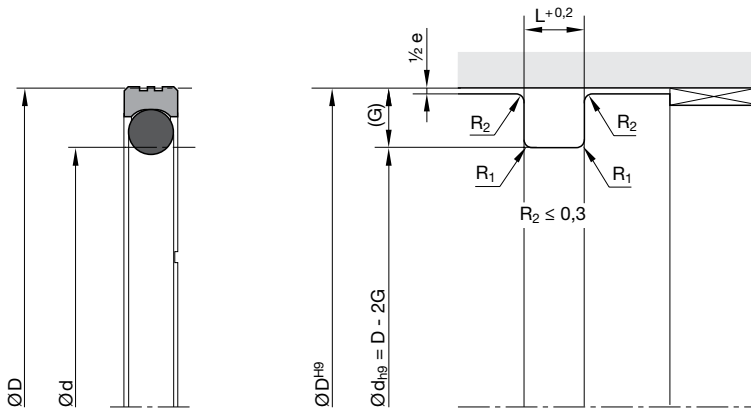
Compounds

Sealing ring: Polon® 033, modified PTFE + 25 % carbon.

O-ring: N0674, NBR elastomer with approx. 70 Shore A.

This seal should only be used in combination with closed guiding elements.

In case of special operating conditions (specific pressure loads, temperature, speed, use in water, HFA, HFB fluids etc.), please contact our consultancy service for a selection of the material and design best suiting your particular application requirements.



For surface finish, lead in chamfer and other installation dimensions see „General installation guidelines“.

Housing dimensions

Series no.	Cross-section	O-ring cross-section (mm)	Recommended shaft \varnothing range		Groove width L (mm)	Groove depth G (mm)	Gap max. 0-200 bar e (mm)	Gap max. 200-400 bar e (mm)	Radius max. R_1 (mm)
			\geq D (mm)	$<$ D (mm)					
00260	A	1.78	4	8	2.2	2.45	0.4 - 0.2	0.2 - 0.1	0.5
00260	B	2.62	8	19	3.2	3.75	0.4 - 0.2	0.2 - 0.1	0.5
00260	C	3.53	19	38	4.2	5.50	0.6 - 0.3	0.3 - 0.2	0.5
00260	D	5.33	38	200	6.3	7.75	0.8 - 0.4	0.4 - 0.2	0.9
00260	E	6.99	200	650	8.1	10.50	1.0 - 0.5	0.5 - 0.3	0.9
00260	F	6.99	200	650	8.1	12.25	1.0 - 0.5	0.5 - 0.3	0.9
00260	G	8.40	650	1000	9.5	14.00	1.0 - 0.5	0.5 - 0.3	0.9



For surface finish, lead in chamfer and other installation dimensions see „General installation guidelines“.

Ordering example

Shaft diameter 80 mm

OQ 0800 033 00261 C (80 × 69 × 4.2)

OQ Profile

0800 Shaft diameter × 10

033 Compound

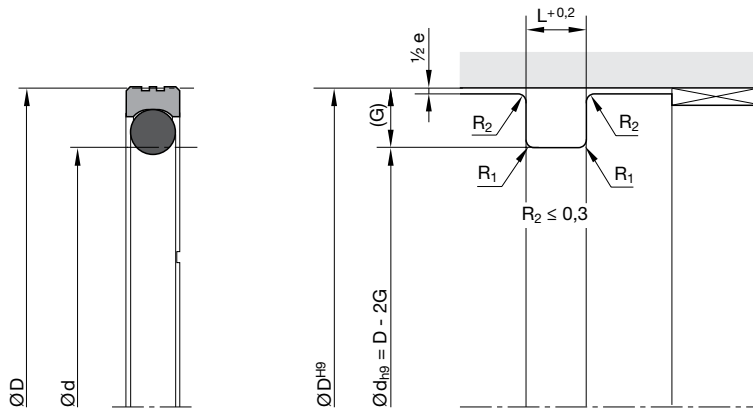
00261 Series no. / compound code O-ring

00260	without O-ring			
00261	N0674 (NBR)	70 ^{±5} Shore A		-30 / +110 °C
00262	V0747 (FKM)	75 ^{±5} Shore A		-25 / +200 °C
00263	N0756 (NBR)	75 ^{±5} Shore A		-50 / +110 °C
00264	E0540 (EPDM)	80 ^{±5} Shore A		-40 / +150 °C
00265	N3578 (NBR)	75 ^{±5} Shore A		-30 / +110 °C
00266	N0552 (NBR)	90 ^{±5} Shore A		-30 / +100 °C
00267	N1173 (HNBR)	70 ^{±5} Shore A		-30 / +150 °C

C Cross-section

Please note:

For certain applications, it might be convenient to use a non-standard cross-section reduced or heavier. In these cases, please replace the standard cross-section code (in above example: „C“) by the one you require (for example „B“ or „D“).

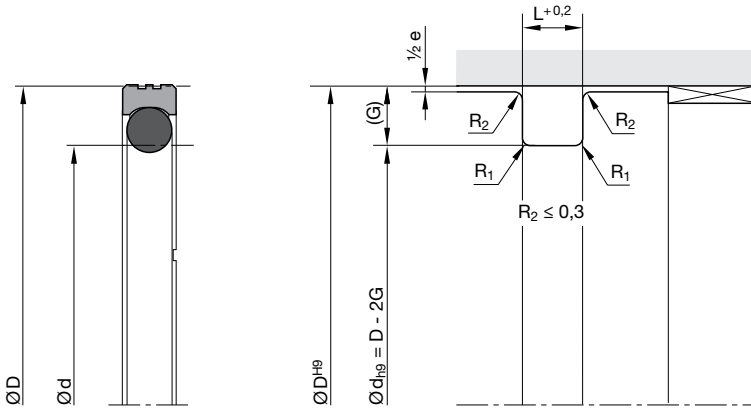


For surface finish, lead in chamfer and other installation dimensions see „General installation guidelines“.

Standard range

Size	Groove			O-ring			Size	Groove			O-ring		
	Ø D (mm)	Ø d (mm)	L (mm)	No.	CS (mm)	ID (mm)		Ø D (mm)	Ø d (mm)	L (mm)	No.	CS (mm)	ID (mm)
0080	8	3.10	2.20	2-006	1.78	2.90	1050	105	94	4.20	2-239	3.53	91.67
0100	10	5.10	2.20	2-008	1.78	4.47	1100	110	99	4.20	2-241	3.53	98.02
0120	12	7.10	2.20	2-010	1.78	6.07	1150	115	104	4.20	2-242	3.53	101.19
0160	16	11.10	2.20	2-012	1.78	9.25	1200	120	109	4.20	2-244	3.53	107.54
0180	18	13.10	2.20	2-014	1.78	12.42	1250	125	114	4.20	2-246	3.53	113.89
0200	20	15.10	2.20	2-015	1.78	14	1300	130	119	4.20	2-247	3.53	117.07
0220	22	17.10	2.20	2-017	1.78	17.17	1330	133	117.50	6.30	2-349	5.33	113.67
0250	25	20.10	2.20	2-018	1.78	18.77	1350	135	119.50	6.30	2-350	5.33	116.84
0280	28	23.10	2.20	2-020	1.78	21.95	1400	140	124.50	6.30	2-352	5.33	123.19
0300	30	25.10	2.20	2-022	1.78	25.12	1450	145	129.50	6.30	2-354	5.33	129.54
0320	32	27.10	2.20	2-023	1.78	26.70	1500	150	134.50	6.30	2-355	5.33	132.72
0340	34	29.10	2.20	2-024	1.78	28.30	1550	155	139.50	6.30	2-357	5.33	139.07
0360	36	31.10	2.20	2-025	1.78	29.87	1600	160	144.50	6.30	2-358	5.33	142.24
0400	40	32.50	3.20	2-124	2.62	31.42	1650	165	149.50	6.30	2-360	5.33	148.59
0420	42	34.50	3.20	2-125	2.62	32.99	1700	170	154.50	6.30	2-361	5.33	151.77
0450	45	37.50	3.20	2-127	2.62	36.17	1750	175	159.50	6.30	2-362	5.33	158.12
0480	48	40.50	3.20	2-129	2.62	39.34	1800	180	164.50	6.30	2-363	5.33	164.47
0500	50	42.50	3.20	2-130	2.62	40.94	1900	190	174.50	6.30	2-364	5.33	170.82
0520	52	44.50	3.20	2-132	2.62	44.12	1950	195	179.50	6.30	2-365	5.33	177.17
0550	55	47.50	3.20	2-133	2.62	45.69	2000	200	184.50	6.30	2-366	5.33	183.52
0600	60	52.50	3.20	2-137	2.62	52.07	2100	210	194.50	6.30	2-367	5.33	189.87
0630	63	55.50	3.20	2-138	2.62	53.64	2200	220	204.50	6.30	2-369	5.33	202.57
0650	65	57.50	3.20	2-140	2.62	56.82	2300	230	214.50	6.30	2-370	5.33	208.92
0700	70	62.50	3.20	2-143	2.62	61.60	2400	240	224.50	6.30	2-372	5.33	221.62
0750	75	67.50	3.20	2-146	2.62	66.34	2500	250	234.50	6.30	2-374	5.33	234.32
0800	80	69	4.20	2-231	3.53	66.27	2600	260	244.50	6.30	2-375	5.33	240.67
0850	85	74	4.20	2-233	3.53	72.62	2700	270	254.50	6.30	2-377	5.33	253.37
0900	90	79	4.20	2-235	3.53	78.97	2800	280	264.50	6.30	2-378	5.33	266.07
0950	95	84	4.20	2-236	3.53	82.14	3000	300	284.50	6.30	2-379	5.33	278.77
1000	100	89	4.20	2-238	3.53	88.49	3100	310	294.50	6.30	2-380	5.33	291.47

Further sizes on request.



For surface finish, lead in chamfer and other installation dimensions see „General installation guidelines“.

Size	Groove			O-ring		
	Ø D (mm)	Ø d (mm)	L (mm)	No.	CS (mm)	ID (mm)
3200	320	304.50	6.30	2-381	5.33	304.17
3300	330	309	8.10	2-453	6.99	304.17
3400	340	319	8.10	2-454	6.99	316.87
3500	350	329	8.10	2-455	6.99	329.57
3700	370	349	8.10	2-456	6.99	342.27
3800	380	359	8.10	2-457	6.99	354.97
3900	390	369	8.10	2-458	6.99	367.67
4100	410	389	8.10	2-459	6.99	380.37
4200	420	399	8.10	2-460	6.99	393.07
4300	430	409	8.10	2-461	6.99	405.26
4400	440	419	8.10	2-462	6.99	417.96
4600	460	439	8.10	2-463	6.99	430.66
4700	470	449	8.10	2-464	6.99	443.36
4800	480	459	8.10	2-465	6.99	456.06
5000	500	479	8.10	2-466	6.99	468.76
5500	550	529	8.10	2-470	6.99	532.26
6000	600	579	8.10	2-472	6.99	582.68
6500	650	629	8.10	2-474	6.99	633.48
6600	690	669	8.10	2-475	6.99	658.88
3300	330	305.50	8.10	2-453	6.99	304.17
4500	450	425.50	8.10	2-462	6.99	417.96
5000	500	475.50	8.10	2-466	6.99	468.76
5500	550	525.50	8.10	2-470	6.99	532.22
6000	600	575.50	8.10	2-471	6.99	557.66
6500	650	625.50	8.10	2-473	6.99	608.08
6600	690	665.50	8.10	2-475	6.99	658.88
6700	670	642	9.50	N/A	8.40	635
7000	700	672	9.50	N/A	8.40	670
8000	800	772	9.50	N/A	8.40	770
9000	900	872	9.50	N/A	8.40	865

Further sizes on request.

4 Slipper Seals®

4.5 Slipper Seal® material selection

4.5.1 Dynamic element

Parker draws on a wide range of PTFE compounds and other polymeric materials to manufacture the dynamic element of the Slipper Seal®. Our material range includes standard and speciality filled PTFE compounds, TFM blends, polyethylene, polyurethane, thermoplastics, PEEK, ...

Table 4.1 shows a selection of our preferred polymer materials used for the dynamic element of a Slipper Seal®. Please start by making an initial, possibly multiple, selection of all materials with appropriate application descriptions and service temperature ranges. The final selection may then be made using the performance rating values for a material with the best combination of characteristics for the intended service.

For guidance on selecting a material other than those listed, please contact our consultancy service.

Compound code	Polymer base	Colour	Temperature range ¹⁾ (°C)		Wear resistance ³⁾	FDA-compliant	Min. recommended dyn. surface hardness (HRC)	Remarks
Polon® 005	PTFE + aromatic polyester	cream	- 260	+ 315	3	●	25	<ul style="list-style-type: none"> a dynamic material for softer mating surfaces and a static material for high temperatures excellent wear resistance without abrasion not recommended for applications involving steam > 120 °C used for rotary slipper
Polon® 006	UHMW-PE	translucent	- 200	+ 80	1 ²⁾	●	35	<ul style="list-style-type: none"> one of the toughest, most wear-resistant materials with limitations, however, in terms of temperature and chemical resistance intended for reciprocating or very slow rotary applications outstanding wear resistance in water and air higher coefficient of friction than PTFE
Polon® 012	modified PTFE	dark green	- 190	+ 230	2		25	<ul style="list-style-type: none"> improved wear resistance compared to unfilled PTFE low duty hydraulic application
Polon® 025	PTFE + 15 % glas fibre	dark green	- 260	+ 300	3		60	<ul style="list-style-type: none"> improves wear resistance and offers good compressive strength only for use on very hard mating surfaces do not use with strong bases or hydrofluoric acid medium-duty hydraulic applications
Polon® 030	PTFE + carbon/graphite	black	- 260	+ 300	4		50	<ul style="list-style-type: none"> water / oil hydraulics excellent all-purpose material performs well in non-lubricated systems
Polon® 033	PTFE + carbon	black	- 260	+ 300	4		50	<ul style="list-style-type: none"> high wear resistance typical rotary Slipper Seal® material
Polon® 052	PTFE + bronze	bronze	- 260	+ 260	4		45	<ul style="list-style-type: none"> full contact hydraulic applications excellent for high speeds
Polon® 062	PTFE + bronze	bronze	- 260	+ 260	5		45	<ul style="list-style-type: none"> higher bronze content than material 052 full contact hydraulic applications excellent for high speeds
Polon® 074	PTFE + carbon fibre	black	- 260	+ 300	4	●	50	<ul style="list-style-type: none"> excellent wear behaviour in water hydraulics recommended for high-frequency/short-stroke applications
nobrox® W61	PK	orange brown	- 40	+ 120	5		35	<ul style="list-style-type: none"> excellent wear resistance easy installation

Notes

¹⁾ High temperature end is subjected to extrusion gap guidelines.

²⁾ Not recommended in rotary applications due to generation of frictional heat.

³⁾ 1 is lowest rating, 5 is highest rating.

We emphasize that this table should be used as a guide only. The data provided above is based primarily on laboratory and service tests, but does not take into account all variables that can be encountered in actual use. Therefore, it is always advisable to test the material under actual service conditions before specification. If this is not practical, tests should be designed in such a way that service conditions are simulated as closely as possible.

Tab. 4.1 Slipper Seal® dynamic element materials

4.5.2 O-ring

The following table lists the standard elastomeric compounds and their operational temperature range for use with the Slipper Seal®. To select the O-ring, the chemical and temperature conditions of the application should be considered.

Please consult the Parker O-ring Handbook as a general reference.

Code no.	Compound base	Parker compound	Hardness (Shore A)	Temperature range (°C)
0	No O-ring, code used to designate PTFE component only			
1	NBR	N0674	70 ⁺⁵	-30 +110
2	FKM	V0747	75 ⁺⁵	-25 +200
3	NBR	N0756	75 ⁺⁵	-50 +110
4	EPDM	E0540	80 ⁺⁵	-40 +150
5	NBR	N3578	75 ⁺⁵	-30 +110
6	NBR	N0552	90 ⁺⁵	-20 +110
7	HNBR	N1173	70 ⁺⁵	-30 +150

Tab. 4.2 Standard O-ring coding and temperature range

4.6 Installation guidelines

4.6.1 Piston seals

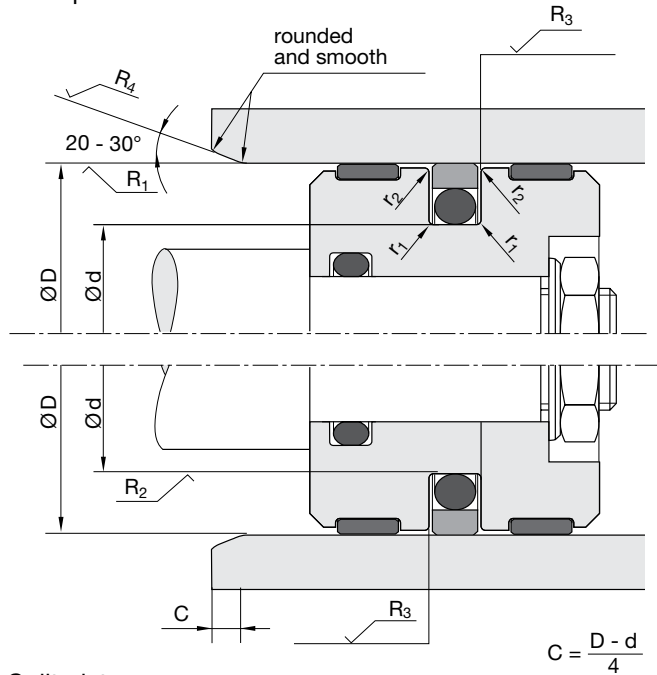
International (ISO) and national (DIN) standards for seal housing dimensions are in place and should be considered. For seals requiring a special groove, e.g. special seals, valve seals, rotor seals etc., the groove dimensions are stated separately. In general, the surface finishes, leading edge chamfers and dimensions stated here have already proved themselves and will mostly be found in the standards.

We recommend that customers adhere to the tolerances and surface finishes stated in this catalogue. This is a prerequisite for easy, damage-free installation and for the seal to retain the properties stated in this catalogue.

Surfaces: Grinding as final machining process for dynamic sealing surfaces is not sufficient. These surfaces have to be polished afterwards.

Radii: As for the necessary radii (r) please refer to the respective profile data or the applicable standards.

Solid piston



Split piston

Fig. 4.4 Slipper Seal®, piston-type

Surfaces

Dynamic sealing surfaces

For rubber and PTFE products

R_{z1}, R_{z2} 1.0 µm / R_a 0.2 µm

$80 \% \leq *t_{p1} \leq 95 \%$

For polyurethane products

R_{z1}, R_{z2} 1.6 µm / R_a 0.4 µm

$60 \% \leq *t_{p1} \leq 80 \%$

Static sealing surfaces

R_{z2}, R_{z3} 6.3 µm / R_a 0.8 µm

$*t_{p2} \geq 60 \%$

Non-sealing surfaces and lead-in chamfers

R_{z3}, R_{z4} 16 µm / R_a 4 µm

R_{z1}, R_{z2} 10 µm / R_a 1.6 µm

* Measured in a depth of 25 % of the R_t -value based on a reference level (zero line) set at 5 % bearing area.

Installation guidelines for PTFE seals

The grooves must be carefully cleaned and deburred. The cylinder bore must have a lead-in chamfer. When fitting the piston sealing ring there is always the danger that the ring may tilt and be sheared off by normal lead-in chamfers (see fig. 4.5). We therefore recommend that up to a cylinder diameter of 230 mm a lead-in chamfer according to fig. 4.6 or detail "A" is considered. In the case of smaller rings which are especially liable to bending we recommend an open-groove design for diameters smaller than 30 mm.

4 Slipper Seals®

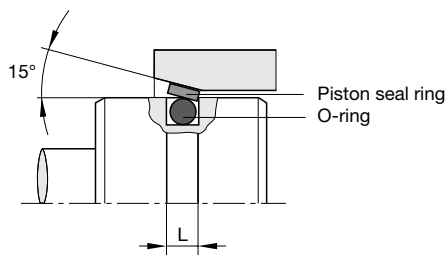


Fig. 4.5 Slipper Seal®, piston-type, installation, step 1. Tilting of the sealing ring when installing a piston-type Slipper Seal®.

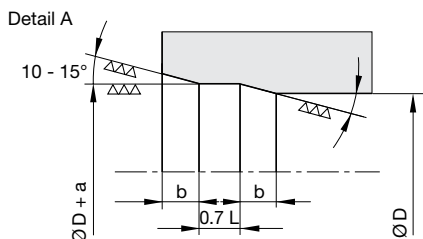
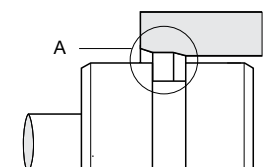


Fig. 4.6 Slipper Seal®, piston-type, installation, step 2. Recommended lead-in chamfer for piston-type Slipper Seal® installation.

Ø D	min. a	max. b
≤ 45	0.8	2.4
45 - 175	1	3
175 - 230	1.5	4.5

Tab. 4.3 Tablenumber

Assembly instruction for PTFE seals

Install the O-ring in the groove as per normal practice. Piston sealing rings of up to 100 mm diameter and wall thickness of over 1.6 mm should be “slowly” expanded and fitted with an assembly tool (see fig. 4.7). Larger rings can be expanded by hand. Uneven stretching or overstretching must be avoided under all circumstances.

Should it be necessary to pull the rings over existing guide ring grooves, then these grooves must be covered with plastic tape, or alternatively the expanding mandrel must reach the groove in question (see fig. 4.7). This ensures that the piston sealing ring does not snap into the wrong groove. The use of a burnishing shell is recommended when the assembly of a piston is made difficult by an overstretched ring or when the cylinder has an inadequate lead-in chamfer (see fig. 4.8).

Assembly aids can be manufactured conveniently out of metal. However, in many cases polyamide or POM is also suitable.

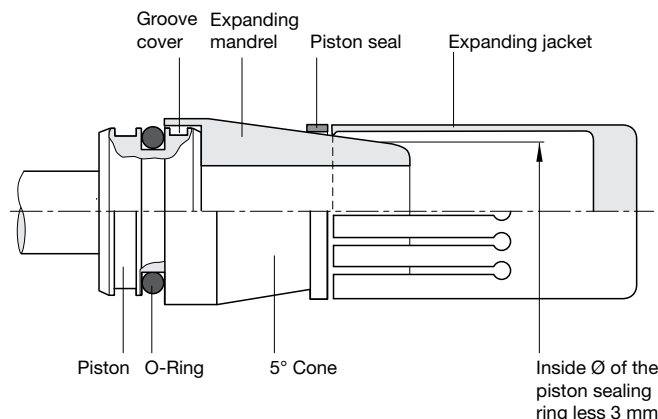


Fig. 4.7 Slipper Seal®, piston-type, installation, step 3. Stretching tool set for installation of a piston-type Slipper Seal®.

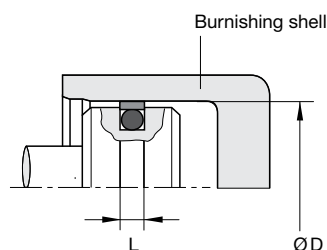


Fig. 4.8 Slipper Seal®, piston-type, installation, step 4. Resizing of the piston-type Slipper Seal®.

4.6.2 Rod seals

International (ISO) and national (DIN) standards for seal housing dimensions are in place and should be considered. For seals requiring a special groove, e.g. special seals, valve seals, rotor seals etc., the groove dimensions are stated separately. In general, the surface finishes, leading edge chamfers and dimensions stated here have already proved themselves and will mostly be found in the standards.

We recommend that customers adhere to the tolerances and surface finishes stated in this catalogue. This is a prerequisite for easy, damage-free installation and for the seal to retain the properties stated in this catalogue.

Surfaces: Grinding as final machining process for dynamic sealing surfaces is not sufficient. These surfaces have to be polished afterwards.

Radii: As for the necessary radii (r) please refer to the respective profile data or the applicable standards.

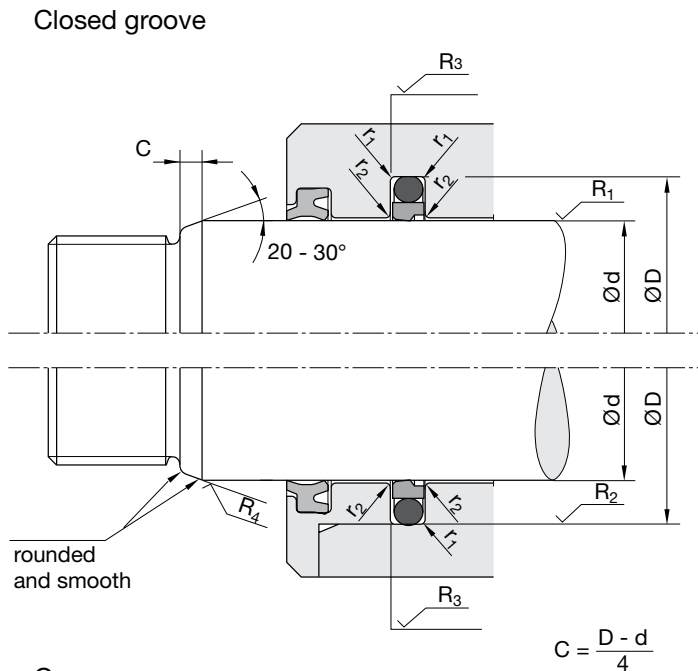


Fig. 4.9 Slipper Seal®, rod-type

Surfaces

Dynamic sealing surfaces

For rubber and PTFE products

$R_1; R_2$ 1.0 μm / R_a 0.2 μm

$80\% \leq *t_{p1} \leq 95\%$

For polyurethane products

$R_1; R_2$ 1.6 μm / R_a 0.4 μm

$60\% \leq *t_{p1} \leq 80\%$

Static sealing surfaces

$R_2; R_3$ 6.3 μm / R_a 0.8 μm

$*t_{p2} \geq 60\%$

Non-sealing surfaces and lead-in chamfers

$R_3; R_4$ 16 μm / R_a 4 μm

$R_1; R_2$ 10 μm / R_a 1.6 μm

* Measured in a depth of 25 % of the R_t -value based on a reference level (zero line) set at 5 % bearing area.

Installation guidelines for PTFE seals

The grooves must be carefully cleaned and deburred. The rods must have a lead-in chamfer (see picture on previous page).

We recommend open-groove designs for rod diameters smaller than 30 mm as these rings are prone to breaking if deformed as described above.

Assembly instruction for PTFE seals

First the O-ring must be installed in the groove. Then the rod seal should be carefully formed into a kidney shape without sharp bends as shown in fig. 4.10. This deformed ring is placed in the groove and rounded with the aid of a pin.

Fig. 4.10: Another type of installation aid. It consists of a metal pin which has a female cone-shaped recess at one of its front-ends. The PTFE ring can be easily placed in the recess by manually deforming it (see fig. 4.11). Due to the reduced diameter the PTFE ring (still placed on the pin) can now be installed into the groove. After removal of the pin the PTFE ring can be pressed into the groove and re-formed.

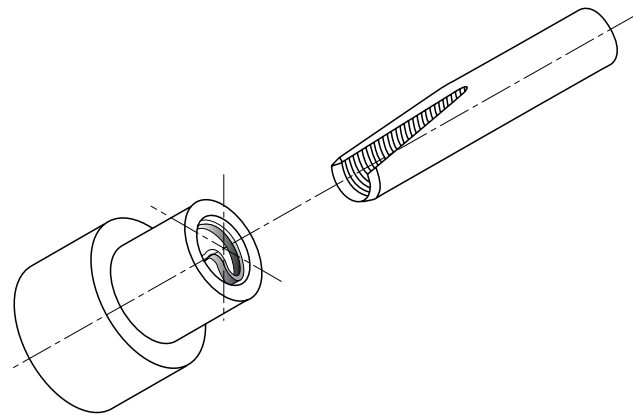


Fig. 4.10 Slipper Seal®, rod-type, installation 1

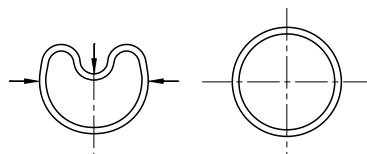


Fig. 4.11 Slipper Seal®, rod-type, installation 2

5.1 Anti-extrusion rings for FlexiSeals®

Anti-extrusion rings are used when it is not possible for the seal to maintain an extrusion gap below the maximum recommended value. Anti-extrusion rings are typically made of polymer compounds that are more resistant to high-pressures than the seal material. They are installed behind the seal, providing a smaller extrusion gap and allowing the seal to operate properly.

Parker offers anti-extrusion rings for use with FlexiSeals® or elastomeric O-rings. Refer to the standard part numbering guidelines below for selecting the appropriate anti-extrusion ring for your application.

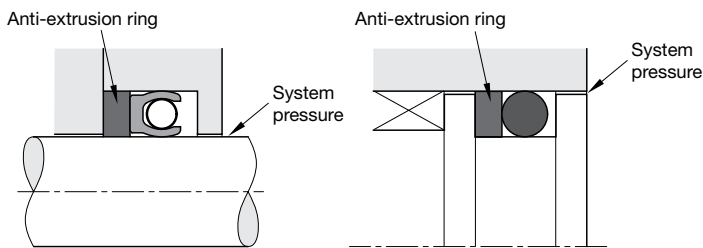


Fig. 5.1 Use of anti-extrusion rings with FlexiSeals® and O-rings

The FlexiSeal® anti-extrusion ring standard range is defined by the following part numbers which include all key design elements.

IXX M000000 00 000	
IX	Type of anti-extrusion ring: A, B, C or D (See table 5.1)
X	Indicate A, O or I (Same as FlexiSeal® for this groove)
M	M for metric units (mm)
000000	Groove diameter (mm specified to 2 decimal places; same as FlexiSeal® for this groove)
00	Cross-section code (Same as FlexiSeal® for this groove)
000	Material

Fig. 5.2 Figure number

Extrusion gap up to 50 % above maximum recommended ³⁾		Extrusion gap up to 100 % above maximum recommended ³⁾	
A	B	C	D
single, plain ring	single, plain ring with scarf cut ¹⁾	2-piece, double-angled ring	2-piece, double-angled ring with scarf cut ^{1) 2)}

Notes

¹⁾ Scarf-cut rings are required for installation in partially or fully closed-grooves.

²⁾ Refer to fig. 5.3 for additional non-standard anti-extrusion ring configurations. (Please consult our consultancy service for assistance.)

³⁾ See table 3.13

Tab. 5.1 Standard anti-extrusion ring types for FlexiSeals®

The use of anti-extrusion rings requires an increase to the standard groove width G, which is provided in chapter 4.3.4. To allow for proper installation, the standard groove width should be increased as follows.

Nominal cross-section	Cross-section code	IAX and IBX (mm)	ICX and ICX (mm)
1/16"	01	1.5	2.8
3/32"	02	2.0	3.3
1/8"	03	2.5	3.8
3/16"	04	3.0	4.6
1/4"	05	3.5	5.5
3/8"	06	5.0	7.4
1/2"	07	6.5	9.3

Tab. 5.2 Increase of standard groove width for standard anti-extrusion rings for FlexiSeal®

Ordering example

IAO M010000 04 004	(to be used together with BAO M010000 04 002 1)
IAO	Anti-extrusion ring type (plain, uncut ring, linked to seal type BAO)
M	metric
010000	Groove outer diameter (100 mm)
04	Cross-section code
004	Material code (PTFE + bronze)



Fig. 5.3 Non-standard anti-extrusion ring configurations for FlexiSeals®



Polon® anti-extrusion rings (back-up rings) are used for static and dynamic applications in connection with O-rings, to prevent extrusion of the O-ring into the diametral clearance.

The single cut and spiral design rings are easily installed into closed grooves while the single solid design, recommended for highest pressures, is for installation in open groove.

Polon® anti-extrusion rings for O-rings are available in three versions:

- XA: Single turn continuous
- XB: Single turn scarf cut
- XC: Spiral cut

- Insensitive to pressure peaks.
- High extrusion resistance.
- Excellent media resistance in case of suitable compound selection.
- Suitable compounds available for special requirements of the chemical process industry.
- Suitable compounds available for special requirements of the food processing industry.
- Any desired nominal diameter available due to use of machining technique.
- Installation in closed and undercut housings.

Range of application

We recommend to specify anti-extrusion rings when at least one of the following working conditions is present in cases where the intention is to seal with O-rings only:

- Pressure above 70 bar (7MPa)
- Diametral clearance exceeding 0.25 mm at $p > 10$ bar (1MPa)
- High stroke frequency
- High temperatures
- Contaminated medium
- Strong pressure pulsing or pressure changes

Compounds

Polon® 001, virgin PTFE.

Installation

In case of single-acting O-rings, it is sufficient to install only one anti-extrusion ring on the leeward side of the O-rings. In case of double-acting sealing, two anti-extrusion rings are required.

Installation grooves should basically be produced with a rectangular cross-section (parallel side walls). If this for machining reasons is impossible, max. deviation of 5° is allowed.

A spiral anti-extrusion ring consists of two spiral windings which are cut at the ends and allows for compensating for large temperature variations and tolerances by means of a screw-like elongation or contraction. Only to be used in reciprocating applications.

In case of single-acting O-rings, it is sufficient to install only one anti-extrusion ring on the downstream side of the O-ring. In case of a double-acting sealing function, two anti-extrusion rings are required at each side of the O-ring.

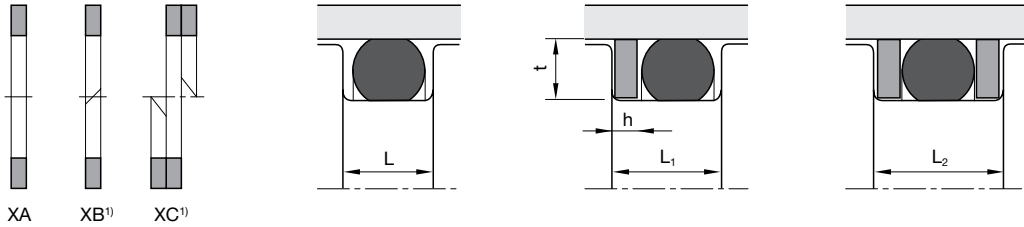
Installation grooves should preferably be made with parallel side walls. If for machining reasons this is not possible, a maximum deviation of 5° is allowed.

Anti-extrusion rings with concave face on the O-ring side are recommended in case of wide or out-of-tolerance bores and shafts. Additionally, this type of anti-extrusion ring extends the operating pressure of the O-ring and its specific shape tends to keep the O-ring round, even under high-pressure, resulting in better seal performance.

In case of special operating conditions (specific pressure loads, temperature, speed, use in water, HFA, HFB fluids etc.), please contact our consultancy service for a selection of the material and design best suiting your particular application requirements.

¹⁾ Scarf-cut rings are required for installation in partially or fully closed-grooves.

²⁾ XA: single solid, XB: single cut, XC: spiral cut

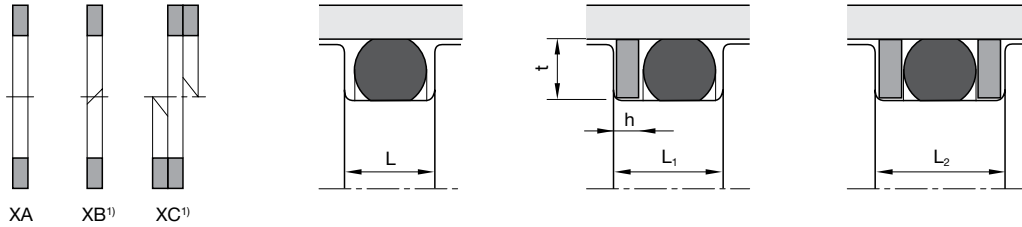


For surface finish, lead in chamfer and other installation dimensions see „General installation guidelines“.

Housing dimensions

Series no.	Series no.	Series no.	Cross-section	O-ring cross-section	Anti-extrusion ring	Groove depth			Groove width		
						static	dynamic hydraulic	dynamic pneumatic	without anti-extrusion ring	one anti-extrusion ring	two anti-extrusion rings
XA	XB	XC		(mm)	h (mm)	(X)	(Y)	(Z)	L (mm)		
0901	0902	0903	A	1.78	1.0 ^{±0.1}	1.30 ^{±0.05}	1.45 ^{±0.02}	1.55 ^{±0.02}	2.4 ^{+0.2/-0.0}	3.4 ^{+0.2/-0.0}	4.4 ^{+0.2/-0.0}
0901	0902	0903	B	2.00	1.0 ^{±0.1}	1.50 ^{±0.05}	1.65 ^{±0.02}	1.75 ^{±0.02}	2.7 ^{+0.2/-0.0}	3.7 ^{+0.2/-0.0}	4.7 ^{+0.2/-0.0}
0901	0902	0903	C	2.40	1.5 ^{±0.1}	1.85 ^{±0.05}	2.00 ^{±0.02}	2.10 ^{±0.02}	3.3 ^{+0.2/-0.0}	4.7 ^{+0.2/-0.0}	6.1 ^{+0.2/-0.0}
0901	0902	0903	D	2.50	1.5 ^{±0.1}	1.95 ^{±0.05}	2.10 ^{±0.02}	2.20 ^{±0.02}	3.4 ^{+0.2/-0.0}	4.9 ^{+0.2/-0.0}	6.4 ^{+0.2/-0.0}
0901	0902	0903	E	2.62	1.5 ^{±0.1}	2.05 ^{±0.05}	2.25 ^{±0.02}	2.35 ^{±0.02}	3.6 ^{+0.2/-0.0}	5.1 ^{+0.2/-0.0}	6.6 ^{+0.2/-0.0}
0901	0902	0903	F	3.00	1.5 ^{±0.1}	2.40 ^{±0.05}	2.55 ^{±0.02}	2.70 ^{±0.02}	4.2 ^{+0.2/-0.0}	5.7 ^{+0.2/-0.0}	7.2 ^{+0.2/-0.0}
0901	0902	0903	G	3.53	1.5 ^{±0.1}	2.85 ^{±0.07}	3.10 ^{±0.05}	3.25 ^{±0.05}	4.8 ^{+0.2/-0.0}	6.3 ^{+0.2/-0.0}	7.8 ^{+0.2/-0.0}
0901	0902	0903	H	4.00	1.5 ^{±0.1}	3.25 ^{±0.07}	3.50 ^{±0.05}	3.65 ^{±0.05}	5.4 ^{+0.2/-0.0}	6.9 ^{+0.2/-0.0}	8.4 ^{+0.2/-0.0}
0901	0902	0903	I	5.00	2.0 ^{±0.1}	4.15 ^{±0.10}	4.45 ^{±0.05}	4.65 ^{±0.05}	6.8 ^{+0.2/-0.0}	8.8 ^{+0.2/-0.0}	10.8 ^{+0.2/-0.0}
0901	0902	0903	J	5.33	2.0 ^{±0.1}	4.40 ^{±0.10}	4.70 ^{±0.05}	4.90 ^{±0.05}	7.2 ^{+0.2/-0.0}	9.2 ^{+0.2/-0.0}	11.2 ^{+0.2/-0.0}
0901	0902	0903	K	5.70	2.0 ^{±0.1}	4.70 ^{±0.10}	5.10 ^{±0.05}	5.30 ^{±0.05}	7.7 ^{+0.2/-0.0}	9.9 ^{+0.2/-0.0}	12.0 ^{+0.2/-0.0}
0901	0902	0903	L	6.99	2.5 ^{±0.1}	5.85 ^{±0.10}	6.25 ^{±0.05}	6.55 ^{±0.05}	9.6 ^{+0.2/-0.0}	12.1 ^{+0.2/-0.0}	14.6 ^{+0.2/-0.0}
0901	0902	0903	M	8.40	2.5 ^{±0.1}	7.00 ^{±0.10}	7.55 ^{±0.05}	7.90 ^{±0.05}	11.5 ^{+0.2/-0.0}	14.6 ^{+0.2/-0.0}	17.6 ^{+0.2/-0.0}
0901	0902	0903	N	1.78	1.4 ^{±0.1}	1.30 ^{±0.05}	1.45 ^{±0.02}	1.55 ^{±0.02}	2.4 ^{+0.2/-0.0}	3.8 ^{+0.2/-0.0}	5.2 ^{+0.2/-0.0}
0901	0902	0903	O	2.00	1.4 ^{±0.1}	1.50 ^{±0.05}	1.65 ^{±0.02}	1.75 ^{±0.02}	2.7 ^{+0.2/-0.0}	4.1 ^{+0.2/-0.0}	5.5 ^{+0.2/-0.0}
0901	0902	0903	P	2.40	1.4 ^{±0.1}	1.80 ^{±0.05}	2.05 ^{±0.02}	2.10 ^{±0.02}	3.2 ^{+0.2/-0.0}	4.6 ^{+0.2/-0.0}	6.0 ^{+0.2/-0.0}
0901	0902	0903	Q	2.50	1.4 ^{±0.1}	1.90 ^{±0.05}	2.15 ^{±0.02}	2.20 ^{±0.02}	3.3 ^{+0.2/-0.0}	4.7 ^{+0.2/-0.0}	6.1 ^{+0.2/-0.0}
0901	0902	0903	R	2.62	1.4 ^{±0.1}	2.00 ^{±0.05}	2.25 ^{±0.02}	2.35 ^{±0.02}	3.6 ^{+0.2/-0.0}	5.0 ^{+0.2/-0.0}	6.4 ^{+0.2/-0.0}
0901	0902	0903	T	3.00	1.4 ^{±0.1}	2.30 ^{±0.05}	2.60 ^{±0.02}	2.70 ^{±0.02}	4.0 ^{+0.2/-0.0}	5.4 ^{+0.2/-0.0}	6.8 ^{+0.2/-0.0}
0901	0902	0903	U	3.53	1.4 ^{±0.1}	2.70 ^{±0.07}	3.10 ^{±0.05}	3.25 ^{±0.05}	4.8 ^{+0.2/-0.0}	6.2 ^{+0.2/-0.0}	7.6 ^{+0.2/-0.0}
0901	0902	0903	V	4.00	1.4 ^{±0.1}	3.10 ^{±0.07}	3.50 ^{±0.05}	3.65 ^{±0.05}	5.5 ^{+0.2/-0.0}	6.9 ^{+0.2/-0.0}	8.6 ^{+0.2/-0.0}
0901	0902	0903	W	5.00	1.7 ^{±0.1}	4.00 ^{±0.10}	4.40 ^{±0.05}	4.65 ^{±0.05}	6.6 ^{+0.2/-0.0}	8.3 ^{+0.2/-0.0}	10.0 ^{+0.2/-0.0}
0901	0902	0903	X	5.33	1.7 ^{±0.1}	4.30 ^{±0.10}	4.70 ^{±0.05}	4.90 ^{±0.05}	7.1 ^{+0.2/-0.0}	8.8 ^{+0.2/-0.0}	10.5 ^{+0.2/-0.0}
0901	0902	0903	Y	5.70	1.7 ^{±0.1}	4.60 ^{±0.10}	5.00 ^{±0.05}	5.30 ^{±0.05}	7.2 ^{+0.2/-0.0}	8.9 ^{+0.2/-0.0}	10.6 ^{+0.2/-0.0}
0901	0902	0903	Z	6.99	2.5 ^{±0.1}	5.80 ^{±0.10}	6.10 ^{±0.05}	6.55 ^{±0.05}	9.5 ^{+0.2/-0.0}	12.0 ^{+0.2/-0.0}	14.5 ^{+0.2/-0.0}

5 Anti-extrusion rings



¹) Scarf-cut rings are required for installation in partially or fully closed-grooves.

²) XA: single solid, XB: single cut, XC: spiral cut

For surface finish, lead in chamfer and other installation dimensions see „General installation guidelines“.

Ordering example

Groove outer diameter 100 mm
 O-ring 2.5 mm
 Design XA (endless)
 Application static

XA 1000 001 0901X D (96.1 × 100 × 1.5)

XA	Profile	
1000	Groove outer diameter × 10	
001	Compound	
0901X	Series no.	
	0901X	static
	0901Y	dynamic hydraulic
	0901Z	dynamic pneumatic
D	Cross-section	

Ordering example

Groove inner diameter 60 mm
 Groove outer diameter OD = ID + 2S
 O-ring 5.33 mm
 Design XB (single cut)
 Application dynamic hydraulic

XB 0694 001 0902Y J (60 × 69.4 × 2)

XB	Profile	
0694	Groove outer diameter × 10	
001	Compound	
0902Y	Series no.	
	0902X	static
	0902Y	dynamic hydraulic
	0902Z	dynamic pneumatic
J	Cross-section	

5.2 Anti-extrusion ring materials

Table 5.3 shows a selection of Parker's preferred anti-extrusion ring materials.

Please start by making an initial, possibly multiple, selection of all materials with appropriate application descriptions and service

temperature ranges. The final selection may then be made using the performance rating values for a material with the best combination of characteristics for the intended service.

For guidance on selecting a material other than the ones listed (i.e. filled PEEK, polyimide, filled PTFE, ...) please contact our consultancy service.

Compound code	Polymer base	Colour	Temperature range ¹⁾ (°C)		Pressure / extrusion resistance ²⁾	Chemical compatibility ²⁾	FDA-compliant	NORSOK M-710 compliant	Min. recommended dyn. surface hardness (HRC)	Remarks
Polon® 001	Virgin PTFE	white	-260	260	1	5	•		25	<ul style="list-style-type: none"> • low-strength material • only used in combination with elastomeric O-rings
Polon® 004	PTFE + bronze	bronze	-260	300	5	2			45	<ul style="list-style-type: none"> • limitations in use because of chemical compatibility
Polon® 007	PTFE + carbon/graphite	black	-260	300	4	4			50	<ul style="list-style-type: none"> • particularly suited for highly corrosive service • widely used in dynamic steam and water applications • performs well in non-lubricated dynamic systems
Polon® 013	PTFE + glas fibre	white	-260	300	3	4			60	<ul style="list-style-type: none"> • only to be used against hard dynamic mating surfaces • do not use with strong bases or hydrofluoric acid
Polon® 015	Virgin PEEK	tan	-200	315	9	4	•	•	50	<ul style="list-style-type: none"> • very strong material with high temperature resistance • static use or slow, intermittently dynamic
Polon® 025	PTFE + glas fibre	dark green	-260	300	3	4			60	<ul style="list-style-type: none"> • only use on very hard mating surfaces in case of dynamic service • do not use with strong bases or hydrofluoric acid
Polon® 031	modified PTFE + glas fibre	ivory	-260	300	5	4		•	60	<ul style="list-style-type: none"> • only to be used against hard dynamic mating surfaces • do not use with strong bases or hydrofluoric acid
Polon® 045	PTFE + carbon fibre	black	-260	280	4	4		•	50	<ul style="list-style-type: none"> • excellent wear behaviour in aqueous environment
nobrox® W61	PK	orange brown	-40	120	5	3			35	<ul style="list-style-type: none"> • excellent wear resistance
Polon® 0K2	Reinforced lubricated PEEK	black	-200	315	10	4		•	50	<ul style="list-style-type: none"> • very strong material with high temperature resistance • intended for dynamic service

Note

¹⁾ High temperature end is subjected to extrusion gap guidelines.

²⁾ 1 is lowest, 10 is highest rating

Tab. 5.3 Anti-extrusion ring materials

Guide rings and tapes prevent metallic contact between pistons and cylinders or rods and glands where forces act perpendicular to the direction of movement.

These lateral forces (F) lead to a pressure distribution as shown in fig. 6.1. In practice, calculation based on the projected surface has proved to be a simple and more useful method. This means that the load carrying area (A) can be calculated from the length (H) multiplied by the diameter (D) (see fig. 6.2). The surface obtained is about 5 times larger than the assumed bearing area of fig. 6.1, so that lower specific loads must be reckoned with. In order to obtain the same values for lateral forces " F ", the specific load must be only $\frac{1}{5}$ of the max. force shown in fig. 6.1. The indicated permissible specific forces ($F_{perm.}$) take this into account, and the admissible specific pressure mentioned relates to the projected area as shown in fig. 6.2.

The values of the gaps (e) or shoulder diameters specified on drawings and Tables guarantee maximum efficiency of the guiding elements.

For operation together with a seal, however, the extrusion gap (e) specified for this particular seal is most important. Especially under high pressure the maximum gap behind the seal must be the basis for the determination of the piston-shoulder diameter between seal and guide tape (refer to chapter "Maximum gap allowance"). If the specified nominal measurements and tolerances are used to calculate the groove bottom diameter of the guide tapes, optimum guidance quality will be obtained and metallic contact prevented.

Figure:
 H = Length of the guiding tape

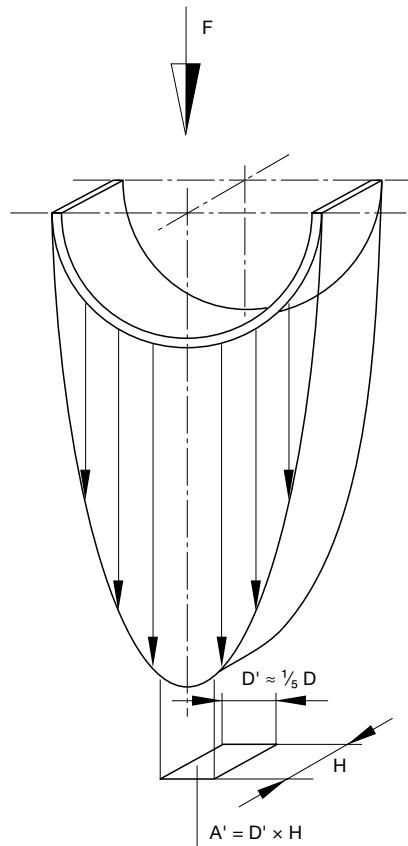


Fig. 6.1 Pressure distribution on bearing area

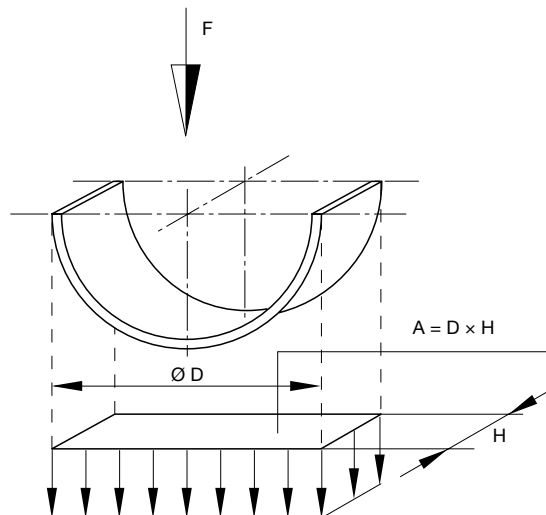

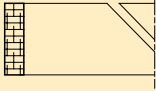



Fig. 6.2 Simplified pressure distribution on bearing area

Profile cross-section	Profile reference	Page
Guiding elements		
	F2	178
	F3	182
	FS	188



The F2 guiding tape made of PTFE compounds is intended specifically for use in pneumatic cylinders. The edges of the guiding tape have been adapted to the application conditions in pneumatics. The length of the cut-to-size guiding tape results in a suitable gap during installation which allows the system pressure to pass toward the seal, taking thermal expansions into account. The resulting gap is preferably created at a 45 ° angle in order to enable a minimum guidance function under load in the direction of the gap. Alternative gap versions (straight cut, stepped cut) are possible. The PTFE compound should be selected depending on temperature and the permissible permanent deformation .

- Due to application-optimized geometry and compounds suitable for use in oiled as well as in oil-free air (after initial lubrication on assembly).
- Vibration absorption effect.
- Very good emergency running properties in low-lube conditions.
- High load capacity (compressive strength), low wear and reduced friction due to special carbon additive in PTFE material.
- Also available as bulk material.
- Any desired nominal diameter available due to use of machining technique.
- Suitable for cylinder repairs.
- Ideally suited for large-diameters.
- Bulk material.
- Installation in closed housings.

Range of application

Operating temperature	-100 °C to +200 °C
Sliding speed	≤ 10 m/s
Specific load q at 100 °C	2.5 N/mm ²

Compounds

Polon® 033, PTFE + 25 % carbon.

Installation

The gap dimensions „e“ guarantee an optimum service life of the guiding tapes. For the seals, however, the gaps as mentioned on the respective catalogue pages are to be considered when it is essential to observe full working conditions („Range of Application“).

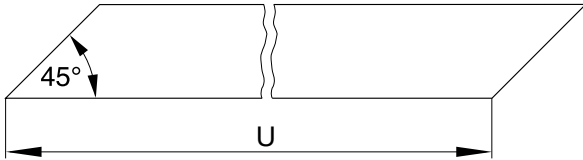
The inner diameter of the groove can be calculated by:

$$d = D - 2S.$$

The gap „e“ between cylinder and piston is the maximum value and should not be exceeded.

In case of special operating conditions (specific pressure loads, temperature, speed, use in water, HFA, HFB fluids etc.), please contact our consultancy service for a selection of the material and design best suiting your particular application requirements.

Calculation of the stretched length „U“



The length „U“ of the tape is to be calculated from the mean circumferential length less the clearance at the joint „k“. The k-values stated in the table are based on a temperature rise of 120 °C.

Calculation of the stretched length „U“

Cylinder Ø D ^{H11}	Piston	Stretched length U		Gap
			Tolerance	k
≤ 45	U = π · (D - S) - k		± 0.25	1.8
> 45			± 0.40	3.5
> 80			± 0.60	4.4
> 100			± 0.80	5.6
> 125			± 1	6.6
> 150			± 1.20	8.0
> 180			± 1.40	9.5
> 215			± 1.60	12.0
> 270			± 1.80	15.5
> 330			± 2	19.0

Selection of the guiding height H

The height H of the guiding tape has to be calculated for the worst possible conditions considering the maximum radial force. The specific load at the tape should in case of working temperatures of $\leq 100\text{ }^\circ\text{C}$ not exceed $q = 2.5\text{ N/mm}^2$. The calculation of this figure is based on the area from the projection of the height H of the guiding tape multiplied by the cylinder diameter D. The maximum permissible radial force $F_{perm.}$ can be obtained with the formula:

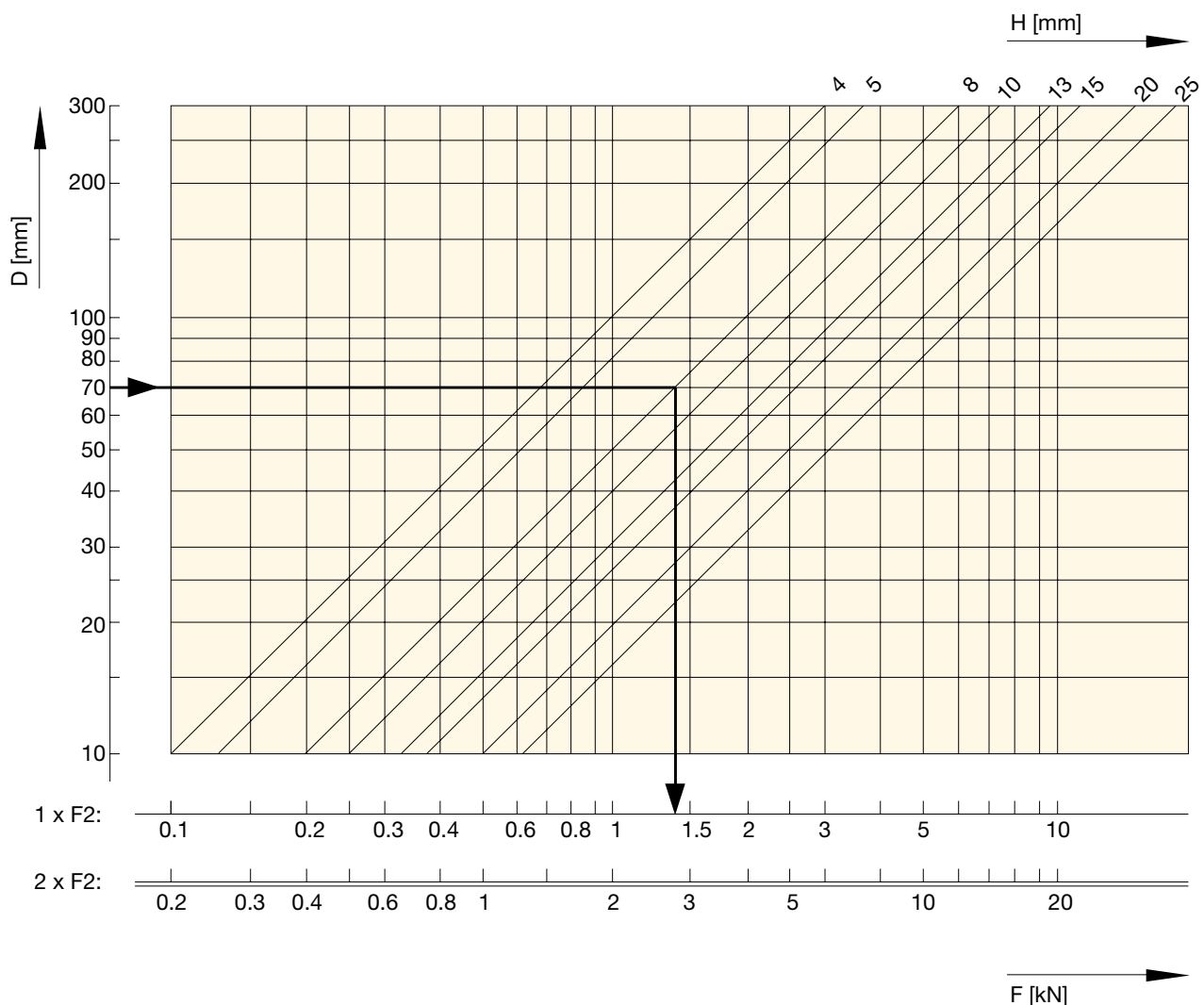
$$F_{perm.} = H \times D \times q_{perm.}$$

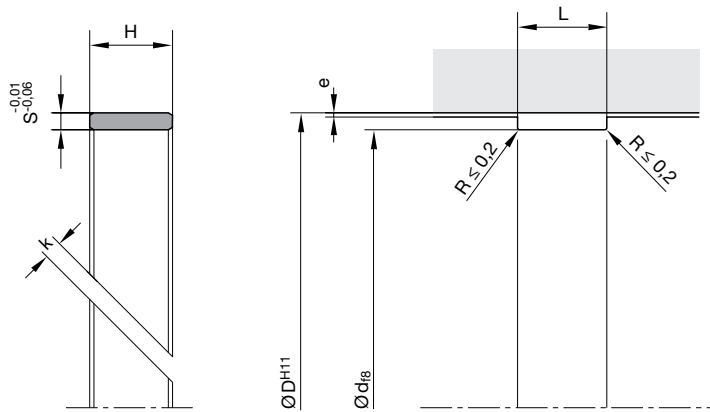
Specific data can be found in the nomograph.

Example:

A guiding tape diameter D of 70 mm and a guiding tape height of 8 mm result in a maximum permissible radial force of 1.4 kN or 1400 N.

Nomograph for calculating of the specific load





For surface finish, lead in chamfer and other installation dimensions see „General installation guidelines“.

Housing dimensions

Series no.	Guiding tape		Groove		
	S (mm)	L (mm)	H (mm)	d (mm)	e (mm)
15040	1.55	4 ^{+0.1}	3.9 ^{-0.15}	D - 3.1	0.25
15050	1.55	5 ^{+0.1}	4.9 ^{-0.15}	D - 3.1	0.25
15080	1.55	8 ^{+0.1}	7.8 ^{-0.20}	D - 3.1	0.25
15090	1.55	9 ^{+0.1}	8.8 ^{-0.20}	D - 3.1	0.25
15100	1.55	10 ^{+0.1}	9.8 ^{-0.20}	D - 3.1	0.25
15120	1.55	12 ^{+0.1}	11.8 ^{-0.20}	D - 3.1	0.25
15130	1.55	13 ^{+0.1}	12.8 ^{-0.20}	D - 3.1	0.35
15150	1.55	15 ^{+0.1}	14.8 ^{-0.20}	D - 3.1	0.35
15200	1.55	20 ^{+0.1}	19.5 ^{-0.40}	D - 3.1	0.35
15250	1.55	25 ^{+0.1}	24.5 ^{-0.40}	D - 3.1	0.35

Ordering example

Mating surface aluminium
 Piston diameter 32 mm
 Groove 1,5 × 4 mm

a) by the metre F2 0000 033 15040 A (4 × 1.5)
 F2 Profile
 0000 -
 033 Compound
 15040 Series no.
 A Type of cut (45°)

b) cut to length F2 0320 033 15040 A (4 × 1.5 × 94)
 F2 Profile
 0320 Piston diameter × 10
 PS033 Compound
 15040 Series no.
 A Type of cut (45°)



The F3 guiding tape made of PTFE compounds is specifically intended for use in hydraulic cylinders. The length of the cut-to-size guiding tape results in a suitable gap that allows the system pressure to pass toward the seal, taking thermal expansions into account. The resulting gap is preferably created at a 45 ° angle in order to enable a minimum guidance function under load in the direction of the gap. Alternative gap versions (straight cut, stepped cut) are possible.

The PTFE compound should be selected depending on temperature and the permissible permanent deformation .

- Vibration absorption effect.
- Very good emergency running properties in low-lube conditions.
- High load capacity (compressive strength), low wear and reduced friction due to special bronze additive in PTFE material.
- Also available as bulk material.
- Any desired nominal diameter available due to use of machining technique.
- Suitable for cylinder repairs.
- Ideally suited for large-diameters.
- Installation in closed and undercut housings.

Range of application

Operating temperature	-100 °C to +200 °C
Sliding speed	≤ 5 m/s

Compounds

Standard: Polon® 052, PTFE + 40 % bronze.

On request: Polon® 062, PTFE + 60 % bronze.

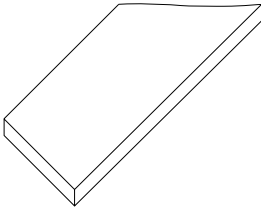
For cylinders made of alloys, light metal and high-grade steel, we recommend the use of compound Polon® 033 (PTFE + 25 % carbon).

Installation

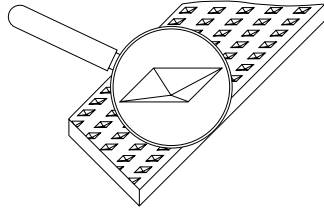
The gap dimensions “e” guarantee an optimum service life of the guidance tapes. For the seals, however, the gaps “e” as mentioned on the respective catalogue pages are to be considered when it is essential to observe full operating conditions („Range of Application“) for the seals.

In case of special operating conditions (specific pressure loads, temperature, speed, use in water, HFA, HFB fluids etc.), please contact our consultancy service for a selection of the material and design best suiting your particular application requirements.

Surfaces

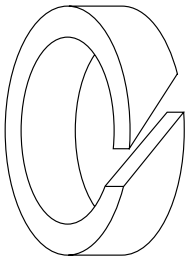


Guiding tape F3:
smooth (standard)

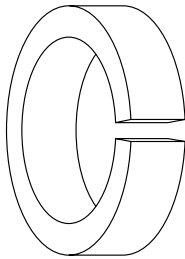


Guiding tape FW:
structured (on request)

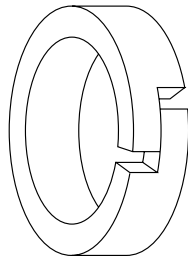
Cut types



Type A
(angle-cut)



Type S
(straight-cut)

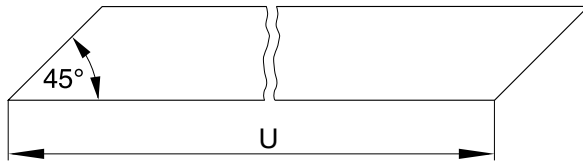


Type Z
(step-cut)

Types A and S are used for bearings where it is imperative that the system pressure is carried on to the seals. They are designed as „open bearings“ with a well defined gap.

Type Z is a closed bearing, which in certain applications is used as a combined seal and bearing.

Calculation of the stretched length „U“



The length „U“ of the tape is to be calculated from the mean circumferential length less the clearance at the joint „k“. The k-values stated in the table are based on a temperature rise of 120 °C. (S = thickness of the guiding tape.)

Calculation of the stretched length „U“

Cylinder Ø D Rod diameter d (mm)	Stretched length U		Tolerance (mm)	Gap k (mm)
	Piston	Rod		
≤ 45			± 0.25	1.8
> 45			± 0.4	3.5
> 80			± 0.6	4.4
> 100			± 0.8	5.6
> 125	$U = \pi \times (D - S) - k$	$U = \pi \times (d + S) - k$	± 1	6.6
> 150			± 1.2	8
> 180			± 1.4	9.5
> 215			± 1.6	12
> 270			± 1.8	15.5
> 330			± 2	19

Selection of the axial guiding width L

Choose the appropriate curve for the applicable guide tolerances. Note that the more precise the guidance, the lower the value for the selected ϵ .

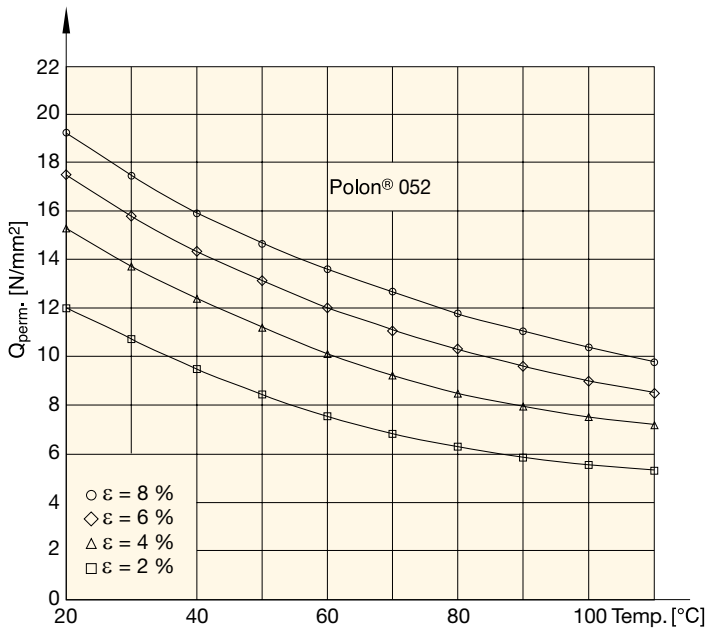
The following formula provides the minimum guidance width:

$$L \geq \frac{F}{Q (d_i - k \cdot \sqrt{2})}$$

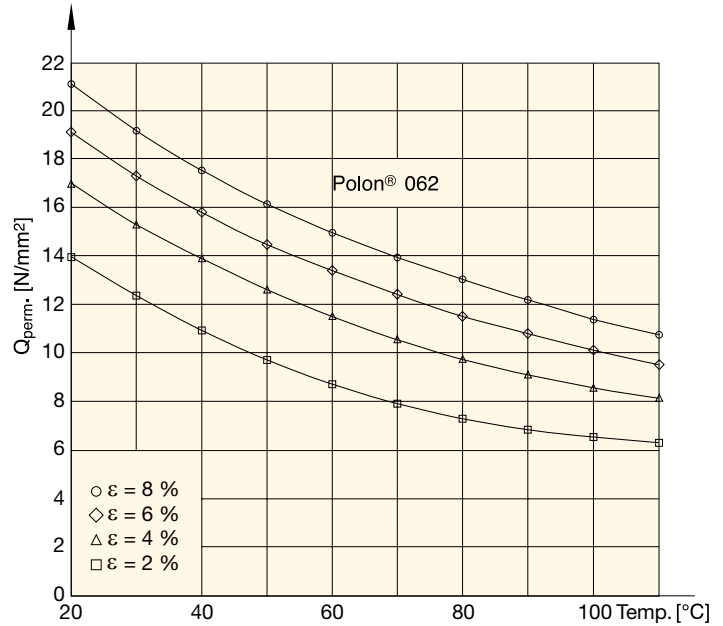
- d = inner diameter [mm]
- k = gap [mm]
- L = guidance width [mm]
- $Q_{perm.}$ = permissible specific load [N/mm²]
- F = lateral force [N]

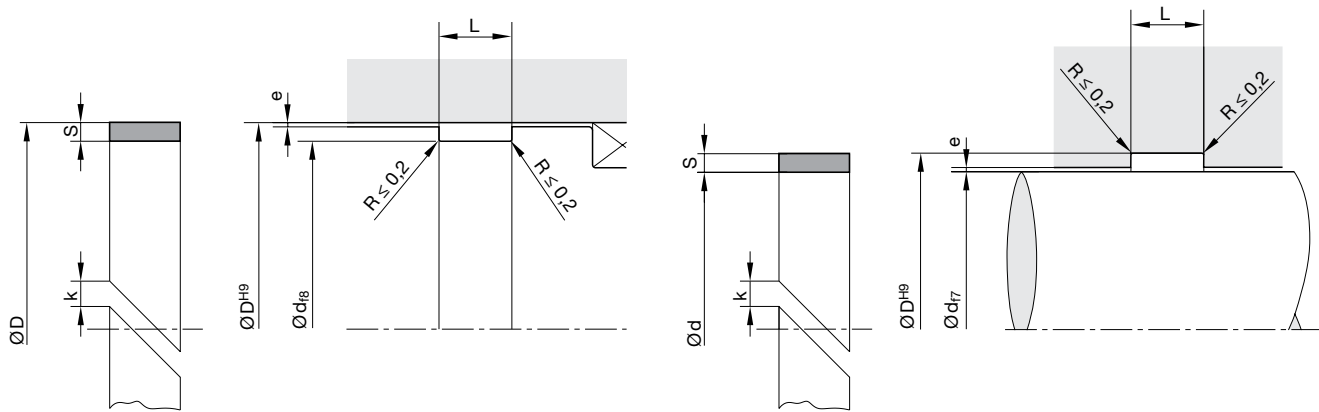
We recommend that the largest possible guidance length always be used even if the calculation yields a smaller value.

Permissible specific load $Q_{perm.}$ in relation to temperature t and the respective permanent set ϵ for the compounds Polon® 052:



Permissible specific load $Q_{perm.}$ in relation to temperature t and the respective permanent set ϵ for the compounds Polon® 062:

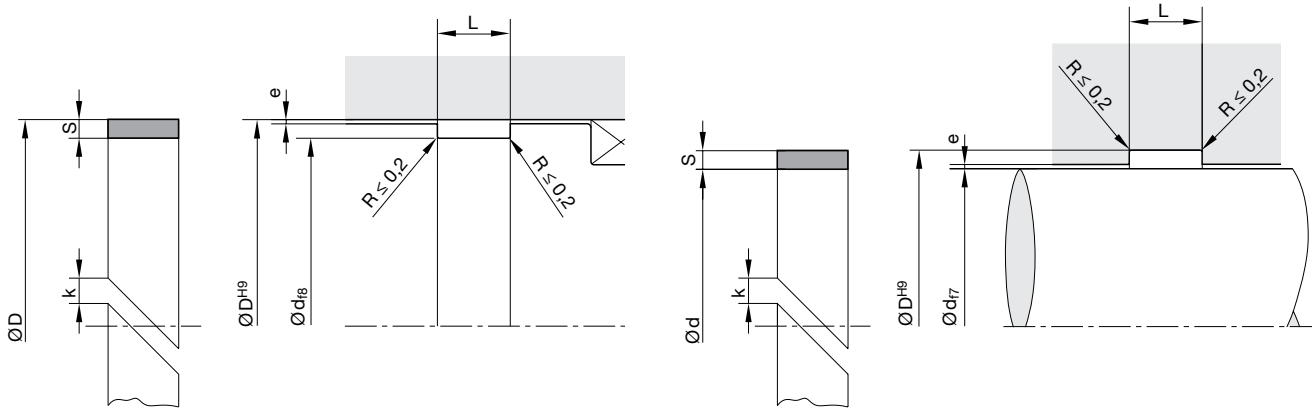




For surface finish, lead in chamfer and other installation dimensions see „General installation guidelines“.

Housing dimensions

Series no.	Recommended rod Ø range	Guiding tape		Groove		
		d/D (mm)	S (mm)	L (mm)	d (mm)	D (mm)
15063	≤ 50	1.50 ^{+0.02} _{-0.03}	6.3 ^{+0.1}	D - 3.0	d + 3.0	0.25
15081	≤ 50	1.50 ^{+0.02} _{-0.03}	8.1 ^{+0.1}	D - 3.0	d + 3.0	0.25
15100	≤ 50	1.50 ^{+0.02} _{-0.03}	10.0 ^{+0.1}	D - 3.0	d + 3.0	0.25
15150	≤ 50	1.50 ^{+0.02} _{-0.03}	15.0 ^{+0.1}	D - 3.0	d + 3.0	0.25
16025	≤ 50	1.55 ^{+0.02} _{-0.03}	2.5 ^{+0.1}	D - 3.1	d + 3.1	0.25
16040	≤ 51	1.55 ^{+0.02} _{-0.03}	4.0 ^{+0.1}	D - 3.1	d + 3.1	0.25
20063	≤ 50	2.00 _{-0.05}	6.3 ^{+0.1}	D - 4.0	d + 4.0	0.30
20081	≤ 51	2.00 _{-0.05}	8.1 ^{+0.1}	D - 4.0	d + 4.0	0.30
20097	> 50	2.00 _{-0.05}	9.7 ^{+0.1}	D - 4.0	d + 4.0	0.30
20150	> 50	2.00 _{-0.05}	15.0 ^{+0.1}	D - 4.0	d + 4.0	0.30
20200	> 50	2.00 _{-0.05}	20.0 ^{+0.1}	D - 4.0	d + 4.0	0.30
25042	> 50	2.50 _{-0.05}	4.2 ^{+0.1}	D - 5.0	d + 5.0	0.40
25056	> 50	2.50 _{-0.05}	5.6 ^{+0.1}	D - 5.0	d + 5.0	0.40
25063	> 50	2.50 _{-0.05}	6.3 ^{+0.1}	D - 5.0	d + 5.0	0.40
25081	> 50	2.50 _{-0.05}	8.1 ^{+0.1}	D - 5.0	d + 5.0	0.40
25097	> 50	2.50 _{-0.05}	9.7 ^{+0.1}	D - 5.0	d + 5.0	0.40
25150	> 50	2.50 _{-0.05}	15.0 ^{+0.2}	D - 5.0	d + 5.0	0.40
25200	> 50	2.50 _{-0.05}	20.0 ^{+0.2}	D - 5.0	d + 5.0	0.40
25250	> 50	2.50 _{-0.05}	25.0 ^{+0.2}	D - 5.0	d + 5.0	0.40
25300	> 50	2.50 _{-0.05}	30.0 ^{+0.2}	D - 5.0	d + 5.0	0.40



For surface finish, lead in chamfer and other installation dimensions see „General installation guidelines“.

Ordering example piston guidance

Mating surface	steel
Surface	smooth
Piston diameter	80 mm
Groove	9.7 × 2.5 mm

a) by the metre	F3 0000 052 25097 A (9.7 × 2.5)
b) cut to length	F3 0800 052 25097 A (9.7 × 2.5 × 239)
F3	Profile
0800	Piston diameter × 10 (by the metre: 0000)
052	Compound
25097	Series no.
A	Type of cut

Ordering example rod guidance

Surface	structured
Rod diameter	50 mm
Groove outer diameter	OD = ID + 2S
Groove	6.3 × 2.5 mm
FW 0550 052 25063 A	(6.3 × 2.5 × 161.5)



The chamfered guiding tape profile FS is specially designed for use in hydraulic cylinders. This profile offers important features in comparison to the alternative standard profile F3.

The chamfers:

- compensate for the rounding in the bottom/top of the groove.
- support easy installation of hardware e.g. the cylinder tube. It functions as an additional “lead-in chamfer”.
- reduce the risk of cold-flow extrusion in the gap between the hardware.
- support the lubrication oil film between the guiding element and the opposing dynamic surface hardware.

- Vibration absorption effect.
- Very good emergency running properties in low-lube conditions.
- High load capacity (compressive strength), low wear and reduced friction due to special carbon additive in PTFE material.
- Also available as bulk material.
- Suitable for cylinder repairs.
- Ideally suited for large-diameters.
- Bulk material.
- Installation in closed and undercut housings.

Range of application

Operating temperature	-100 °C to +200 °C
Sliding speed	≤ 5 m/s

Compounds

Standard: Polon® 052, PTFE + 40 % bronze.

On request: Polon® 062, PTFE + 60 % bronze.

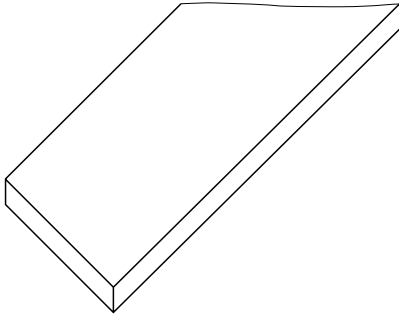
For cylinders made of alloys, light metal and high-grade steel, we recommend the use of compound Polon® 033 (PTFE + 25 % carbon).

Installation

The gap dimensions “e” guarantee an optimum service life of the guidance tapes. For the seals, however, the gaps “e” as mentioned on the respective catalogue pages are to be considered when it is essential to observe full operating conditions („Range of Application“) for the seals.

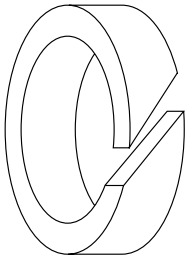
In case of special operating conditions (specific pressure loads, temperature, speed, use in water, HFA, HFB fluids etc.), please contact our consultancy service for a selection of the material and design best suited to your particular application requirements.

Surfaces

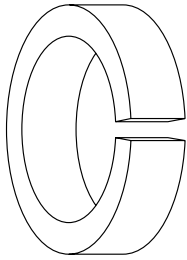


Guiding tape FS:
smooth (standard)

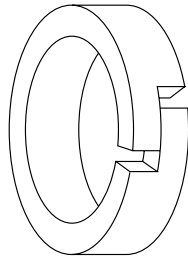
Cut types



Type A
(angle-cut)



Type S
(straight-cut)

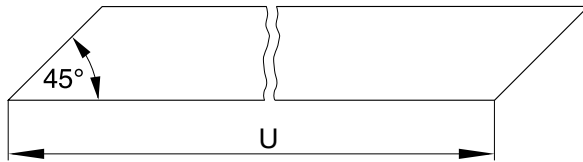


Type Z
(step-cut)

Types A and S are used for bearings where it is imperative that the system pressure is carried on to the seals. They are designed as „open bearings“ with a well defined gap.

Type Z is a closed bearing, which in certain applications is used as a combined seal and bearing.

Calculation of the stretched length „U“



The length „U“ of the tape is to be calculated from the mean circumferential length less the clearance at the joint „k“. The k-values stated in the table are based on a temperature rise of 120 °C. (S = thickness of the guiding tape.)

Calculation of the stretched length „U“

Cylinder Ø D Rod diameter d (mm)	Stretched length U		Tolerance (mm)	Gap k (mm)
	Piston	Rod		
≤ 45			± 0.25	1.8
> 45			± 0.4	3.5
> 80			± 0.6	4.4
> 100			± 0.8	5.6
> 125	$U = \pi \times (D + S) \cdot k$	$U = \pi \times (d + S) \cdot k$	± 1	6.6
> 150			± 1.2	8
> 180			± 1.4	9.5
> 215			± 1.6	12
> 270			± 1.8	15.5
> 330			± 2	19

Selection of the axial guiding width L

Choose the appropriate curve for the applicable guide tolerances. Note that the more precise the guidance, the lower the value for the selected ϵ .

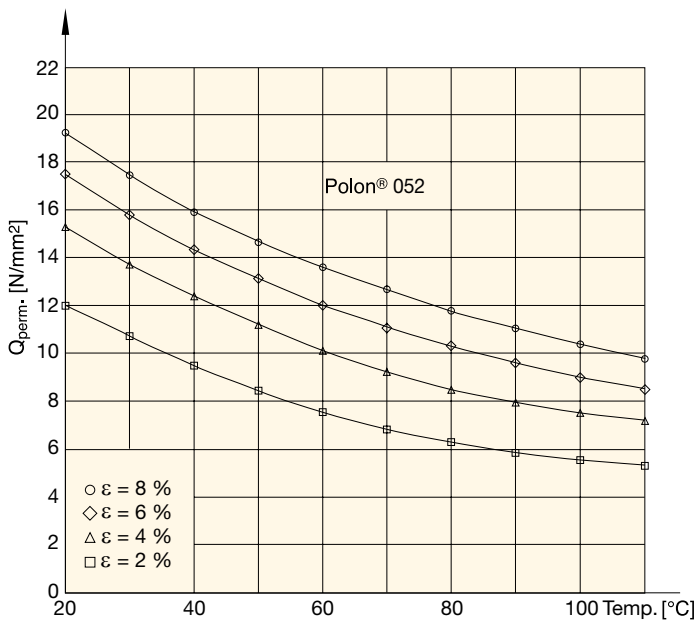
The following formula provides the minimum guidance width:

$$L \geq \frac{F}{Q (d_i - k \cdot \sqrt{2})}$$

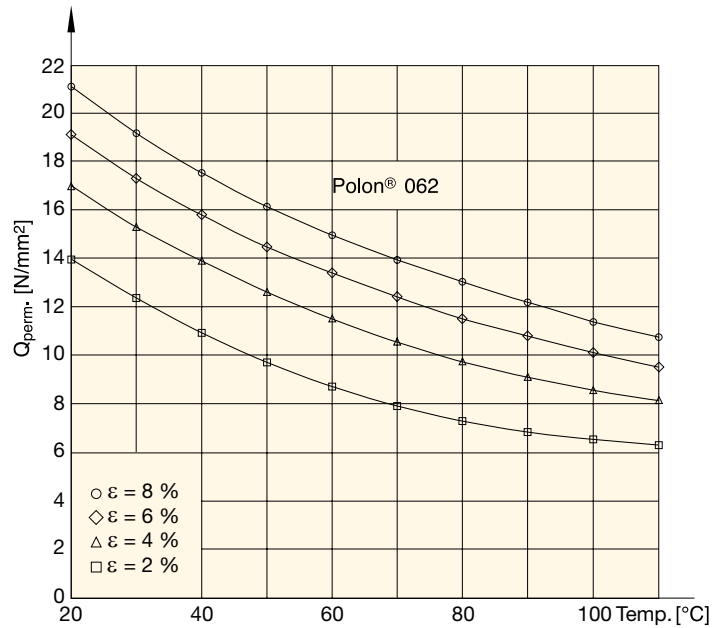
- d = inner diameter [mm]
- k = gap [mm]
- L = guidance width [mm]
- $Q_{perm.}$ = permissible specific load [N/mm²]
- F = lateral force [N]

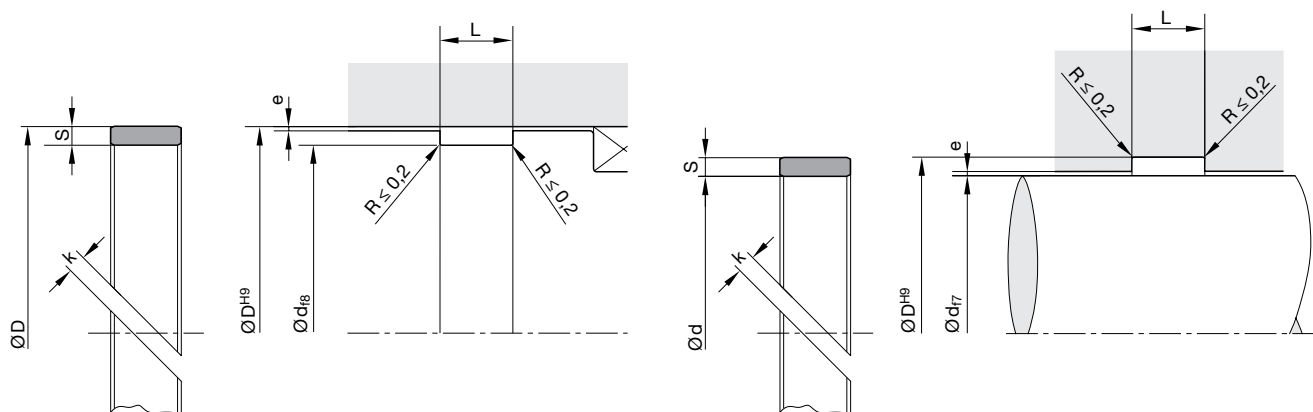
We recommend that the largest possible guidance length always be used even if the calculation yields a smaller value.

Permissible specific load $Q_{perm.}$ in relation to temperature t and the respective permanent set ϵ for the compounds Polon® 052:



Permissible specific load $Q_{perm.}$ in relation to temperature t and the respective permanent set ϵ for the compounds Polon® 062:

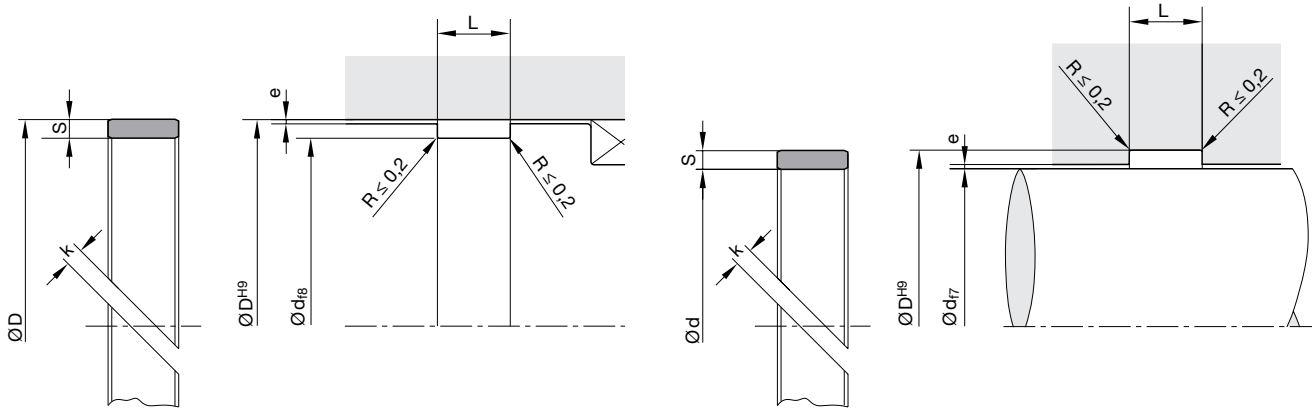




For surface finish, lead in chamfer and other installation dimensions see „General installation guidelines“.

Housing dimensions

Series no.	Recommended rod Ø range	Guiding tape			Groove		
		d/D (mm)	S (mm)	L (mm)	d (mm)	D (mm)	e (mm)
15063	≤ 50	1.50 ^{+0.02} _{-0.03}	6.3 ^{+0.1}	D - 3.0	d + 3.0	0.25	
15081	≤ 50	1.50 ^{+0.02} _{-0.03}	8.1 ^{+0.1}	D - 3.0	d + 3.0	0.25	
15100	≤ 50	1.50 ^{+0.02} _{-0.03}	10.0 ^{+0.1}	D - 3.0	d + 3.0	0.25	
15150	≤ 50	1.50 ^{+0.02} _{-0.03}	15.0 ^{+0.1}	D - 3.0	d + 3.0	0.25	
16025	≤ 50	1.55 ^{+0.02} _{-0.03}	2.5 ^{+0.1}	D - 3.1	d + 3.1	0.25	
16040	≤ 51	1.55 ^{+0.02} _{-0.03}	4.0 ^{+0.1}	D - 3.1	d + 3.1	0.25	
20063	≤ 50	2.00 _{-0.05}	6.3 ^{+0.1}	D - 4.0	d + 4.0	0.30	
20081	≤ 51	2.00 _{-0.05}	8.1 ^{+0.1}	D - 4.0	d + 4.0	0.30	
20097	> 50	2.00 _{-0.05}	9.7 ^{+0.1}	D - 4.0	d + 4.0	0.30	
20150	> 50	2.00 _{-0.05}	15.0 ^{+0.1}	D - 4.0	d + 4.0	0.30	
20200	> 50	2.00 _{-0.05}	20.0 ^{+0.1}	D - 4.0	d + 4.0	0.30	
25042	> 50	2.50 _{-0.05}	4.2 ^{+0.1}	D - 5.0	d + 5.0	0.40	
25056	> 50	2.50 _{-0.05}	5.6 ^{+0.1}	D - 5.0	d + 5.0	0.40	
25063	> 50	2.50 _{-0.05}	6.3 ^{+0.1}	D - 5.0	d + 5.0	0.40	
25081	> 50	2.50 _{-0.05}	8.1 ^{+0.1}	D - 5.0	d + 5.0	0.40	
25097	> 50	2.50 _{-0.05}	9.7 ^{+0.1}	D - 5.0	d + 5.0	0.40	
25150	> 50	2.50 _{-0.05}	15.0 ^{+0.2}	D - 5.0	d + 5.0	0.40	
25200	> 50	2.50 _{-0.05}	20.0 ^{+0.2}	D - 5.0	d + 5.0	0.40	
25250	> 50	2.50 _{-0.05}	25.0 ^{+0.2}	D - 5.0	d + 5.0	0.40	
25300	> 50	2.50 _{-0.05}	30.0 ^{+0.2}	D - 5.0	d + 5.0	0.40	



For surface finish, lead in chamfer and other installation dimensions see „General installation guidelines“.

Ordering example piston guidance

Mating surface	steel
Surface	smooth
Piston diameter	80 mm
Groove	2.5 × 9.7 mm
a) by the metre	FS 0000 052 25097 A (9.7 × 2.5)
b) cut to length	FS 0000 052 25097 A (9.7 × 2.5 × 239)
FS	Profile
0800	Piston diameter × 10 (by the metre: 0000)
052	Compound
25097	Series no.

7.1 Conversion tables

		Atmo- sphere	bar	Inches of mercury	Inches of water	Millime- tres of mercury (Torr)	Millime- tres of water	kPa	MPa	N/m ² (Pa)	psi
Atmo- sphere	by	1	1.0133	29.9210	4.0678 × 10 ⁻²	7.6000 × 10 ⁻²	1.0332 × 10 ⁻⁴	1.0133 × 10 ⁻²	1.0133 × 10 ⁻¹	1.0133 × 10 ⁻⁵	14.6960
bar	by	9.8692 × 10 ⁻¹	1	29.5300	4.0146 × 10 ⁻²	7.5006 × 10 ⁻²	1.0197 × 10 ⁻⁴	1.0000 × 10 ⁻²	1.0000 × 10 ⁻¹	1.0000 × 10 ⁻⁵	14.5038
Inches of mercury	by	3.3421 × 10 ⁻²	3.3864 × 10 ⁻²	1	13.5950	25.4000	3.4532 × 10 ⁻²	3.3864	3.3864 × 10 ⁻³	3.3864 × 10 ⁻³	4.9116 × 10 ⁻¹
Inches of water	by	2.4584 × 10 ⁻³	2.4840 × 10 ⁻³	7.3556 × 10 ⁻²	1	1.8685	25.4000	2.4910 × 10 ⁻¹	2.4610 × 10 ⁻⁴	2.4910 × 10 ⁻²	3.6128 × 10 ⁻²
Millime- tres of mercury (Torr)	by	1.3158 × 10 ⁻³	1.3332 × 10 ⁻³	3.9370 × 10 ⁻²	5.3520 × 10 ⁻¹	1	13.5950	1.3332 × 10 ⁻¹	1.3332 × 10 ⁻⁴	1.3332 × 10 ⁻²	1.9337 × 10 ⁻²
Millime- tres of water	by	9.6787 × 10 ⁻⁵	9.8068 × 10 ⁻⁵	2.8959 × 10 ⁻³	3.9370 × 10 ⁻²	7.3556 × 10 ⁻²	1	9.8068 × 10 ⁻³	9.8068 × 10 ⁻⁶	9.8068	1.4223 × 10 ⁻³
kPa	by	9.8692 × 10 ⁻³	1.0000 × 10 ⁻²	2.9530 × 10 ⁻¹	4.0146	7.5006	1.0197 × 10 ⁻²	1	1.0000 × 10 ⁻³	1.0000 × 10 ⁻³	1.4504 × 10 ⁻¹
MPa	by	9.8692	10.0000	2.9530 × 10 ⁻²	4.0146 × 10 ⁻³	7.5006 × 10 ⁻³	1.0197 × 10 ⁻⁵	1.0000 × 10 ⁻³	1	1.0000 × 10 ⁻⁶	1.4504 × 10 ⁻²
N/m ² (Pa)	by	9.8692 × 10 ⁻⁶	1.0000 × 10 ⁻⁵	2.9530 × 10 ⁻⁴	4.0146 × 10 ⁻³	7.5006 × 10 ⁻³	1.0197 × 10 ⁻¹	1.0000 × 10 ⁻³	1.0000 × 10 ⁻⁶	1	1.4504 × 10 ⁻⁴
psi	by	6.8046 × 10 ⁻²	6.8947 × 10 ⁻²	2.0360	27.6810	51.7144	7.0310 × 10 ⁻²	6.8948	6.8948 × 10 ⁻³	6.8948 × 10 ⁻³	1

Tab. 7.1 Pressure conversion

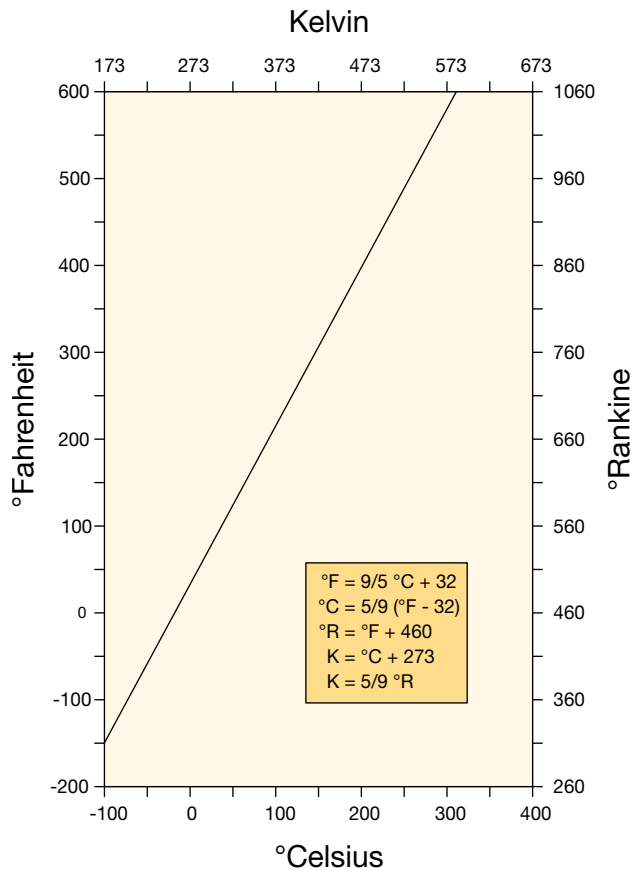


Fig. 7.1 Temperature conversion

7 Appendices

7.2 Leak rate equivalents

cc/s	mbar l/s	Torr l/s	Pa m ³ /s	Approximate equivalent	Approximate 1 mm ³ bubble equivalent
1	1.01	7.6 × 10 ⁻¹	1.01 × 10 ⁻¹	2 × 10 ⁻³ SCFM	Steady stream
1 × 10 ⁻¹	1.01 × 10 ⁻¹	7.6 × 10 ⁻²	1.01 × 10 ⁻²	1 cc every 10 seconds	Steady stream
1 × 10 ⁻²	1.01 × 10 ⁻²	7.6 × 10 ⁻³	1.01 × 10 ⁻³	1 cc every 100 seconds	10 per second
1 × 10 ⁻³	1.01 × 10 ⁻³	7.6 × 10 ⁻⁴	1.01 × 10 ⁻⁴	3 cc per hour	1 per second
1 × 10 ⁻⁴	1.01 × 10 ⁻⁴	7.6 × 10 ⁻⁵	1.01 × 10 ⁻⁵	1 cc every 3 hours	1 every 10 seconds
1 × 10 ⁻⁵	1.01 × 10 ⁻⁵	7.6 × 10 ⁻⁶	1.01 × 10 ⁻⁶	1 cc every 24 hours	1 every 100 seconds
1 × 10 ⁻⁶	1.01 × 10 ⁻⁶	7.6 × 10 ⁻⁷	1.01 × 10 ⁻⁷	1 cc every 2 weeks	3 per hour
1 × 10 ⁻⁷	1.01 × 10 ⁻⁷	7.6 × 10 ⁻⁸	1.01 × 10 ⁻⁸	3 cc every 3 years	Bubbles too infrequent to observe
1 × 10 ⁻⁸	1.01 × 10 ⁻⁸	7.6 × 10 ⁻⁹	1.01 × 10 ⁻⁹	1 cc every 3 years	
1 × 10 ⁻⁹	1.01 × 10 ⁻⁹	7.6 × 10 ⁻¹⁰	1.01 × 10 ⁻¹⁰	1 cc every 30 years	
1 × 10 ⁻¹⁰	1.01 × 10 ⁻¹⁰	7.6 × 10 ⁻¹¹	1.01 × 10 ⁻¹¹	1 cc every 300 years	
1 × 10 ⁻¹¹	1.01 × 10 ⁻¹¹	7.6 × 10 ⁻¹²	1.01 × 10 ⁻¹²	1 cc every 3000 years	

Tab. 7.2 Leak rate equivalent

7.3 Application data sheet

If you require assistance, please photocopy these three pages. Fill in the required information and fax to +32 3 888 48 62 or e-mail to packing-europe@parker.com. Use the information below and other information in this catalogue to determine the dimensions needed. We will contact you to discuss your specific application and make recommendations. If you require assistance in completing this form, please call our consultancy service at +32 3 880 81 50.

Parker Hannifin Corporation

Advanced Products N.V.

Rupelweg 9

2850 Boom

Belgium

Tel. +32 3 880 81 50

Fax +32 3 888 48 62

www.parker.com

Referred by

Lead #

To be completed by Parker

Project #

Date Entered

Date Required

Prepared by

Territory Mgr.

Distributor

Dist Sales

Company	Fax number	
Address	P.O. Box	Mail stop
City State	Postal code	Country
Contact Title	Phone	Ext
Alt. contact Title	Phone	Ext
	E-mail	

Equipment/application	Model no.
Existing seal manufacturer	Part no.
Customer	Part no.

Reason for change Performance Delivery New application Price

Current price@ pcs. Monthly usage Hours operation Hours serv. life.

Target price@ pcs. Quote qty. Proto qty. Date proto req'd.

Special inspection requirements Yes No Special packaging requirements Yes No

Explain

Motion

Static Reciprocating Oscillatory Rotary

Product type

Rod/shaft Wiper

Piston Bearing/guiding type

Internal face Non-seal

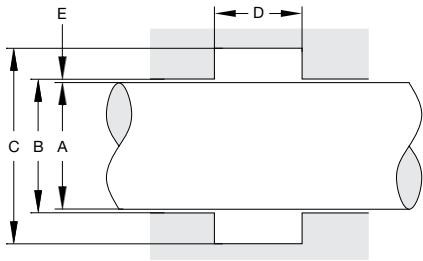
External face

7 Appendices

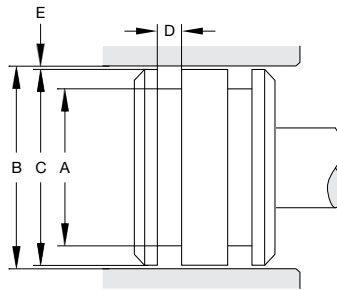
Operating parameters	Unit (circle one)			Minimum	Operating	Maximum
	°K	°F	°C			
Temperature	°K	°F	°C
Pressure	Psi	bar	MPa
Stroke length (reciprocating)	Inch	mm	
Cycle rate	/min	/hr	Hz
Degree of arc oscillating	Degrees		
Velocity	ft/s	m/s	
Vacuum	in.Hg	Torr	

Media to be sealed

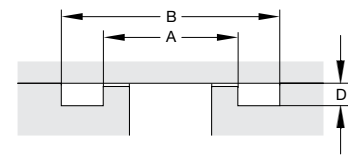
Rod



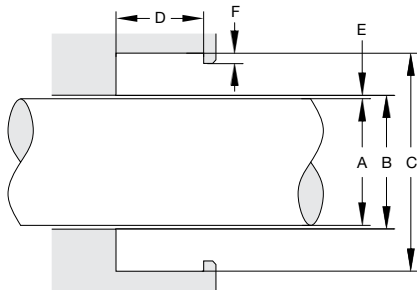
Piston



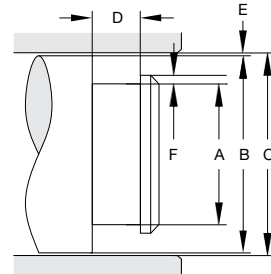
Face seal



Other rod



Other piston



Hardware specifications

Hardware specifications	Hardware drawings included		<input type="checkbox"/> Yes	<input type="checkbox"/> No	
A Diameter	Min.	Max.	Hardness	Finish	Mat'l
B Diameter	Min.	Max.	Hardness	Finish	Mat'l
C Diameter	Min.	Max.	Hardness	Finish	Mat'l
D Groove width	Min.	Max.	Can hardware be changed <input type="checkbox"/> Yes <input type="checkbox"/> No		
E Radial clearance	Min.	Max.	How?		
F Rod/piston step height	Min.	Max.			
Side load	<input type="checkbox"/> lbs	<input type="checkbox"/> N			

Groove type

- Split Open Yes
 Closed Stepped No

Metric

Performance requirements

- Breakout Friction
- lbs N
 Dynamic Friction
- lbs N
 Expected Life
- cyc hrs yrs
 Max. leakage
- Most critical aspect
- Contamination

Parker Prädifa worldwide

Europe, Middle East, Africa

AE – United Arab Emirates, Dubai

Tel: +971 4 8127100
parker.me@parker.com

AT – Austria, Wiener Neustadt

Tel: +43 (0)2622 23501-0
parker.austria@parker.com

AT – Eastern Europe, Wiener Neustadt

Tel: +43 (0)2622 23501 900
parker.easteurope@parker.com

AZ – Azerbaijan, Baku

Tel: +994 50 2233 458
parker.azerbaijan@parker.com

BE/LU – Belgium, Nivelles

Tel: +32 (0)67 280 900
parker.belgium@parker.com

BG – Bulgaria, Sofia

Tel: +359 2 980 1344
parker.bulgaria@parker.com

BY – Belarus, Minsk

Tel: +48 (0)22 573 24 00
parker.poland@parker.com

CH – Switzerland, Etoy

Tel: +41 (0)21 821 87 00
parker.switzerland@parker.com

CZ – Czech Republic, Klecany

Tel: +420 284 083 111
parker.czechrepublic@parker.com

DE – Germany, Kaarst

Tel: +49 (0)2131 4016 0
parker.germany@parker.com

DK – Denmark, Ballerup

Tel: +45 43 56 04 00
parker.denmark@parker.com

ES – Spain, Madrid

Tel: +34 902 330 001
parker.spain@parker.com

FI – Finland, Vantaa

Tel: +358 (0)20 753 2500
parker.finland@parker.com

FR – France, Contamine s/Arve

Tel: +33 (0)4 50 25 80 25
parker.france@parker.com

GR – Greece, Athens

Tel: +30 210 933 6450
parker.greece@parker.com

HU – Hungary, Budaörs

Tel: +36 23 885 470
parker.hungary@parker.com

IE – Ireland, Dublin

Tel: +353 (0)1 466 6370
parker.ireland@parker.com

IL – Israel, Tel: +39 02 45 19 21

parker.israel@parker.com

IT – Italy, Corsico (MI)

Tel: +39 02 45 19 21
parker.italy@parker.com

KZ – Kazakhstan, Almaty

Tel: +7 7273 561 000
parker.easteurope@parker.com

NL – The Netherlands, Oldenzaal

Tel: +31 (0)541 585 000
parker.nl@parker.com

NO – Norway, Asker

Tel: +47 66 75 34 00
parker.norway@parker.com

PL – Poland, Warsaw

Tel: +48 (0)22 573 24 00
parker.poland@parker.com

PT – Portugal

Tel: +351 22 999 7360
parker.portugal@parker.com

RO – Romania, Bucharest

Tel: +40 21 252 1382
parker.romania@parker.com

RU – Russia, Moscow

Tel: +7 495 645-2156
parker.russia@parker.com

SE – Sweden, Spånga

Tel: +46 (0)8 59 79 50 00
parker.sweden@parker.com

SK – Slovakia, Banská Bystrica

Tel: +421 484 162 252
parker.slovakia@parker.com

SL – Slovenia, Novo Mesto

Tel: +386 7 337 6650
parker.slovenia@parker.com

TR – Turkey, Istanbul

Tel: +90 216 4997081
parker.turkey@parker.com

UA – Ukraine, Kiev

Tel: +48 (0)22 573 24 00
parker.poland@parker.com

UK – United Kingdom, Warwick

Tel: +44 (0)1926 317 878
parker.uk@parker.com

ZA – South Africa, Kempton Park

Tel: +27 (0)11 961 0700
parker.southafrica@parker.com

North America

CA – Canada, Milton, Ontario

Tel: +1 905 693 3000

US – USA, Cleveland

Tel: +1 216 896 3000

Asia Pacific

AU – Australia, Castle Hill

Tel: +61 (0)2-9634 7777

CN – China, Shanghai

Tel: +86 21 2899 5000

HK – Hong Kong

Tel: +852 2428 8008

IN – India, Mumbai

Tel: +91 22 6513 7081-85

JP – Japan, Tokyo

Tel: +81 (0)3 6408 3901

KR – South Korea, Seoul

Tel: +82 2 559 0400

MY – Malaysia, Shah Alam

Tel: +60 3 7849 0800

NZ – New Zealand, Mt Wellington

Tel: +64 9 574 1744

SG – Singapore

Tel: +65 6887 6300

TH – Thailand, Bangkok

Tel: +662 186 7000

TW – Taiwan, Taipei

Tel: +886 2 2298 8987

South America

AR – Argentina, Buenos Aires

Tel: +54 3327 44 4129

BR – Brazil, Sao Jose dos Campos

Tel: +55 800 727 5374

CL – Chile, Santiago

Tel: +56 2 623 1216

MX – Mexico, Toluca

Tel: +52 72 2275 4200



WARNING:

These products can expose you to chemicals including carbon black (airborne and extracts), antimony trioxide, titanium dioxide, silica (crystalline), di(2-ethylhexyl)phthalate, ethylene thiourea, acrylonitrile, 1,3-butadiene, epichlorohydrin, toluenediisocyanate, tetrafluoroethylene, ethylbenzene, formaldehyde, furfuryl alcohol, glass fibers, methyl isobutyl ketone, nickel (metallic and compounds), lead and lead compounds which are known to the State of California to cause cancer; and 1,3-butadiene, epichlorohydrin, di(2-ethylhexyl)phthalate, di-isodecyl phthalate, ethylene thiourea, methyl isobutyl ketone, methanol, toluene, lead and lead compounds which are known to the State of California to cause birth defects and other reproductive harm. For more information go to www.P65Warnings.ca.gov.